

[Please note – diagrams may not redline perfectly due to software limitations]



Bulk Electric System Definition Reference Document

Version 3 | August 2018

This technical reference was created to assist entities in applying the Bulk Electric System (“BES”) definition. It should be read in concert with the complete definition, found in the [NERC Glossary of Terms](#), and any guidance issued by the ERO. The process for handling requests for exceptions to the definition is found in Appendix 5C of the NERC Rules of Procedure.

RELIABILITY | ACCOUNTABILITY



Formatted: Border: Bottom: (No border)

Style Definition: List Bullet: No bullets or numbering

Style Definition: Caption: Font: Tahoma, 11 pt, Font color: Auto, Centered, Space After: 6 pt

Formatted: Top: 0.38"

Formatted: Border: Top: (Single solid line, Accent 1, 1.5 pt line width)

Formatted: Font: Bold

Formatted: Border: Bottom: (No border)

Bulk Electric System Definition Reference Document

Version 2 | April 2014

This technical reference was created by the Definition of Bulk Electric System drafting team to assist entities in applying the definition. It should be read in concert with the complete definition, found in the [NERC Glossary of Terms](#), and any guidance issued by the ERO. The process for handling requests for exceptions to the definition is found in Appendix 5c of the NERC Rules of Procedure. Both the NERC Glossary of Terms and Rules of Procedure are posted on the [NERC website](#).

RELIABILITY | ACCOUNTABILITY



3353 Peachtree Road NE
Suite 600, North Tower
Atlanta, GA 30326
800.446.2560 | www.nerc.com

Formatted: Border: Top: (Single solid line, Accent 1, 1.5 pt Line width)

Formatted: Font: Bold

Table of Contents

Introduction.....	iii
Disclaimer	iii
Background	iii
Purpose	iii
Definition	iii
Summary.....	v
List of Figures.....	vii
Chapter I: BES Inclusions	10
Chapter I1: BES Inclusion.....	2
Chapter I2: BES Inclusion.....	5
Chapter I3: BES Inclusion.....	20
Chapter I4: BES Inclusion.....	21
Chapter I5: BES Inclusion.....	29
Chapter E: Exclusions.....	32
Chapter E1: BES Exclusion	33
E1.a: Serves Load Only.....	37
E1.b: Generation Only.....	42
E1.c: Generation and Serves Load	56
Normally Open Switching Device.....	66
Chapter E2: BES Exclusion	75
Chapter E3: BES Exclusion	85
Chapter E4: BES Exclusion	108
Chapter S: Hierarchical Application of the Definition	110
Chapter 6: Availability of Exception Process	127
Version History	128
Table of Contents	3
Introduction.....	4
I. List of Figures	8
II. Inclusions	10
III. Exclusions.....	27
IV. Hierarchical Application of the Definition	68
V. Availability of Exception Process	84
VI. Version History.....	85

Formatted: Table of Contents Title Style, Left

Formatted

Formatted: Normal, Level 2

Formatted: Justified

Formatted: Border: Top: (Single solid line, Accent 1, 1.5 pt Line width)

Introduction

During the course of Project 2010–17 Definition of Bulk Electric System (DBES), several commenters requested that the Standard Drafting Team (SDT) create a reference document explaining how the revised [Bulk Electric System \(BES\)](#) definition should be applied. This document is intended to provide such a reference [and has been updated by the Bulk Electric System Exception Process Working Group \(BEPWG\) to reflect experiences from initial implementation of the BES definition.](#)

Formatted: Default Paragraph Font

Formatted: Default Paragraph Font, Font: (Default) Tahoma, 16 pt, Font color: Accent 1

Disclaimer

This document is not an official position of NERC and will not be binding on enforcement decisions of the NERC Compliance Monitoring and Enforcement Program. This reference document reflects the professional opinion of the DBES SDT [and BEPWG](#), given in good faith for illustrative purposes only.

Formatted: Justified

Background

On November 18, 2010, FERC issued Order No. 743 and directed NERC to revise the definition of the [Bulk Electric System \(BES\)](#) so that the definition encompasses all Elements and Facilities necessary for the reliable operation and planning of the interconnected [bulk power system](#). ~~Bulk Power System~~. The revisions to the definition were developed in two phases. The final revised definition was approved by the Federal Energy Regulatory Commission (FERC or the Commission) on March 20, 2014.

Formatted: Font: Bold, Not Italic

Purpose

The purpose of this document is to assist the industry with the application of the revised definition. Examples are provided where appropriate but should not be considered as all-inclusive. The document is intended to provide clarification and explanations for the application of the revised definition in a consistent, continent-wide basis for the majority of BES Elements.

Definition

Bulk Electric System (BES): Unless modified by the lists shown below, all Transmission Elements operated at 100 kV or higher and Real Power and Reactive Power resources connected at 100 kV or higher. This does not include facilities used in the local distribution of electric energy.

Inclusions:

I1: Transformers with the primary terminal and at least one secondary terminal operated at 100 kV or higher unless excluded by application of Exclusion E1 or E3.

I2: Generating resource(s) including the generator terminals through the high-side of the step-up transformer(s) connected at a voltage of 100 kV or above with:

- Gross individual nameplate rating greater than 20 MVA. Or,
- Gross plant/facility aggregate nameplate rating greater than 75 MVA.

I3: Blackstart Resources identified in the Transmission Operator's restoration plan.

I4: Dispersed power producing resources that aggregate to a total capacity greater than 75 MVA (gross nameplate rating), and that are connected through a system designed primarily for delivering such capacity to a common point of connection at a voltage of 100 kV or above. Thus, the facilities designated as BES are:

- The individual resources, and

Formatted: Indent: Left: 0.25"

Formatted: Justified

Formatted: Indent: Left: 0.25"

- The system designed primarily for delivering capacity from the point where those resources aggregate to greater than 75 MVA to a common point of connection at a voltage of 100 kV or above.

I5:—Static or dynamic devices (excluding generators) dedicated to supplying or absorbing Reactive Power that are connected at 100 kV or higher, or through a dedicated transformer with a high-side voltage of 100 kV or higher, or through a transformer that is designated in Inclusion I1 unless excluded by application of Exclusion E4.

Formatted: Justified

Exclusions:

E1:— Radial systems: A group of contiguous transmission Elements that emanates from a single point of connection of 100 kV or higher and:

- Only serves Load. Or,
- Only includes generation resources, not identified in Inclusions I2, I3, or I4, with an aggregate capacity less than or equal to 75 MVA (gross nameplate rating). Or,
- Where the radial system serves Load and includes generation resources, not identified in Inclusions I2, I3, or I4, with an aggregate capacity of non-retail generation less than or equal to 75 MVA (gross nameplate rating).

Formatted: Justified, Indent: Left: 0.25"

Note 1:— A normally open switching device between radial systems, as depicted on prints or one-line diagrams for example, does not affect this exclusion.

Formatted: Justified, Indent: Left: 0.75"

Note 2:— The presence of a contiguous loop, operated at a voltage level of 50 kV or less, between configurations being considered as radial systems, does not affect this exclusion.

E2:— A generating unit or multiple generating units on the customer's side of the retail meter that serve all or part of the retail Load with electric energy if: (i) the net capacity provided to the BES does not exceed 75 MVA, and (ii) standby, back-up, and maintenance power services are provided to the generating unit or multiple generating units or to the retail Load by a Balancing Authority, or provided pursuant to a binding obligation with a Generator Owner or Generator Operator, or under terms approved by the applicable regulatory authority.

Formatted: Justified

E3:— Local networks (LN): A group of contiguous transmission Elements operated at less than 300 kV that distribute power to Load rather than transfer bulk power across the interconnected system. -LN's emanate from multiple points of connection at 100 kV or higher to improve the level of service to retail customers and not to accommodate bulk power transfer across the interconnected system. The LN is characterized by all of the following:

- Limits on connected generation: The LN and its underlying Elements do not include generation resources identified in Inclusions I2, I3, or I4 and do not have an aggregate capacity of non-retail generation greater than 75 MVA (gross nameplate rating);
- Real Power flows only into the LN and the LN does not transfer energy originating outside the LN for delivery through the LN; and
- Not part of a Flowgate or transfer path: The LN does not contain any part of a permanent Flowgate in the Eastern Interconnection, a major transfer path within the Western Interconnection, or a comparable monitored Facility in the ERCOT or Quebec Interconnections, and is not a monitored Facility included in an Interconnection Reliability Operating Limit (IROL).

Formatted: Justified, Indent: Left: 0.25"

E4:— Reactive Power devices installed for the sole benefit of a retail customer(s).

Formatted: Justified

Note:— Elements may be included or excluded on a case-by-case basis through the Rules of Procedure exception process.

Summary

An understanding of the core definition and each Inclusion and Exclusion is necessary to accurately and consistently apply the BES definition. (It should be noted that the BES definition applies to acAC and dcDC electrical facilities.) The BES definition is a component-based definition that, when appropriately applied, assesses whether facilities fall within the “bright-line” criteria established in the core definition, its inclusions, and/or its exclusions. Ownership or operational responsibilities do not impact the application of the BES definition. As reflected in Order No. 773, “the NERC registration process uses element criteria to identify and register functional entities, not the actual equipment. In contrast, the focus of the bright-line definition is the facilities, not the owners or operators of the facilities.”¹ The application of the bright-line “bright line” BES definition is a three-step process that, when appropriately applied, will identify the vast majority of BES Elements in a consistent manner that can be applied on a continent-wide basis.

FERC Order No. 773 directed implementation of the revised BES definition to take into account the impact of sub-100 kV looped Facilities regardless of voltage level. This altered previous guidance on the evaluation of radial systems. The drafting team developed a technical justification setting a threshold of 50 kV as the value where looped facilities had potential impact on the BES, i.e., if a looped Facility was below 50 kV, an entity could still apply Exclusion E1 as it was shown that looped facilities below 50 kV had no impact on the reliability of the BES. Configurations as shown in the diagrams dealing with the radial system and local network exclusions as well as the system diagrams reflect this finding.

STEP 1: CORE DEFINITION—The core definition is used to establish the bright-line of 100 kV, the overall demarcation point between BES and non-BES Elements. The core BES definition identifies the Real Power and Reactive Power resources connected at 100 kV or higher, as included in the BES. To fully appreciate the scope of the core definition, an understanding of the term “Element” is needed. “Element” is defined in the NERC Glossary as: “Any electrical device with terminals that may be connected to other electrical devices such as a generator, transformer, circuit breaker, bus section, or transmission line. An element may be comprised of one or more components.”

STEP 2: INCLUSIONS—This step involves applying the specific Inclusions and provides additional clarification for the purposes of identifying specific Elements that are included in the BES. The Inclusions address Transmission “Elements” and Real Power and Reactive Power resources with specific criteria to provide for a consistent determination of whether an Element is classified as BES or non-BES. There are five Inclusions in the Definition. The facilities described in Inclusions I1, I2, I4, and I5 are each operated (if transformers—Inclusion I1) or connected (if generating resources, dispersed power producing resources, or Reactive Power resources—Inclusions I2, I4 and I5) at or above the 100 kV threshold. Inclusion I3 encompasses Blackstart Resources identified in a Transmission Operator’s restoration plan that, which are necessary for the reliable operation of the interconnection transmission system and should be included in the BES regardless of their size (MVA) or the voltage at which they are connected.

STEP 3: EXCLUSIONS—This step evaluates specific situations for potential exclusion from the BES. The exclusion language is written to specifically identify Elements or groups of Elements for exclusion from the BES. Step three (3) should be applied in the following sequence:

Exclusion E2 (Behind-the-Meter Generation) provides for the specific exclusion of certain Real Power resources that reside behind-the-retail meter (on the customer’s side) and supersedes the more general Inclusion I2

¹ Order No. 773, at P 94.

Formatted: Heading 1,Chapter Title, Space After: 6 pt

Formatted: Justified

Formatted: Font: 14 pt, Bold, Font color: Accent 6

Formatted: Justified

Formatted: Font: Bold

Formatted: Font: Bold

Formatted: Font: Bold

Summary

(Generating Resources). Behind-the-meter generation that meets these specific criteria ~~does~~ not affect reliability of the BES because the net capacity supplied to the BES is less than 75 MVA and the specific criteria impose obligations to support reliability when the resources are unavailable.

Exclusion E4 (Reactive Power Devices) provides for the specific exclusion of Reactive Power devices installed for the sole benefit of a retail customer(s) and supersedes the more general Inclusion I5 (Static or Dynamic Reactive Power Devices). Reactive Power devices installed for the sole benefit of a retail customer are, by definition, not required for operation of the interconnected transmission system.

Exclusion E3 (Local Networks) provides for the exclusion of local networks that meet the specific criteria identified in the exclusion language. Exclusion E3 does not allow for the exclusion of Real Power and Reactive Power resources captured by Inclusions I2 through I5. In instances where a transformer (under Inclusion I1) is an Element of a local network (under Exclusion E3), the transformer would be excluded pursuant to Exclusion E3. Exclusion E3 may not be used to exclude transmission Elements (captured by the core definition and Inclusion I1) when Real Power resources are present that are captured by Inclusion I2, I3, or I4. This assures that interconnection facilities for BES generators are not excluded.

Exclusion E1 (Radial Systems) provides for the exclusion of transmission Elements from radial systems that meet the specific criteria identified in the exclusion language. Exclusion E1 does not allow for the exclusion of Real Power and Reactive Power resources captured by Inclusions I2 through I5. In instances where a transformer (under Inclusion I1) is an Element of a radial system (under Exclusion E1), the transformer would be excluded pursuant to Exclusion E1. Exclusion E1 may not be used to exclude transmission Elements (captured by the core definition and Inclusion I1) when Real Power resources are present that are captured by Inclusion I2, I3, or I4. This assures that interconnection facilities for BES generators are not excluded.

This Reference Document has been divided into sections to accurately illustrate how specific parts of the definition are applied, and then how the hierarchical application of the definition is accomplished. ~~Chapter Section I is a list of figures. Sections II and Chapter EII,~~ [Chapter Section I](#) is a list of figures. ~~Sections II and Chapter EII,~~ [Sections II and Chapter EII](#), provide illustrative diagrams with accompanying text, where appropriate, describing the application of the BES definition ~~and~~ grouped according to the specific inclusion or exclusion. ~~Chapter 5 Section IV,~~ [Chapter 5 Section IV](#), provides a series of system diagrams that depict the hierarchical application of the definition. ~~Chapter 6 Section V,~~ [Chapter 6 Section V](#), establishes the linkage to the Rules of Procedure Exception Process.

Formatted: Font: Bold, Font color: Blue

Formatted: Font color: Blue

Formatted: Font color: Blue

Formatted: Font: Bold, Font color: Blue

Formatted: Font color: Blue

List of Figures

Formatted: No bullets or numbering

Figure I1.1: Typical Two Winding Transformer (BES)	3
Figure I1.2: Typical Three Winding Transformer (BES).....	3
Figure I1.3: Typical Two Winding Transformer (non-BES).....	4
Figure I1.4: Typical Three Winding Transformer (non-BES)	4
Figure I2.1: Point of Generator Aggregation/Interconnection.....	5
Figure I2.2: Single Generator (BES)	6
Figure I2.3: Single Generator (non-BES)	7
Figure I2.4: Single “Behind the Meter” Generator (BES).....	8
Figure I2.5: Single “Behind the Meter” Generator (non-BES)	8
Figure I2.6: Multiple Generators at a Single Plant/Facility (BES)	11
Figure I2.7: Multiple Generators at a Single Plant/Facility (BES and non-BES).....	12
Figure I2.8: Multiple “Behind the Retail Meter” Generators at a Single Plant/Facility (BES)	13
Figure I2.9: Multiple “Behind the Retail Meter” Generators at a Single Plant/Facility (BES and non-BES)	15
Figure I2.10: Multiple Generators at a Single Plant/Facility (BES)	17
Figure I2.11: Multiple Generators at a Single Plant/Facility (BES and non-BES)	19
Figure I4.1 Dispersed Generation Site (Single Voltage Transformation)—Wind Farm	23
Figure I4.2: Dispersed Generation Site (Unknown Collector System Configuration)—Wind Farm	24
Figure I4.3 Dispersed Generation Site with Multiple Owners (Unknown Collector System Configuration)—Wind Farm.....	25
Figure I4.4: Dispersed Generation Site (Single Voltage Transformation)—Solar Array	26
Figure I4.5: Dispersed Generation Site (Multiple Voltage Transformations)—Solar Array	27
Figure I4.6: Dispersed Generation Site with Multiple Owners (Unknown Collector System Configuration)—Solar Array	28
Figure I5.1: Reactive Resources (BES and non-BES)	31
Figure E1.1: Radial System—Serving Only Load	37
Figure E1.2: Multiple Radial Systems (Underlying Loop Facilities < 50 kV).....	38
Figure E1.3: Impact of Sub-100 kV Looped Facilities.....	39
Figure E1.4: Impact of Sub-100 kV Looped Facilities with Multiple Points of Connection	40
Figure E1.5: Radial System—Single BES Generation Resource	42
Figure E1.6: Radial System—Single non-BES Generation Resource.....	44
Figure E1.7: Radial System—Blackstart Resource	47
Figure E1.8: Radial System—Multiple (BES and non-BES) Generation Resources (Non-Retail)	49
Figure E1.9: Radial System—Multiple (non-BES) Generation Resources (Non-Retail)	51
Figure E1.10: Radial System—Multiple (non-BES) Generation Resources (Non-Retail)	53
Figure E1.11: Radial System—Multiple (non-BES) Generation Resources (Retail and Non-Retail)	55
Figure E1.12: Radial System—Generation Resource (Non-Retail) and Serving Load.....	58
Figure E1.13: Radial System—Generation Resource (Non-Retail) and Serving Load.....	59
Figure E1-14: Radial System—Generation Resource (Non-Retail) and Serving Load	61
Figure E1-15: Radial System—Generation Resource (Non-Retail) and Serving Load	63
Figure 1.16: Radial System—Generation Resource (Retail and Non-Retail) and Serving Load.....	65
Figure E1.17: Radial System—Normally Open Switching Device between Load Serving Radial Systems	66
Figure E1.18: Radial System—Normally Open Switching Device between Load Serving Radial Systems with a < 50 kV Loop	68
Figure E1.19: Impact of Sub-100 kV Looped Facilities (Switching Devices Identified N.O. > 100 kV and N.C. < 100 kV and > 50 kV).....	70
Figure E1.20: Impact of Sub-100 kV Looped Facilities with Multiple Points of Connection—Normally Open Switching Device between Sub-100 kV Looped Facilities	72

List of Figures

Figure E1.21 Radial System—Normally Closed Switching Device (> 100 kV) between Load Serving Radial Systems with a < 50 kV Loop	73
Figure E1.22: Impact of Sub-100 kV Looped Facilities (Switching Devices Identified N.C. > 100 kV and N.C. < 100 kV and > 50 kV)	74
Figure E2.1: Behind-the-Meter Generation—Net Capacity to the BES Less Than 75 MVA	79
Figure E2.2: Behind-the-Meter Generation—Net Capacity to the BES Greater Than 75 MVA	81
Figure E2.3: Behind-the-Meter Generation (Multiple Units)—Net Capacity to the BES Greater Than 75 MVA	82
Figure E2.4: Behind-the-Meter Generation (Multiple Units/Multiple Levels of Voltage Transformation)—Net Capacity to the BES Greater Than 75 MVA	83
Figure E2.5: Behind-the-Meter Generation—Multiple Units Located at Multiple Generation Sites (Multiple Owners)	84
Figure E3.1: Local Network (non-BES) with Retail and Non-Retail Generation Resources and Serving Load	88
Figure E3.2: Local Network (BES) with Retail and Non-Retail Generation Resources and Serving Load	90
Figure E3.3: Local Network (BES) with Retail and Non-Retail Generation Resources and Serving Load	91
Figure E3.4: Local Network (non-BES) with Sub-100 kV Loop	93
Figure E3.5: Local Network (BES) with Sub-100 kV Loop	94
Figure E3.6: Local Network (non-BES) with Multiple Sub-100 kV Loops	99
Figure E3.7: Local Network (BES) with Multiple Sub-100 kV Loops	100
Figure E3.8: Local Network (non-BES) with Sub-100 kV Looped Facilities (Switching Devices Identified—N.O. > 100 kV and N.C. < 100 kV/> 50 kV)	101
Figure E3.9: Local Network (BES) with Sub-100 kV Looped Facilities (Switching Devices Identified—N.O. > 100 kV and N.C. < 100 kV/< 50 kV)	102
Figure E3.10: Local Network (non-BES) with Multiple Points of Connection—Normally Open Switching Device between Sub-100 kV Looped Facilities	103
Figure E3.11: Local Network (BES) with Multiple Points of Connection—Normally Open Switching Device between Sub-100 kV Looped Facilities	105
Figure E3.12: Local Network (non-BES) with Sub-100 kV Looped Facilities (Switching Devices Identified—N.C. > 100 kV and N.C. < 100 kV/> 50 kV)	106
Figure E3.13: Local Network (BES) with Sub-100 kV Looped Facilities (Switching Devices Identified—N.C. > 100 kV and N.C. < 100 kV/> 50 kV)	107
Figure S1.2: System Diagram—Assumptions	114
Figure S1.3: System Diagram—Application of ‘Core’ Definition	115
Figure S1.4: System Diagram—Application of Inclusion I1	116
Figure S1.5: System Diagram—Application of Inclusion I2	117
Figure S1.6: System Diagram—Application of Inclusion I3	118
Figure S1.7: System Diagram—Application of ‘Core’ Definition and Inclusions	119
Figure S1.8: System Diagram—Application of Exclusion E2	120
Figure S1.9a: System Diagram—Application of Exclusion E3 (Embedded Local Network)	122
Figure S1.9b: System Diagram—Application of Exclusion E3 (Embedded Radial Systems)	123
Figure S1.10: System Diagram—Application of Exclusion E1 (Part 1)	124
Figure S1.10a: System Diagram—Application of Exclusion E1 (Part 2)	125
Figure S1.11: System Diagram—Full Application of BES Definition	126

Chapter I: BES

Figure I1-1: Typical Two-Winding Transformer (BES).....	11
Figure I1-2: Typical Three-Winding Transformer (BES).....	11
Figure I1-3: Typical Two-Winding Transformer (non-BES).....	11
Figure I1-4: Typical Three-Winding Transformer (non-BES).....	12
Figure I2-1: Single Generator (BES).....	13
Figure I2-2: Single Generator (non-BES).....	14
Figure I2-3: Multiple Generators at a Single Site (BES).....	15
Figure I2-4: Multiple Generators at a Single Site (BES & non-BES).....	16
Figure I2-5: Multiple Generators at a Single Site (BES).....	17
Figure I2-6: Multiple Generators at a Single Site (BES & non-BES).....	18
Figure I4-1: Dispersed Generation Site (Single Voltage Transformation) – Wind Farm.....	21
Figure I4-2: Dispersed Generation Site (Unknown Collector System Configuration) – Wind Farm.....	22
Figure I4-3: Dispersed Generation Site (Single Voltage Transformation) – Solar Array.....	23
Figure I4-4: Dispersed Generation Site (Multiple Voltage Transformations) – Solar Array.....	24
Figure I5-1: Reactive Resources (BES & non-BES).....	26
Figure E1-1: Radial System: Serving Only Load.....	31
Figure E1-2: Multiple Radial Systems (Underlying Loop Facilities < 50 kV).....	32
Figure E1-3: Impact of Sub-100 kV Looped Facilities.....	33
Figure E1-4: Radial System: Single-BES Generation Resource.....	34
Figure E1-5: Radial System: Single non-BES Generation Resource.....	35
Figure E1-6: Radial System: Blackstart Resource.....	36
Figure E1-7: Radial System: Multiple (BES & non-BES) Generation Resources (Non-Retail).....	37
Figure E1-8: Radial System: Multiple (non-BES) Generation Resources (Non-Retail).....	38
Figure E1-9: Radial System: Multiple (non-BES) Generation Resources (Non-Retail).....	39
Figure E1-10: Radial System: Multiple (non-BES) Generation Resources (Retail & Non-Retail).....	40
Figure E1-11: Radial System: Generation Resource (Non-Retail) & Serving Load.....	41
Figure E1-12: Radial System: Generation Resource (Non-Retail) & Serving Load.....	42
Figure E1-13: Radial System: Generation Resource (Non-Retail) & Serving Load.....	43
Figure E1-14: Radial System: Generation Resource (Non-Retail) & Serving Load.....	44
Figure E1-15: Radial System: Generation Resource (Retail & Non-Retail) & Serving Load.....	45
Figure E1-16: Radial System: Normally Open Switching Device between Load Serving Radial Systems.....	46
Figure E1-17: Radial System: Normally Open Switching Device between Load Serving Radial Systems with a < 50 kV Loop.....	48
Figure E1-18: Impact of Sub-100 kV Looped Facilities (Switching Devices Identified N.O. > 100 kV & N.C. < 100 kV & > 50 kV).....	49
Figure E1-19: Radial System: Normally Closed Switching Device (> 100 kV) between Load Serving Radial Systems with a < 50 kV Loop.....	50

List of Figures

Figure E1-20: Impact of Sub-100 kV Looped Facilities (Switching Devices Identified N.C. > 100 kV & N.C. < 100 kV & > 50 kV).....	51
Figure E2-1: Behind the Meter Generation: Net Capacity to the BES Less Than 75 MVA.....	53
Figure E2-2: Behind the Meter Generation: Net Capacity to the BES Greater Than 75 MVA.....	54
Figure E3-1: Local Network (non-BES) with Retail & Non-Retail Generation Resources & Serving Load.....	57
Figure E3-2: Local Network (BES) with Retail & Non-Retail Generation Resources & Serving Load.....	58
Figure E3-3: Local Network (BES) with Retail & Non-Retail Generation Resources & Serving Load.....	59
Figure E3-4: Local Network (non-BES) with Sub-100 kV Loop.....	61
Figure E3-5: Local Network (BES) with Sub-100 kV Loop.....	62
Figure E3-6: Local Network (non-BES) with Sub-100 kV Looped Facilities (Switching Devices Identified: N.O. > 100 kV & N.C. < 100 kV/> 50 kV).....	63
Figure E3-7: Local Network (BES) with Sub-100 kV Looped Facilities (Switching Devices Identified: N.O. > 100 kV & N.C. < 100 kV/< 50 kV).....	64
Figure E3-8: Local Network (non-BES) with Sub-100 kV Looped Facilities (Switching Devices Identified: N.C. > 100 kV & N.C. < 100 kV/> 50 kV).....	65
Figure E3-9: Local Network (BES) with Sub-100 kV Looped Facilities (Switching Devices Identified: N.C. > 100 kV & N.C. < 100 kV/> 50 kV).....	66
Figure S1-1: System Diagram – Base Diagram.....	70
Figure S1-2: System Diagram – Assumptions.....	71
Figure S1-3: System Diagram – Application of ‘Core’ Definition.....	72
Figure S1-4: System Diagram – Application of Inclusion I1.....	73
Figure S1-5: System Diagram – Application of Inclusion I2.....	74
Figure S1-6: System Diagram – Application of Inclusion I3.....	75
Figure S1-7: System Diagram – Application of ‘Core’ Definition & Inclusions.....	76
Figure S1-8: System Diagram – Application of Exclusion E2.....	77
Figure S1-9: System Diagram – Application of Exclusion E3.....	78
Figure S1-9a: System Diagram – Application of Exclusion E3 (Embedded Local Network).....	79
Figure S1-9b: System Diagram – Application of Exclusion E3 (Embedded Radial Systems).....	80
Figure S1-10: System Diagram – Application of Exclusion E1 (Part 1).....	81
Figure S1-10a: System Diagram – Application of Exclusion E1 (Part 2).....	82
Figure S1-11: System Diagram – Full Application of BES Definition.....	83

Inclusions

Each inclusion is shown below with both text and diagrams explaining how to apply the BES definition for the specific configuration shown. These examples are not to be considered all-inclusive, and simply reflect the professional opinion of the DBES SDT and the BEPWG; they are provided in good faith for illustrative purposes only. [In several instances, the BEPWG has updated original diagrams and has also provided new diagrams based on experience gained from application of the BES definition. The applicable diagram descriptions have been revised to reflect the BEPWG contributions where substantive changes have been made to this document.](#) This document is not an official position of NERC and will not be binding on enforcement decisions of the NERC Compliance Monitoring and Enforcement Program.

The section on Inclusion I3 does not include diagrams, as there are no application configuration issues associated with it. Blackstart Resources are included in the BES regardless of configuration or location.

Diagrams only show application of the definition to the specific Element in question. For example, in Figure 2.4-1 below, only the windings of the transformer are shown as being included in the BES. The lines coming out of the transformer are not delineated as BES or non-BES, as no assumptions are being made as to where and how those lines connect in the big picture.

Key to diagram color coding:

- **Blue** indicates that an Element is included in the BES.
- **Green** indicates that an Element is not included in the BES.
- **Orange** indicates "points of connection."
- **Black** indicates Elements that are not evaluated for the specific inclusion depicted in the individual diagrams being shown.

Formatted: Font:

Formatted: Justified, Space After: 6 pt, No bullets or numbering

Formatted: Justified

Formatted: Justified, Space After: 6 pt

Formatted: Justified, Indent: Left: 0.25", Space Before: 6 pt

Formatted: Justified, Indent: Left: 0.25"

[Chapter 11:](#)



II.1 BES Inclusion I1

I1. Transformers with the primary terminal and at least one secondary terminal operated at 100 kV or higher unless excluded under Exclusion E1 [radial] or E3 [local network].

Note: Figures I1-1 through I1-4 are depictions of the application of Inclusion I1 and are intended to assist the user during the hierarchical application of the BES definition.

Figures I1-1 through I1-4 depict various types of transformers and operating configurations typically utilized in the electric utility industry.

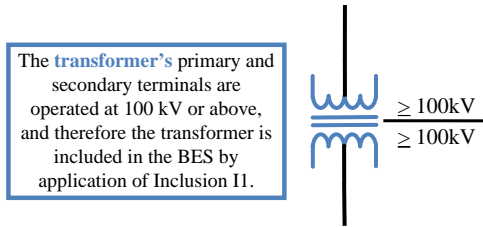


Figure I1-1: Typical Two Winding Transformer (BES)

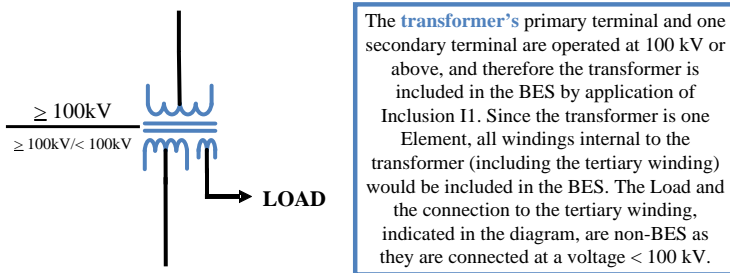
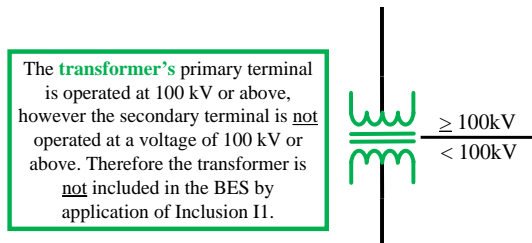


Figure I1-2: Typical Three Winding Transformer (BES)



Formatted: Font: Tahoma, Font color: Accent 1

Formatted: Heading 1, Chapter Title, Justified

Formatted: Justified

Formatted: Font: Font color: Auto

Formatted: Font: Bold, Font color: Blue

Formatted: Font: Bold, Font color: Blue

Formatted: Font: Font color: Auto

Formatted: Font: Bold, Font color: Blue

Formatted: Font: Bold, Font color: Blue

Formatted: Font: Font color: Auto

Formatted: Font: Bold, Font color: Blue

Formatted: Font: Font color: Blue

Formatted: Justified, Indent: Left: 0"

Formatted: Font: Bold, Font color: Blue

Formatted: Font: Bold, Font color: Blue

Formatted: Font: Font color: Blue

Formatted: Font: Bold, Font color: Blue

Formatted: Justified

Formatted: Font: Tahoma, Bold

Formatted: Justified

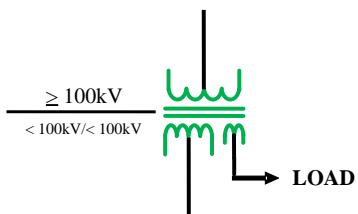
Formatted: Caption

Formatted: Justified

Formatted: Caption

Formatted: Justified

Figure I1.-3: Typical Two Winding Transformer (non-BES)



The transformer's primary terminal is operated at 100 kV or above, however neither of the secondary terminals are operated at a voltage of 100 kV or above. Therefore the transformer is not included in the BES by application of Inclusion I1. The Load and the connection to the tertiary winding, indicated in the diagram, are non-BES as they are connected at a voltage < 100 kV.

Formatted: Caption

Formatted: Justified

Figure I1.-4: Typical Three Winding Transformer (non-BES)

Formatted: Caption

Formatted: Justified

H-2 BES Inclusion I2

I2. Generating resource(s) including the generator terminals through the high-side of the step-up transformer(s) connected at a voltage of 100 kV or above with:

- a) Gross individual nameplate rating greater than 20 MVA. Or,
- b) Gross plant/facility aggregate nameplate rating greater than 75 MVA.

Note: [Figures I2.1 through I2.11-6](#) are depictions of the application of Inclusion I2 and are intended to assist the user during the hierarchical application of the BES definition.

[All generation that has such a common point of connection configuration is considered in calculating whether the threshold criteria is met without regard to ownership.](#)

[Inclusion I2 provides for the inclusion of the Real Power resources that can generally be categorized as large-scale power generation resources that utilize a variety of conventional fuel sources/supplies \(e.g., coal, natural gas, nuclear\) as well as non-conventional fuel sources/supplies \(e.g., biomass, wood pulp/byproducts, agricultural byproducts\).](#)

[Additionally, Inclusion I2 provides for the inclusion of the Real Power resources that reside behind the retail meter \(on the customer's side\), however the Real Power resource that resides behind the retail meter and meets the provisions of Inclusion I2 may be a candidate for exclusion based on the criteria established in Exclusion E2.](#)

Interpretation of the "or" statement in the inclusion definition is a hierarchical operator that has several steps as shown in the following diagrams.

The presence of a system service, a station service, or a generator auxiliary transformer does not affect the application of Inclusion I2. Transformers associated with system service, station service, or generator auxiliaries are evaluated under the core definition and Inclusion I1.

Note: [Figures I2.1 through I2.9](#): [Figure I2.1](#) depict the generator bus configuration and the point of aggregation/interconnection of the generation facility which is typically located on the generator site. [Generator Bus configurations vary by application and include but are not limited to the following: "single" bus configurations, "breaker, and a half" bus configurations, and "ring" bus configurations.](#)

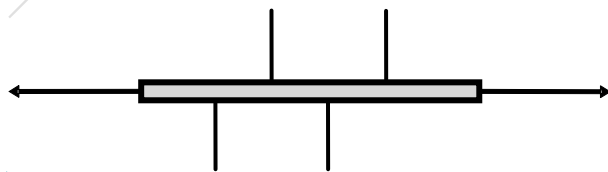


Figure I2.1: Point of Generator Aggregation/Interconnection

Formatted: Font: Tahoma, Font color: Accent 1

Formatted: Heading 1, Chapter Title, Justified, Indent: Left: 0", Hanging: 0.25", Space After: 6 pt

Formatted: Font: Not Bold

Formatted: Justified

Formatted: Font: Not Bold

Formatted: Font:

Formatted: List Bullet, Justified, Indent: Left: 0.25"

Formatted: Justified

Formatted: Font: Font color: Auto

Formatted: Font: Bold, Font color: Blue

Formatted: Font: Bold, Font color: Blue

Formatted: Font: Font color: Auto

Formatted: Font: Bold, Font color: Blue

Formatted: Font: Bold, Font color: Blue

Formatted: Font: Font color: Auto

Formatted: Font: Font color: Auto

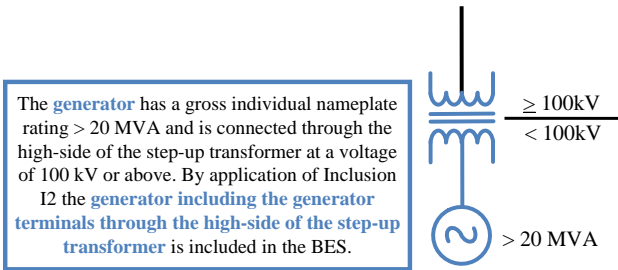
Formatted: List Paragraph, Justified

Field Code Changed

Formatted: Justified

Formatted: Border: Top: (Single solid line, Accent 1, 1.5 pt Line width)

Figure 12.2-1 depicts a single generator with gross individual nameplate rating greater than 20 MVA connected through the high-side of the step-up transformer connected at a voltage of 100 kV or above. By application of Inclusion I2, this generator is identified as a BES Element.



The generator has a gross individual nameplate rating $> 20\text{ MVA}$ and is connected through the high-side of the step-up transformer at a voltage of 100 kV or above. By application of Inclusion I2 the generator including the generator terminals through the high-side of the step-up transformer is included in the BES.

Figure 12.2-1: Single Generator (BES)

Formatted: Font color: Blue

Formatted: Caption

Formatted: Justified, Don't add space between paragraphs of the same style

Formatted: Font: Bold

Formatted: Border: Top: (Single solid line, Accent 1, 2.25 pt Line width)

Figure 12.3-2 depicts a single generator with gross individual nameplate rating less than 20 MVA connected through the high-side of the step-up transformer connected at a voltage of 100 kV or above. By application of I2, this generator is not a BES Element.

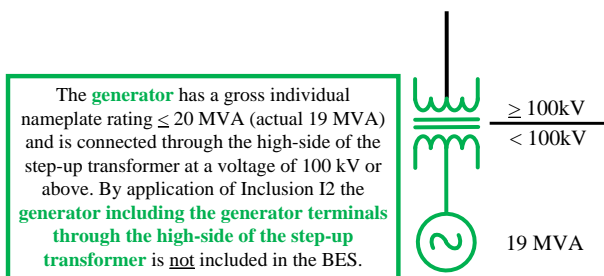


Figure 12.3-2: Single Generator (non-BES)

Formatted: Font color: Blue

Formatted: Justified

Formatted: Font color: Blue

Formatted: Caption

Formatted: Border: Top: (Single solid line, Accent 1, 2.25 pt Line width)

Figure 12.4 depicts a single “behind the retail meter” generator with a gross individual nameplate rating greater than 20 MVA connected through the high-side of the step-up transformer connected at a voltage of 100 kV or above. By application of Inclusion I2, this generator is identified as a BES Element. The generator may be a candidate for exclusion based on the criteria established in Exclusion E2.

Note: This is a new diagram, developed by the BEPWG, to provide clarification in the application of the BES definition.

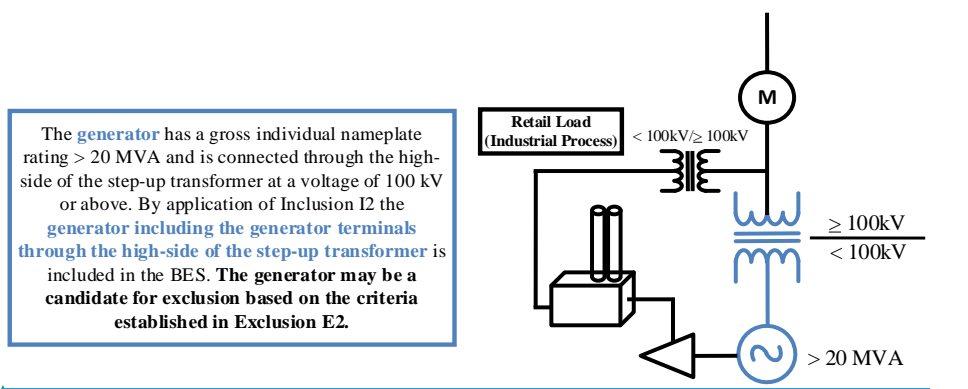


Figure 12.4: Single “Behind the Meter” Generator (BES)

Figure 12.5 depicts a single behind the retail meter generator with gross individual nameplate rating less than 20 MVA connected through the high-side of the step-up transformer connected at a voltage of 100 kV or above. By application of I2, this generator is not a BES Element.

Note: This is a new diagram, developed by the BEPWG, to provide clarification in the application of the BES definition.

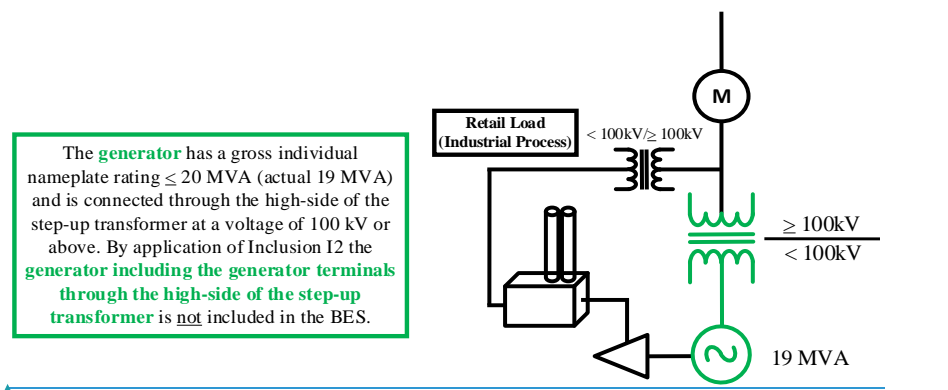


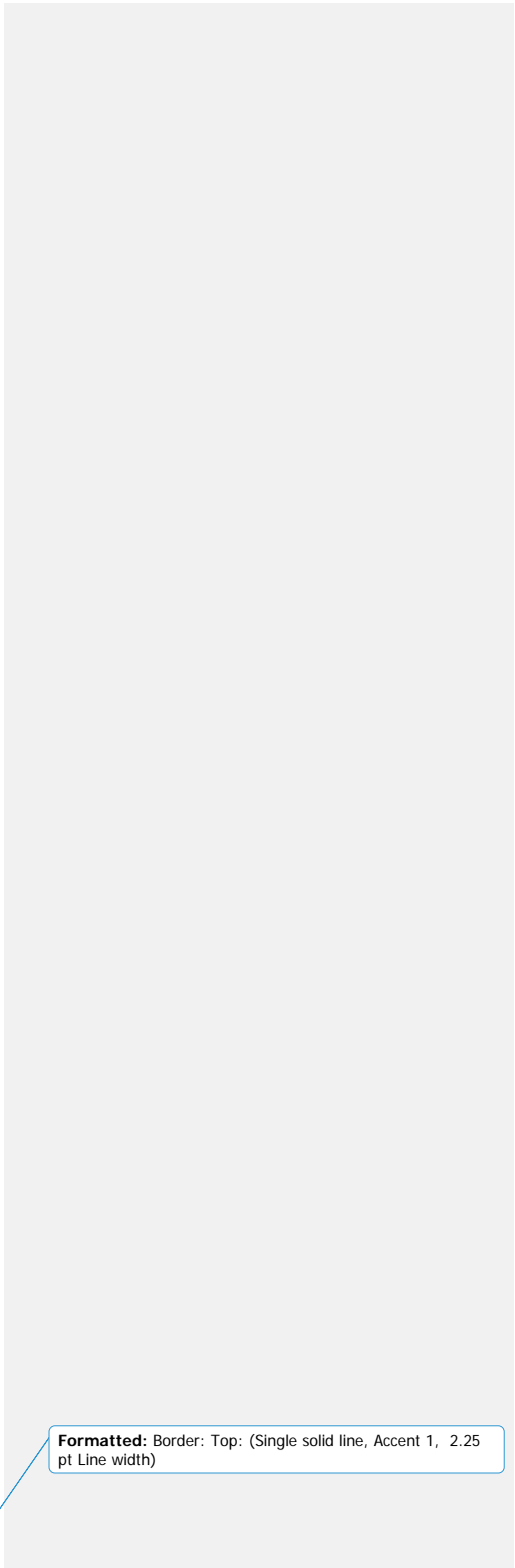
Figure 12.5: Single ‘Behind the Meter’ Generator (non-BES)

Field Code Changed

Field Code Changed

Formatted: Border: Top: (Single solid line, Accent 1, 2.25 pt Line width)

[Figure 12.6 depicts a plant/facility](#)



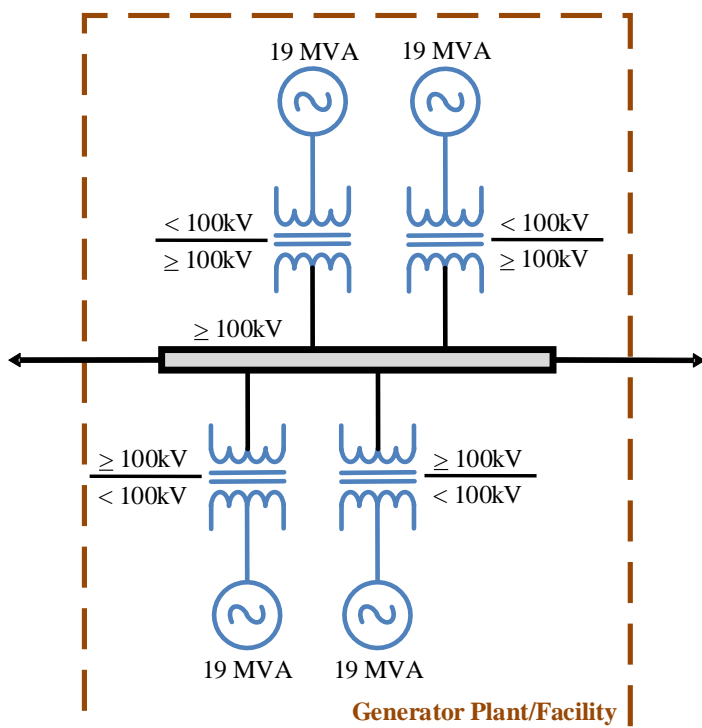
Formatted: Border: Top: (Single solid line, Accent 1, 2.25 pt Line width)

Figure 12-3 depicts a site with multiple generators connected through the high-side of the step-up transformer(s) at a voltage of 100 kV or above with a gross aggregate nameplate rating (connected @100 kV or above) greater than 75 MVA; therefore, by application of Inclusion I2, all of the generators (connected @100 kV or above) are included in the BES.

Formatted: Justified

Formatted: Font: Calibri

Note: This is an update that was developed by the BEPWG to the original diagram to provide clarification in the application of the BES definition.



Field Code Changed

The generation site has generation with a gross aggregate nameplate rating of 76 MVA connected through the high-side of the step-up transformers at a voltage of 100 kV or above. By application of Inclusion I2, the **generators including the generator terminals through the high-side of the step-up transformers** are included in the BES.

Formatted: Border: Top: (Single solid line, Accent 1, 2.25 pt Line width)

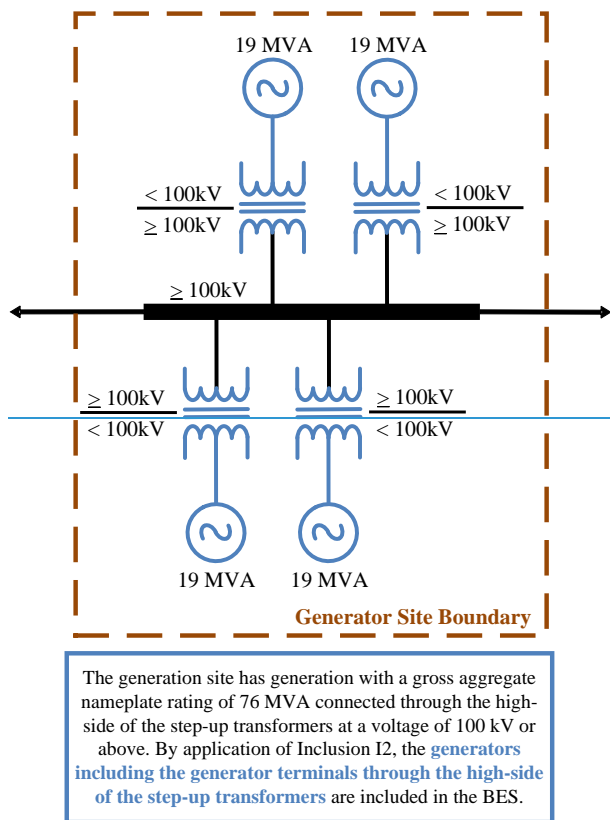


Figure 12.6-3: Multiple Generators at a Single Plant/Facility Site (BES)

Formatted: Caption

Formatted: Justified

Formatted: Border: Top: (Single solid line, Accent 1, 2.25 pt Line width)

Figure I2.7-4 depicts a plant/facility site with multiple generators connected through the high-side of the step-up transformer(s) at a voltage of 100 kV or above with an aggregate nameplate rating (connected @100 kV or above) of less than 75 MVA. By application of Inclusion I2, only generators with a gross nameplate rating greater than 20 MVA connected through the high-side of the step-up transformer(s) at a voltage of 100 kV or above are included in the BES.

Note: This is an update that was developed by the BEPWG to the original diagram to provide clarification in the application of the BES definition.

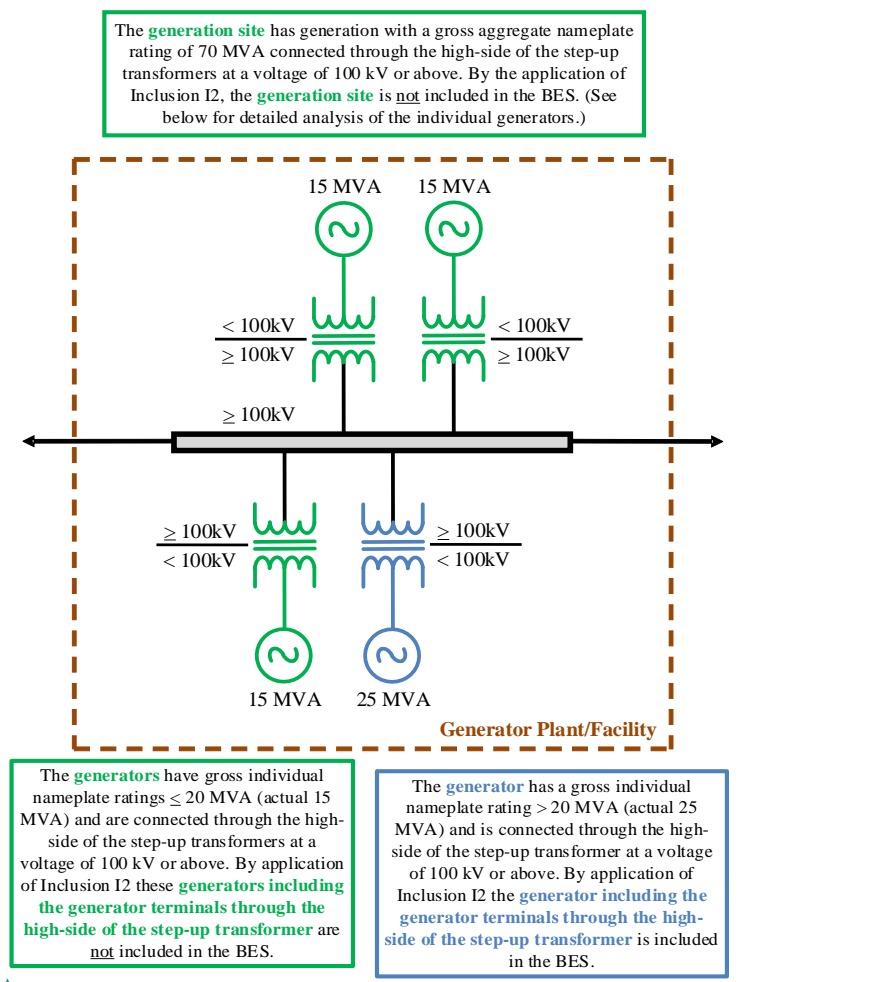


Figure I2.7: Multiple Generators at a Single Plant/Facility (BES and non-BES)

Formatted: Font color: Blue
Formatted: Font color: Blue

Field Code Changed

Formatted: Border: Top: (Single solid line, Accent 1, 2.25 pt Line width)

Figure 12.8 depicts a plant/facility with multiple behind the retail meter generators connected through the high-side of the step-up transformer(s) at a voltage of 100 kV or above with a gross aggregate nameplate rating (connected @100 kV or above) greater than 75 MVA; therefore, by application of Inclusion I2, both of the generators (connected @100 kV or above) are included in the BES. The generators may be candidates for exclusion based on the criteria established in Exclusion E2.

Note: This is a new diagram that was developed by the BEPWG to provide clarification in the application of the BES definition.

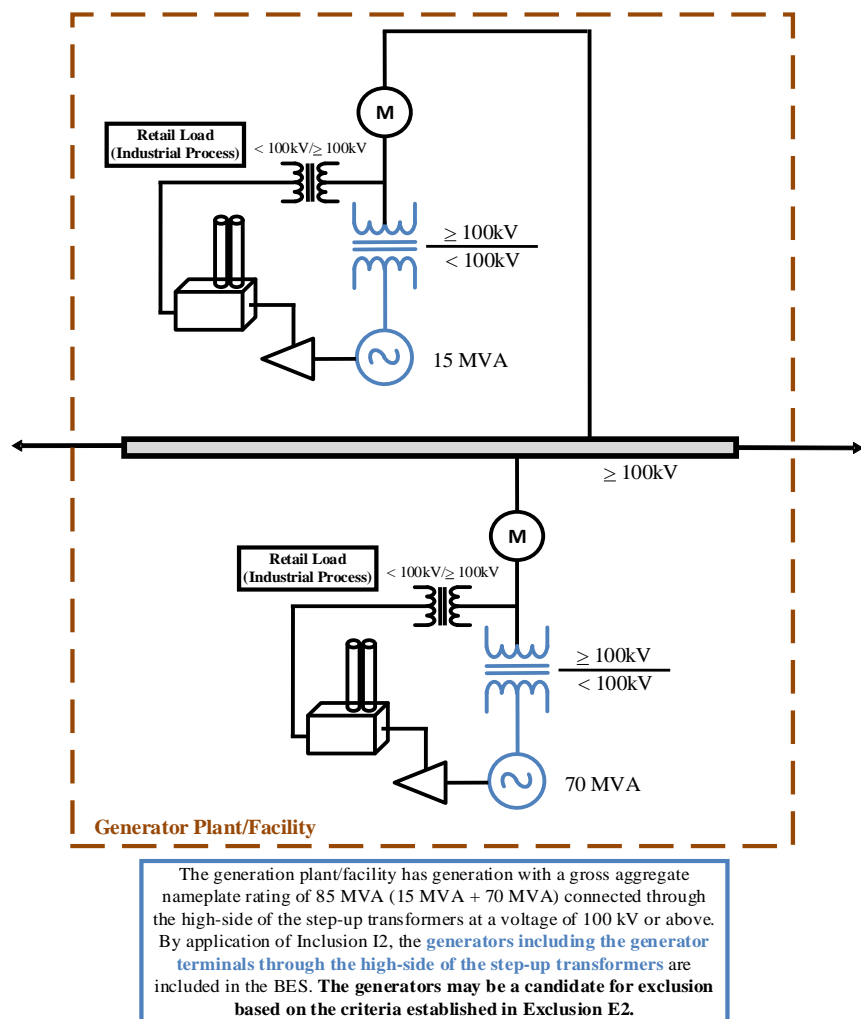


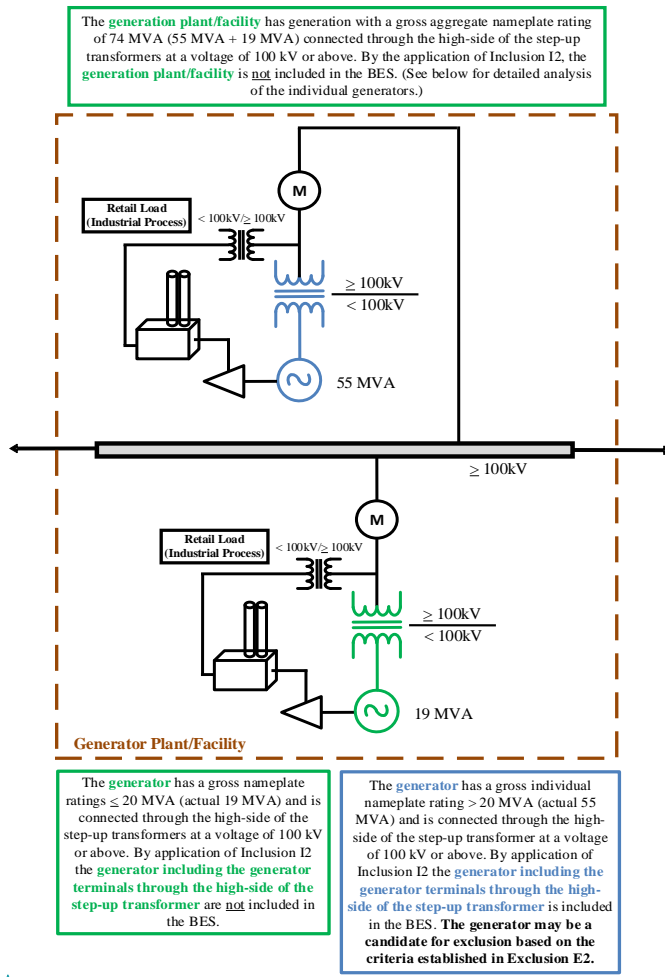
Figure 12.8: Multiple "Behind the Retail Meter" Generators at a Single Plant/Facility (BES)

Field Code Changed

Formatted: Border: Top: (Single solid line, Accent 1, 2.25 pt Line width)

Figure 12.9 depicts a plant/facility with multiple behind the retail meter generators connected through the high-side of the step-up transformer(s) at a voltage of 100 kV or above with an aggregate nameplate rating (connected @100 kV or above) less than 75 MVA. ~~less than 75 MVA.~~ By application of Inclusion I2, only those generators with a gross nameplate rating greater than 20 MVA connected through the high-side of the step-up transformer(s) at a voltage of 100 kV or above are included in the BES. The BES generator may be candidates for exclusion based on the criteria established in Exclusion E2.

Note: This is a new diagram that was developed by the BEPWG to provide clarification in the application of the BES definition.



Formatted: Normal

Field Code Changed

Formatted: Border: Top: (Single solid line, Accent 1, 2.25 pt Line width)

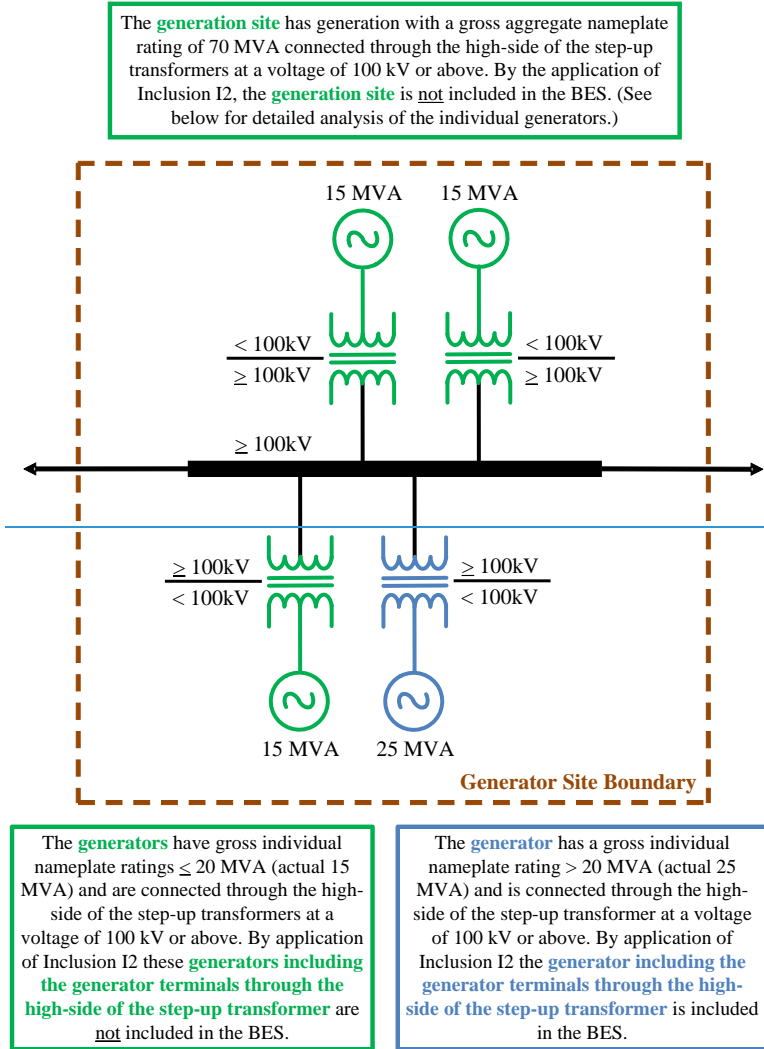


Figure I2.9-4: Multiple "Behind the Retail Meter" Generators at a Single Plant/Facility Site (BES and non-BES)

Formatted: Caption

Formatted: Justified

Formatted: Border: Top: (Single solid line, Accent 1, 2.25 pt Line width)

II.2 BES Inclusion I2

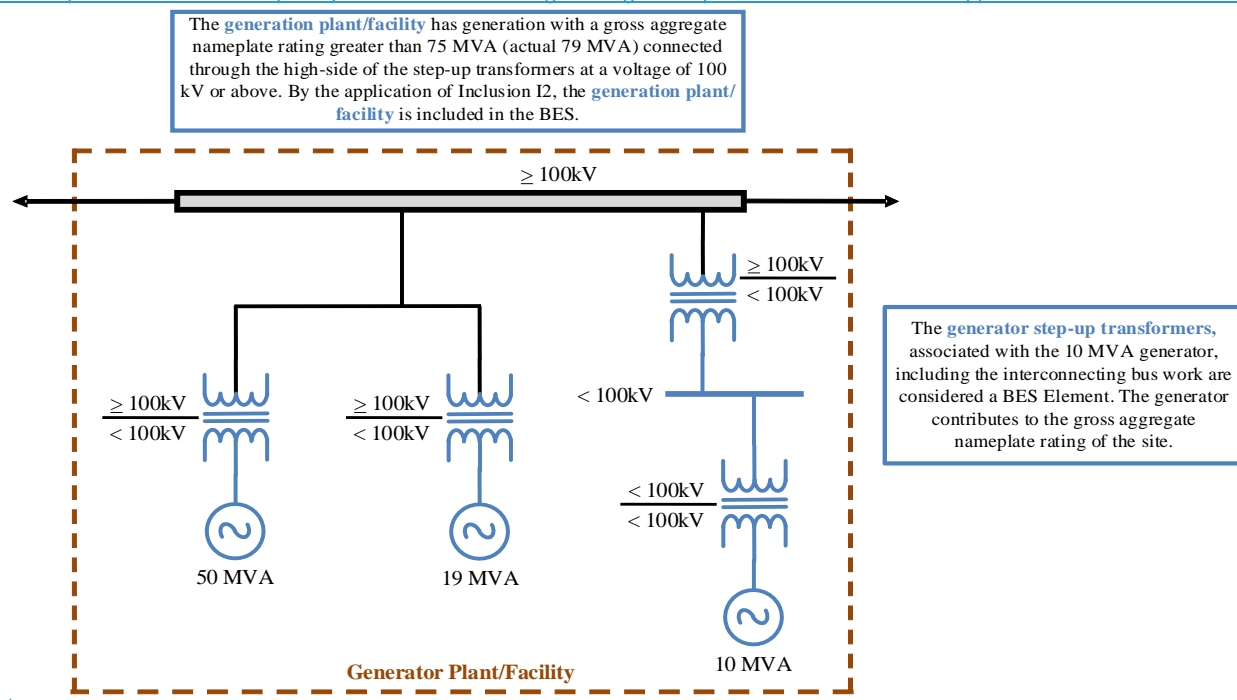
Figure I2.10-5 depicts a generation plant/facility with multiple generators connected to a common point at a voltage of 100 kV through the high-side of multiple step-up transformer(s) at a voltage of 100 kV or above with a gross aggregate nameplate rating (connected @100 kV or above) greater than 75 MVA. -By application of Inclusion I2, all of these generators are (connected @100 kV or above and) are included in the BES. The generator with the 10 MVA gross individual nameplate rating is included in the aggregation because the step-up transformers and the interconnecting bus work are installed for the purpose of connecting the generator to a voltage of 100 kV or above. In accordance with Inclusion I2, the generators, including the generator terminals through the multiple step-up transformers with a high-side connection voltage of 100 kV or above, are considered to be a single BES Element. -The step-up transformers and the interconnecting bus work are installed for the sole purpose of stepping-up the voltage output of the generator to a voltage of 100 kV or above. (FERC Order 773, p91).

Formatted: Font: Font color: Blue

Formatted: Font: Font color: Blue

Note: This is an update that was developed by the BEPWG to the original diagram to provide clarification in the application of the BES definition.

Formatted: Default Paragraph Font, Font color: Auto



Field Code Changed

Formatted: Border: Top: (Single solid line, Accent 1, 2.25 pt Line width)

The **generation site** has generation with a gross aggregate nameplate rating greater than 75 MVA (actual 79 MVA) connected through the high-side of the step-up transformers at a voltage of 100 kV or above. By the application of Inclusion I2, the **generation site** is included in the BES.

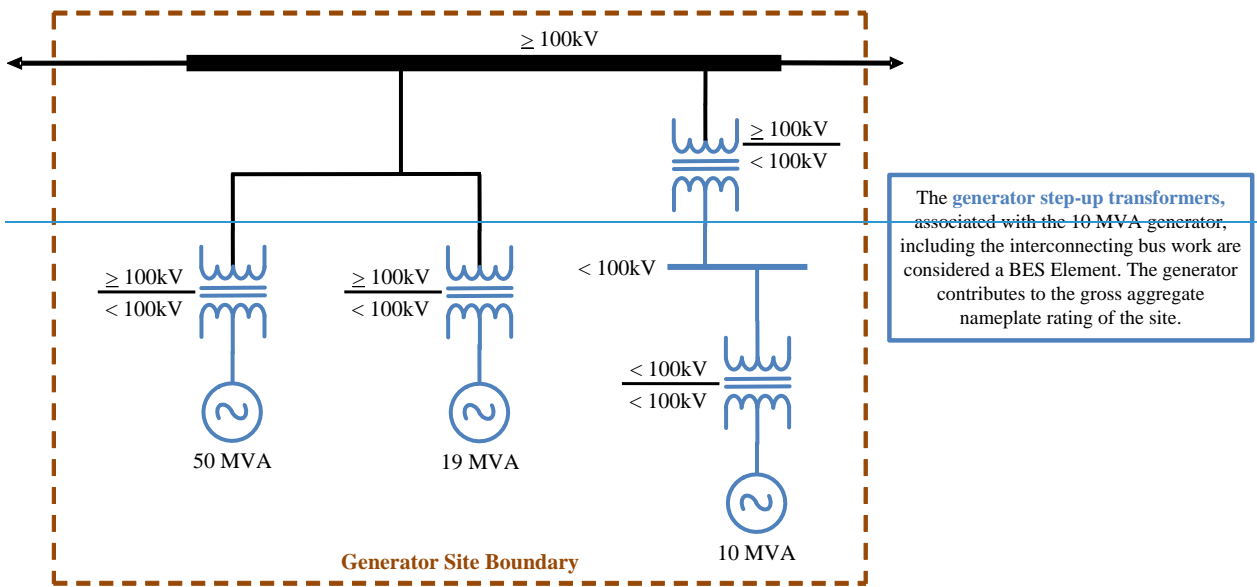


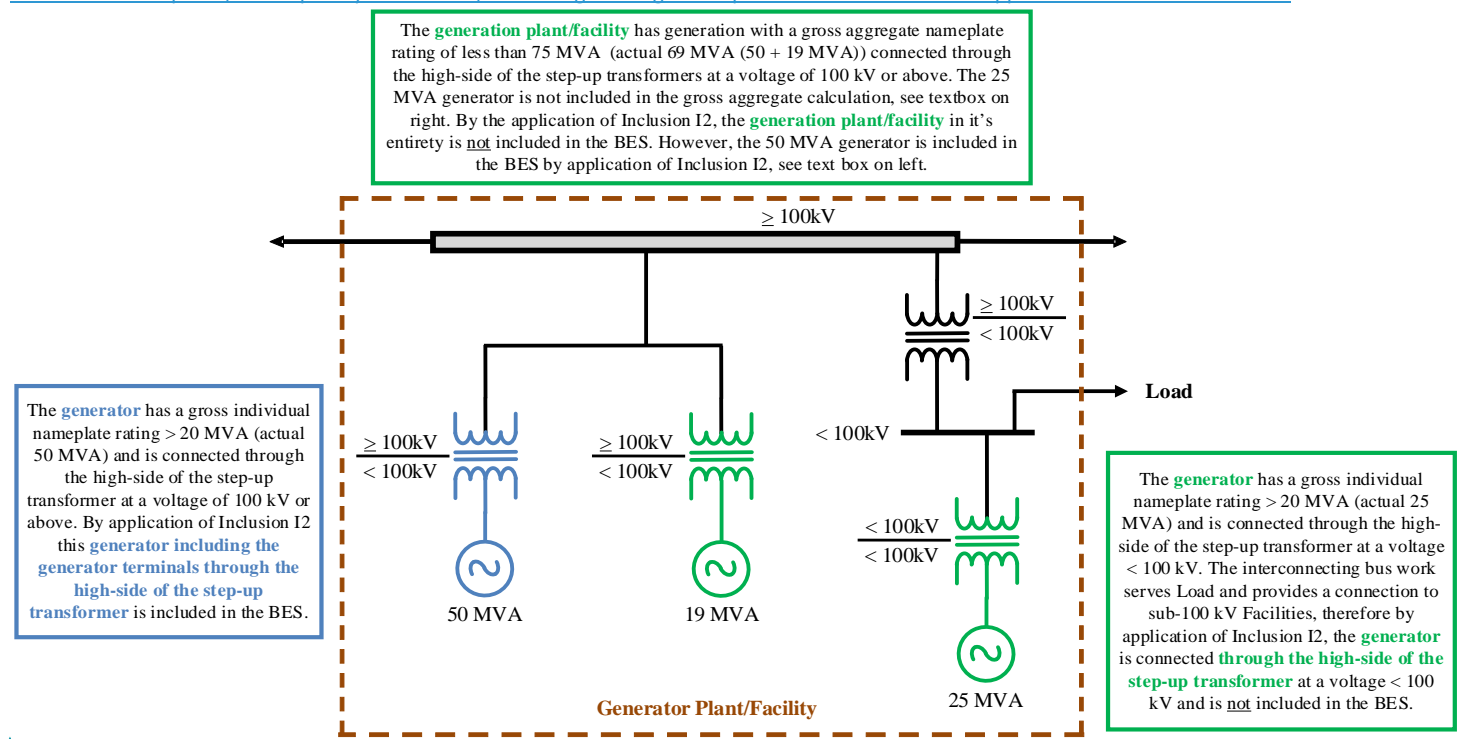
Figure I2.10-5: Multiple Generators at a Single Plant/Facility Site (BES)

Formatted: Caption

Formatted: Border: Top: (Single solid line, Accent 1, 2.25 pt Line width)

Figure I2.11-6 depicts a generation plant/facility with multiple generators connected to a common point at a voltage of 100 kV through the high side of the step-up transformer(s) at a voltage of 100 kV or above with a gross aggregate nameplate rating (connected @100 kV or above) less than 75 MVA. Therefore, only the generators that meet the single unit inclusion criteria of gross nameplate rating of greater than 20 MVA are included in the BES. The generator with the 25 MVA gross individual nameplate rating is not included in the BES or in the generation plant/facility total because the step-up transformers and the interconnecting bus work for this generator has a connection at less than 100 kV to serve end-user are installed for the purpose of serving Load located outside of the generation plant/facility (FERC Order 773, p92). The NERC Glossary of Terms Used in NERC Reliability Standards defines Load as, "an end-use device or customer that receives power from the electric system."

Note: This is an update, developed by the BEPWG, to the original diagram to provide clarification in the application of the BES definition.



Formatted: Font: Font color: Blue
Formatted: Justified
Formatted: Font: Font color: Blue

Field Code Changed

Formatted: Border: Top: (Single solid line, Accent 1, 2.25 pt Line width)

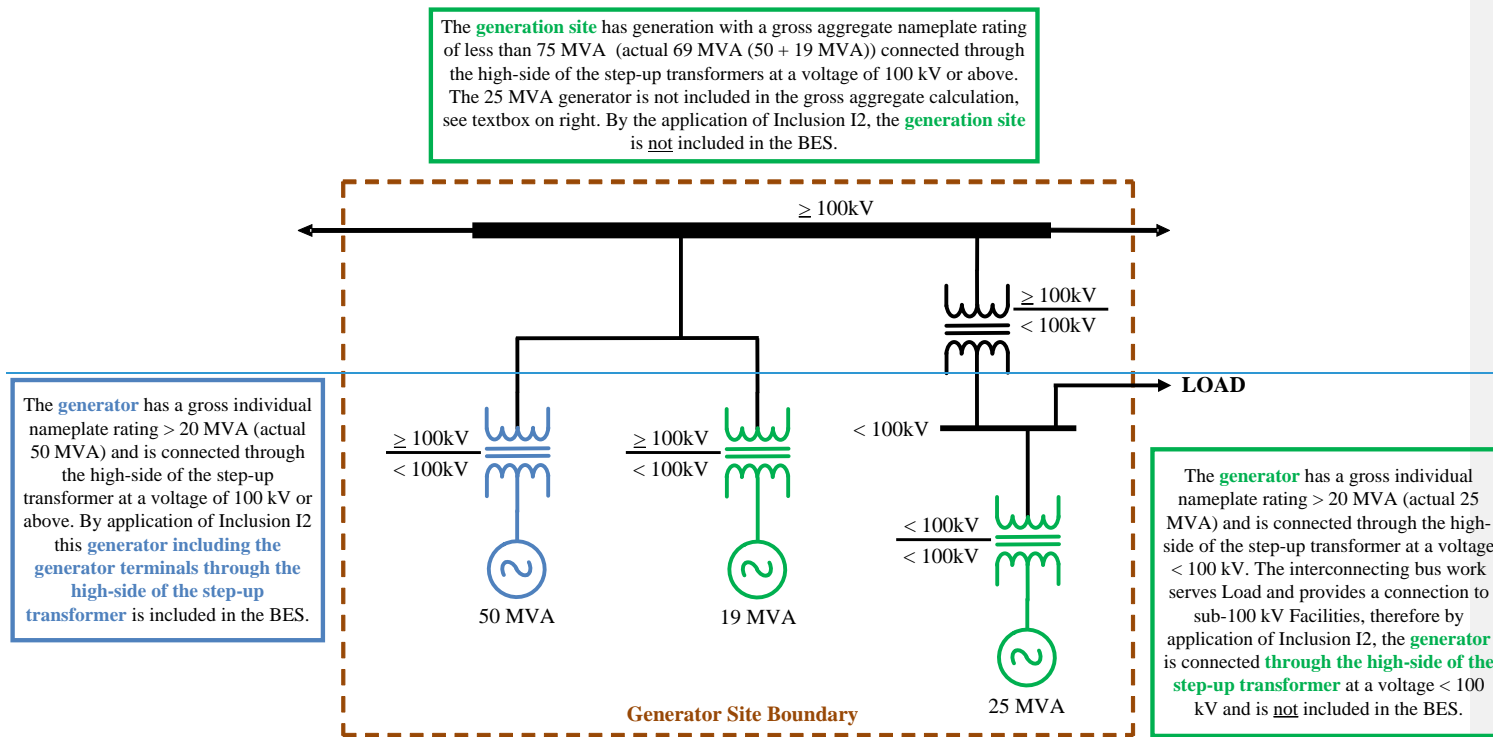


Figure I2.11-6: Multiple Generators at a Single Plant/Facility Site (BES and non-BES)

Formatted: Caption

Formatted: Border: Top: (Single solid line, Accent 1, 2.25 pt Line width)

Chapter 13: BES Inclusion

I3 Blackstart Resources identified in the Transmission Operator's restoration plan.

Inclusion I3 includes Blackstart Resources identified in the Transmission Operator's restoration plan. Blackstart Resources are included in the BES regardless of configuration or location.

The NERC Glossary of Terms Used in NERC Reliability Standards defines a Blackstart Resource as follows:

"A generating unit(s) and its associated set of equipment which has the ability to be started without support from the System or is designed to remain energized without connection to the remainder of the System, with the ability to energize a bus, meeting the Transmission Operator's restoration plan needs for real and reactive power capability, frequency and voltage control, and that has been included in the Transmission Operator's restoration plan."

The Transmission Operator's restoration plan refers to the restoration plan identified in Reliability Standard EOP-005 System Restoration from Blackstart Resources.

Figures were not specifically developed for Inclusion I3 due to the simplicity of the language in the inclusion. In [Chapter Section IV: Hierarchical Application of the Definition](#), the system diagrams include a Blackstart Resource example.

Formatted: Font: (Default) Tahoma, Font color: Accent 1

Formatted: Heading 1 Char, Chapter Title Char, Font: (Default) Tahoma, Font color: Accent 1

Formatted: Font: (Default) Tahoma, Font color: Accent 1

Formatted: Font: (Default) Tahoma, Font color: Accent 1

Formatted: Heading 1, Chapter Title

Formatted: Font: Not Bold

Formatted: Justified

Formatted: Justified

Formatted: Justified

Formatted: Font: Bold, Font color: Blue

[Chapter 14:](#)

II.4 BES Inclusion I4

I4. Dispersed power producing resources that aggregate to a total capacity greater than 75 MVA (gross nameplate rating), and that are connected through a system designed primarily for delivering such capacity to a common point of connection at a voltage of 100 kV or above. Thus, the facilities designated as BES are:

The individual resources, and

The system designed primarily for delivering capacity from the point where those resources aggregate to greater than 75 MVA to a common point of connection at a voltage of 100 kV or above.

Note: Figures I4.1 through I4.6 are depictions of the application of Inclusion I4 and are intended to assist the user during the hierarchical application of the BES definition.

Dispersed power producing resources are small-scale power generation technologies that use a system designed primarily for aggregating capacity providing an alternative to, or an enhancement of, the traditional electric power system. Examples could include, but are not limited to: solar, geothermal, energy storage, flywheels, wind, micro-turbines, and fuel cells.

Common Point of Connection

The common point of connection is where the individual transmission Element(s) of the collector system is connected to the 100 kV or higher Transmission system- (Note: this point is typically specified in the respective Transmission Owner and Generator Operator Interconnection Agreements.) All generation that has such a common point of connection configuration is considered in calculating whether the threshold criteria is met without regard to ownership.

Collector Systems

FERC Orders No. 773 and 773-A identified a concern that the Commission expressed regarding dispersed power collector systems. The SDT has addressed collector systems in a clear fashion that leaves no room for arbitrary determinations and eliminates the unintended consequences of categorically including as part of the BES, assets that may include local distribution facilities.

The basis of this determination takes into account the significant differences in collector system configurations that exist today that did not lend themselves to a continent-wide bright-line determination. This resulted in properly identifying the portions of the collector system that consistently provide a reliability benefit to the interconnected transmission network. The result identifies the point of aggregation of 75 MVA and above and the interconnecting facilities to the interconnected transmission network. Collector systems may contain multiple points of aggregation depending on the design and configuration. The aggregation threshold is consistent with the aggregation of capacity in Inclusion I4 and recognizes that the loss of those facilities result in a loss of 75 MVA capacity or greater to the BES.

Formatted: Font: (Default) Tahoma, Font color: Accent 1

Formatted: Heading 1, Chapter Title, Justified, Space Before: 0 pt

Formatted: Justified

Formatted: Justified, Indent: Left: 0.25"

Formatted: Justified

Formatted: Font: Font color: Auto

Formatted: Font: Bold, Font color: Blue

Formatted: Font: Bold, Font color: Blue

Formatted: Font: Font color: Auto

Formatted: Font: Bold, Font color: Blue

Formatted: Font: Bold, Font color: Blue

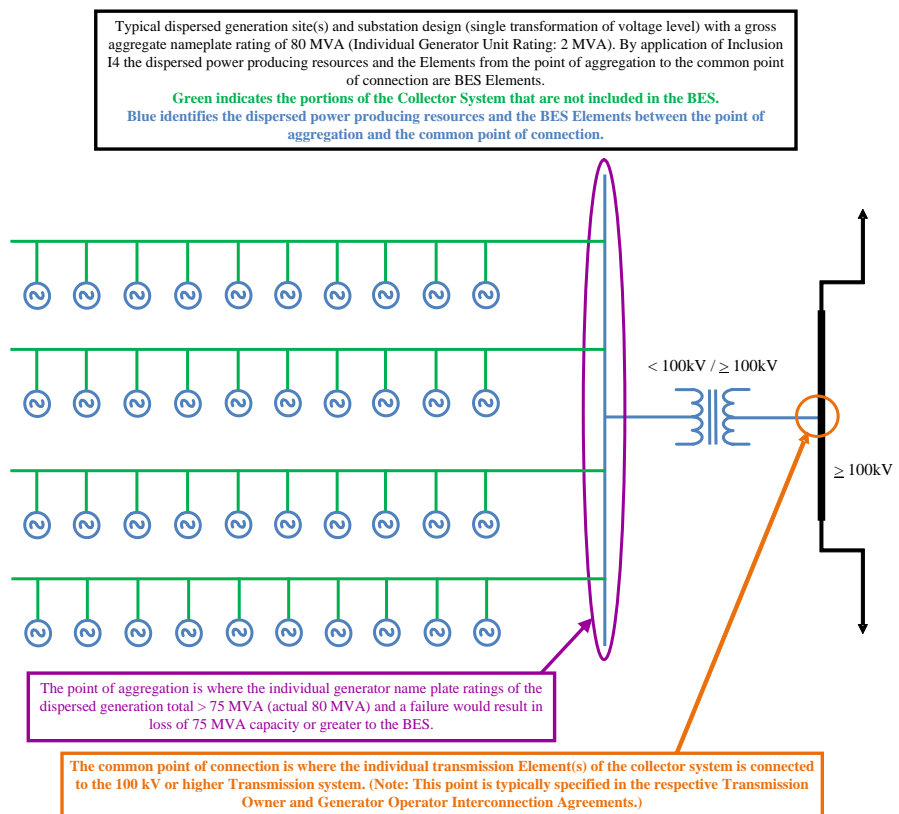
Formatted: Font: Font color: Auto

Formatted: Justified, Tab stops: 4.33", Left

Formatted: Justified

Formatted: Default Paragraph Font, Font color: Black

Figure I4.-1 depicts a dispersed generation site and substation design with a single transformation of voltage.



Typical dispersed generation site(s) and substation design (single transformation of voltage level) with a gross aggregate nameplate rating of 80 MVA (Individual Generator Unit Rating: 2 MVA). By application of Inclusion I4 the dispersed power producing resources and the Elements from the point of aggregation to the common point of connection are BES Elements.
 Green indicates the portions of the Collector System that are not included in the BES.
 Blue identifies the dispersed power producing resources and the BES Elements between the point of aggregation and the common point of connection.

- Formatted: Font color: Blue
- Formatted: Normal, Justified, Space After: 10 pt, Line spacing: Multiple 1.15 li
- Formatted: Font: Bold, Font color: Blue
- Formatted: Font color: Blue
- Formatted: Justified

Figure I4.-1 Dispersed Generation Site (Single Voltage Transformation) → Wind Farm

- Formatted: Normal, Justified
- Formatted: Caption
- Formatted: Justified

Figure 14.-2 depicts a dispersed generation site and substation design with unknown collector system configuration.

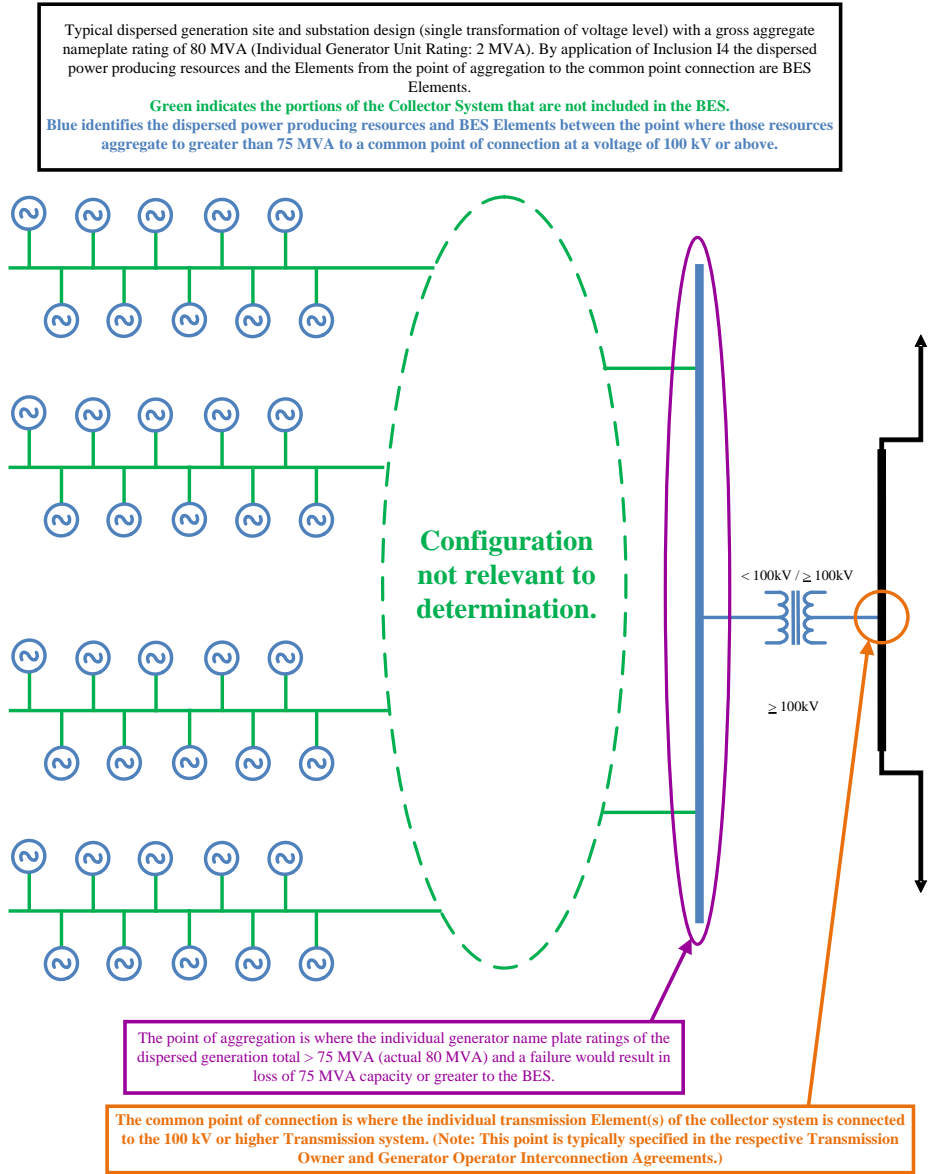


Figure 14.-2: Dispersed Generation Site (Unknown Collector System Configuration) Wind Farm

Formatted: Caption

Figure 14.3 depicts a dispersed generation site, with multiple owners, and substation design with unknown collector system configuration.

Formatted: Font color: Blue

Note: This is a new diagram developed by the BEPWG to provide clarification in the application of the BES definition.

Typical dispersed generation site and substation design (single transformation of voltage level) with multiple owners utilizing a common collector system. The gross aggregate nameplate rating of 80 MVA (Individual Generator Unit Rating: 2 MVA). By application of Inclusion I4 the dispersed power producing resources and the Elements from the point of aggregation to the common point connection are BES Elements.
 Green indicates the portions of the Collector System that are not included in the BES.
 Blue identifies the dispersed power producing resources and BES Elements between the point where those resources aggregate to greater than 75 MVA to a common point of connection at a voltage of 100 kV or above.

Field Code Changed

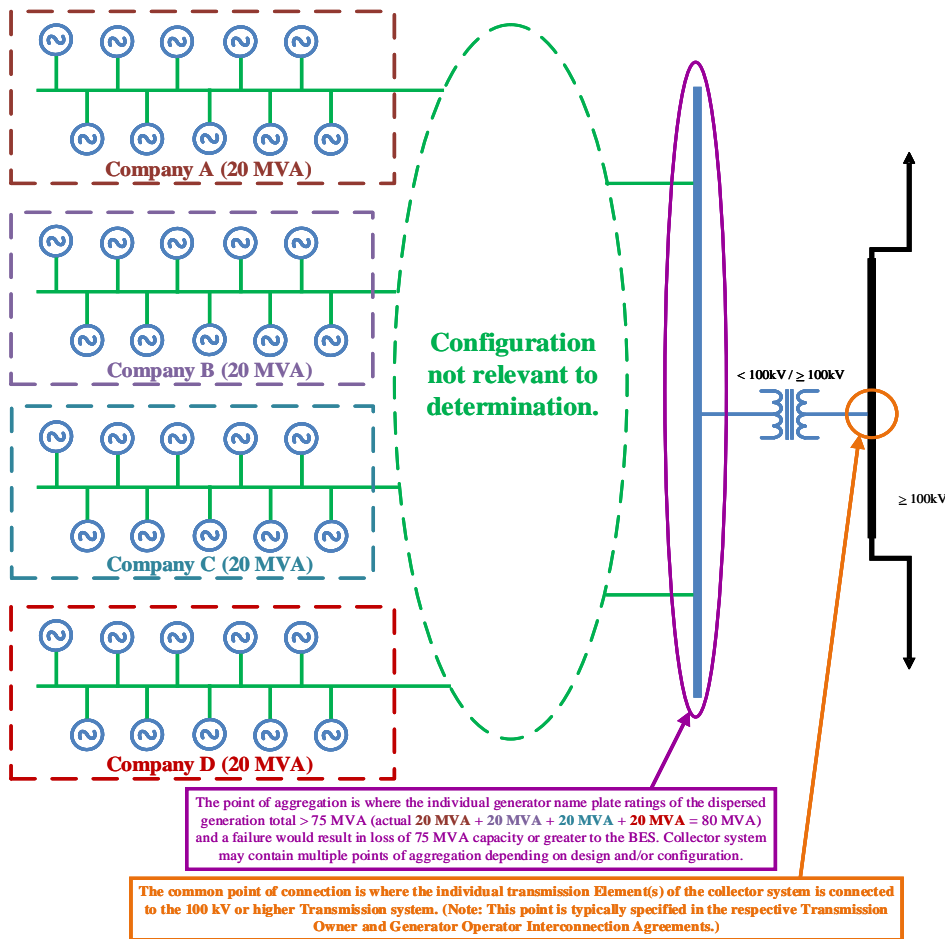


Figure 14.3 Dispersed Generation Site with Multiple Owners (Unknown Collector System Configuration)—Wind Farm

Figure 14.4-3 depicts a dispersed generation site and substation design with a single transformation of voltage.

Formatted: Justified

Formatted: Font color: Blue

Dispersed generation site and substation design (single transformation of voltage level) with a gross aggregate nameplate rating of 80 MVA (Individual Photovoltaic Bank Rating: 20 MVA). By application of Inclusion I4 the Photovoltaic Cells & Inverters (generators) are included in the BES.
Green indicates the portions of the Collector System that are not included in the BES.
Blue identifies BES dispersed power producing resources (Photovoltaic Cells & Inverters) and the BES Elements between the point of aggregation and the common point of connection.

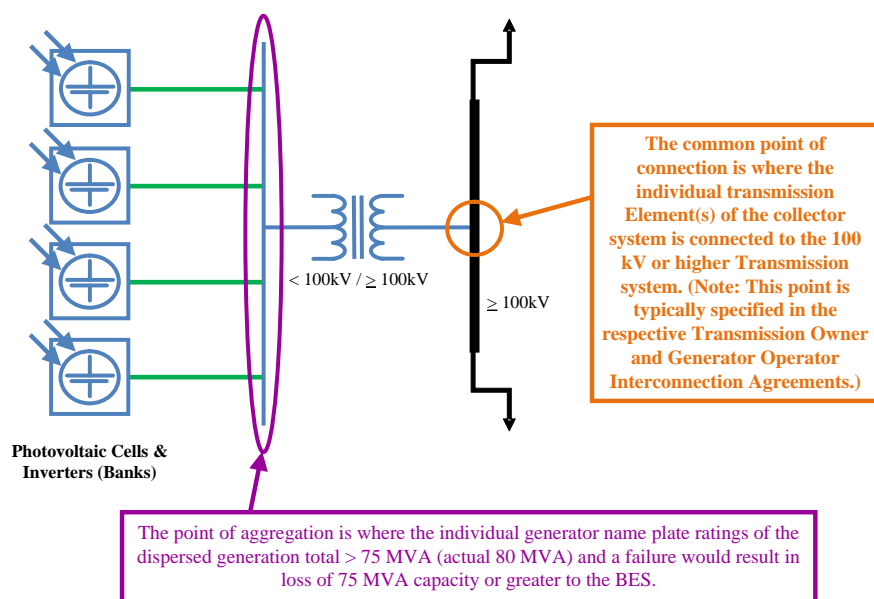


Figure 14.4-3: Dispersed Generation Site (Single Voltage Transformation) → Solar Array

Formatted: Caption

Formatted: Justified

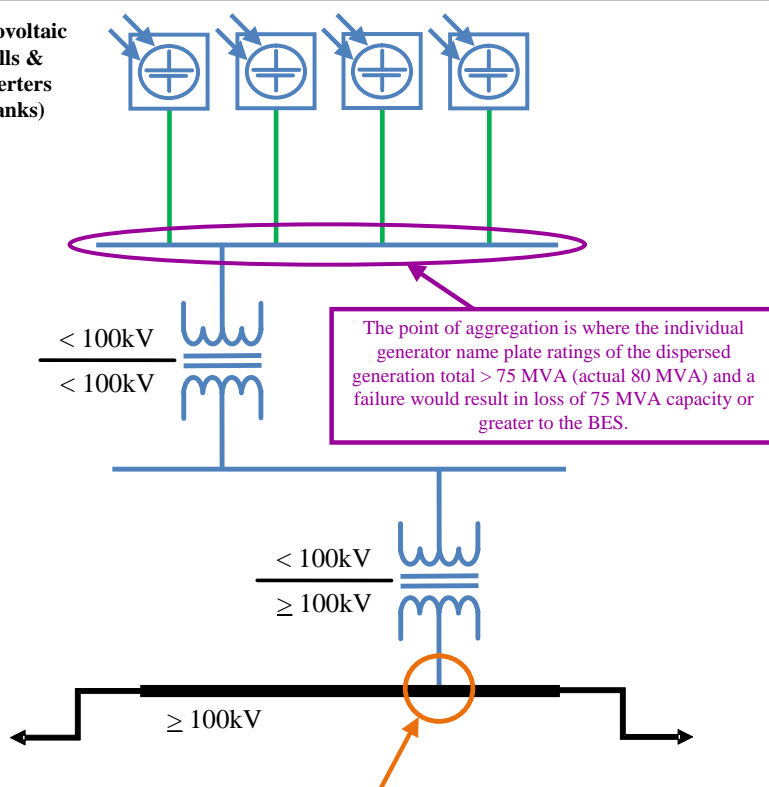
Figure 14.5-4 depicts a dispersed generation site and substation design with multiple levels of voltage transformation.

Formatted: Font color: Blue

Formatted: Font color: Blue

Dispersed generation site and substation design (multiple transformations of voltage level) with a gross aggregate nameplate rating of 80 MVA (Individual Photovoltaic Bank Rating: 20 MVA). By application of Inclusion I4 the Photovoltaic Cells & Inverters (generator units) are included in the BES. Green indicates the portions of the Collector System that are not included in the BES. Blue identifies BES dispersed power producing resources (Photovoltaic Cells & Inverters) and the BES Elements between the point of aggregation and the common point of connection.

Photovoltaic Cells & Inverters (Banks)



The common point of connection is where the individual transmission Element(s) of the collector system is connected to the 100 kV or higher Transmission system. (Note: This point is typically specified in the respective Transmission Owner and Generator Operator Interconnection Agreements.)

Figure 14.5-4: Dispersed Generation Site (Multiple Voltage Transformations) → Solar Array

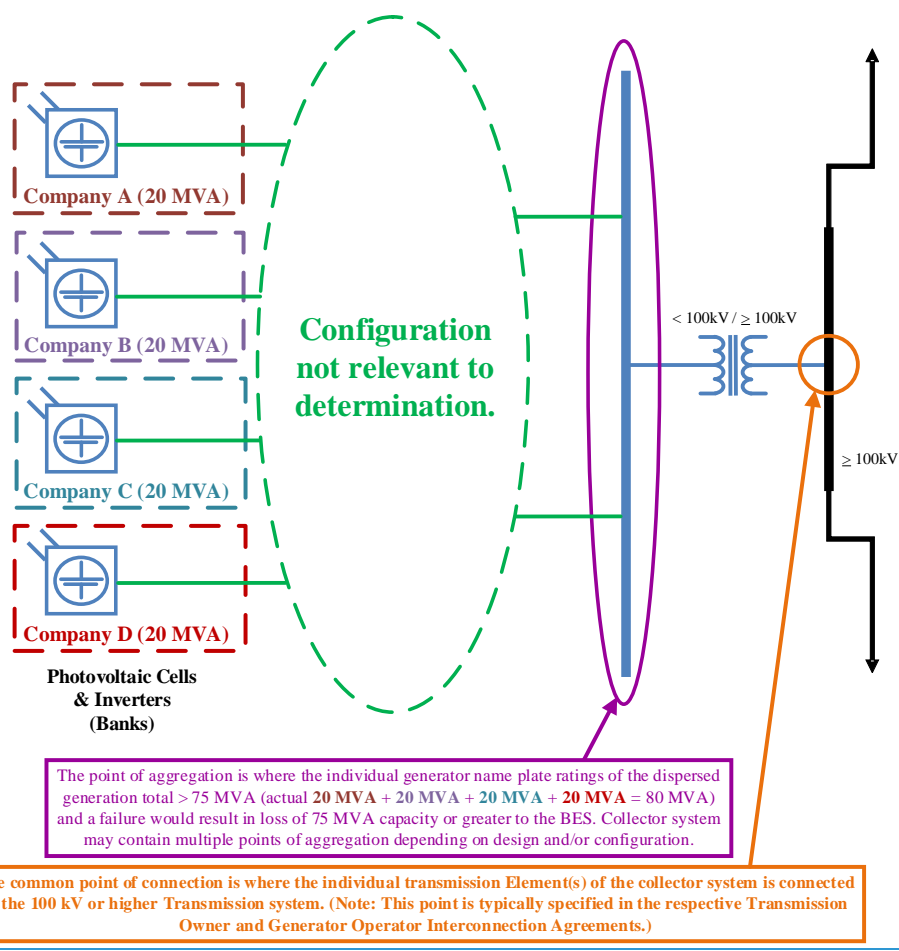
Formatted: Caption

Formatted: Justified

Figure 14.6 depicts a dispersed generation site, with multiple owners, and substation design with unknown collector system configuration.

Note: This is a new diagram developed by the BEPWG to provide clarification in the application of the BES definition.

Typical dispersed generation site and substation design (single transformation of voltage level) with multiple owners utilizing a common collector system. With a gross aggregate nameplate rating of 80 MVA (Individual Photovoltaic Bank Rating: 20 MVA). By application of Inclusion I4 the Photovoltaic Cells & Inverters (generators) are included in the BES.
Green indicates the portions of the Collector System that are not included in the BES.
 Blue identifies BES dispersed power producing resources (Photovoltaic Cells & Inverters) and BES Elements between the point where those resources aggregate to greater than 75 MVA to a common point of connection at a voltage of 100 kV or above.



Field Code Changed

Figure 14.6: Dispersed Generation Site with Multiple Owners (Unknown Collector System Configuration)—Solar Array

Chapter 15: BES Inclusion I5

I5: Static or dynamic devices (excluding generators) dedicated to supplying or absorbing Reactive Power that are connected at 100 kV or higher, or through a dedicated transformer with a high-side voltage of 100 kV or higher, or through a transformer that is designated in Inclusion I1.

Inclusion I5 identifies static or dynamic devices (identified as “Reactive Resources” throughout the document to simplify the diagrams) connected via any of the methods identified by the qualifiers regardless of the amount of Reactive Power output/input. It is important to note that Inclusion I5 identifies only static or dynamic “devices” to be included by meeting the qualifying connection criteria, and does not include any of the associating qualifiers (i.e., associated dedicated transformers). In the following examples, several reactive resources (electrically depicted as capacitors) are identified with various connection methods.

Note: Figure 15-1 depicts the application of Inclusion I5 and is intended to assist the user during the hierarchical application of the BES definition.

Formatted: Font: (Default) Tahoma, Font color: Accent 1

Formatted: Heading 1, Chapter Title, Justified

Formatted: Font: Not Bold

Formatted: Different first page header

Formatted: Font: Font color: Auto

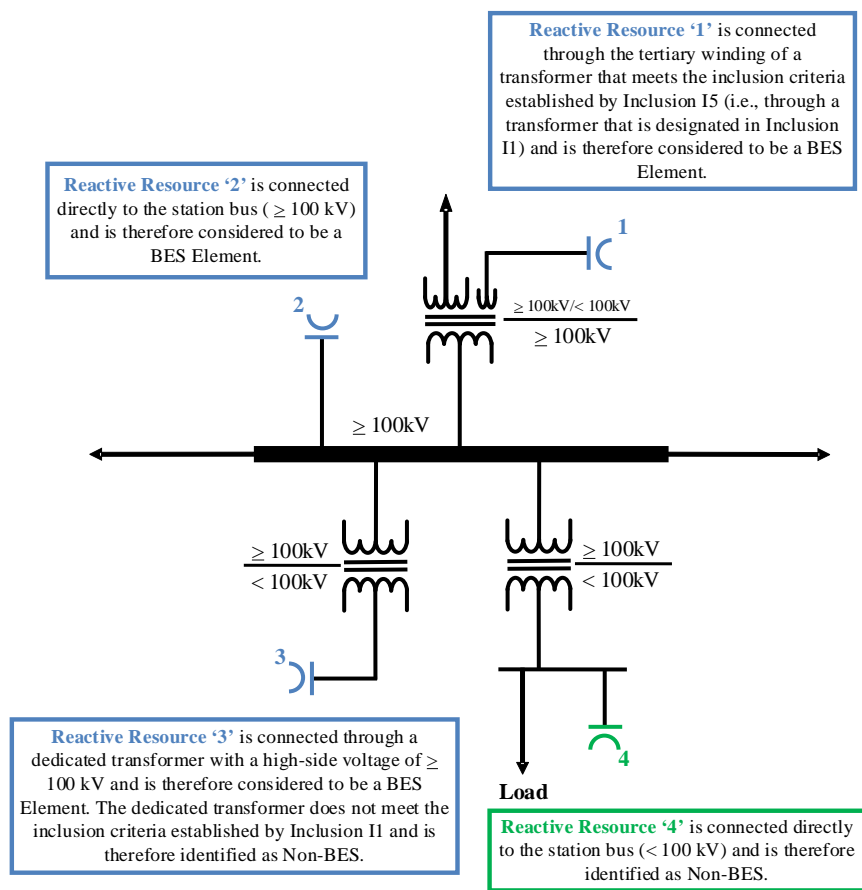
Formatted: Font: Bold, Font color: Blue

Formatted: Font: Bold, Font color: Blue

Formatted: Font: Font color: Auto

Formatted: Border: Top: (Single solid line, Accent 1, 1.5 pt Line width)

Figure 15-1 depicts several different methods of connecting reactive resources typically utilized in the electric utility industry. Reactive Resource symbol is intended to depict all potential reactive resources, including static and dynamic devices, utilized in the interconnected transmission system.



Formatted: Font color: Blue
Formatted: Font color: Blue

Field Code Changed

Formatted: Border: Top: (Single solid line, Accent 1, 2.25 pt Line width)

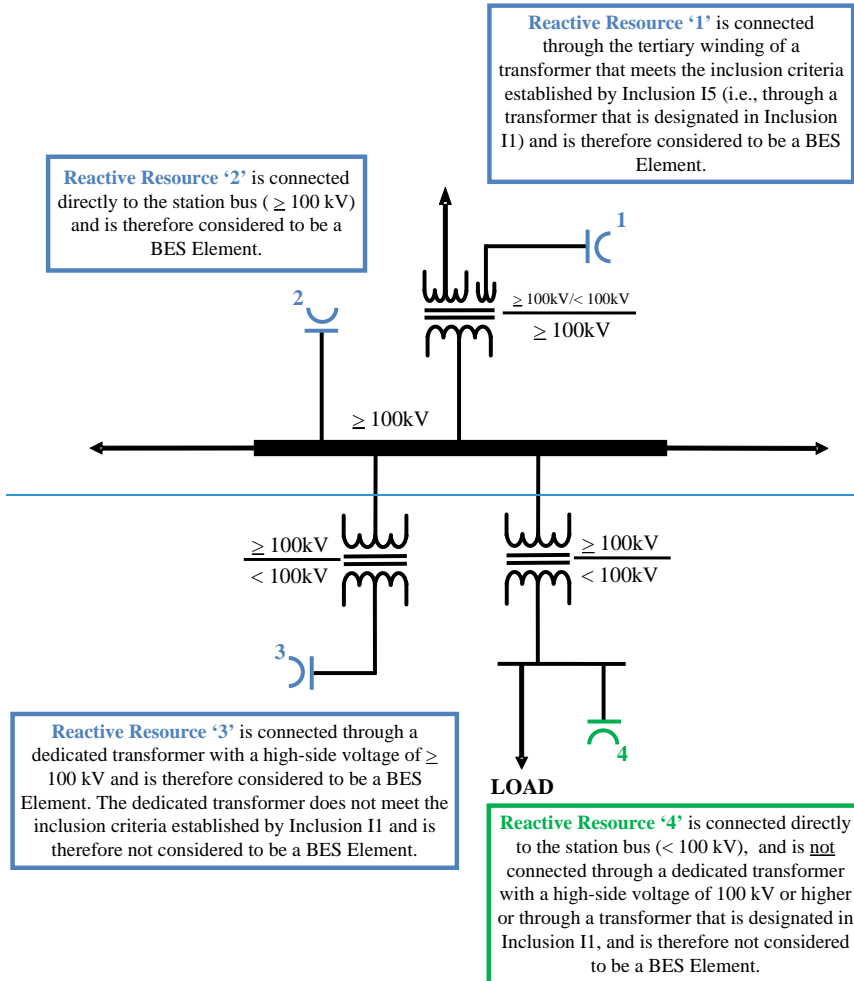


Figure I5_-1: Reactive Resources (BES and non-BES)

Formatted: Caption

Formatted: Border: Top: (Single solid line, Accent 1, 2.25 pt Line width)

Chapter E: Exclusions

Each exclusion, with the exception of Exclusion E4, is shown below with both text and diagrams explaining how to apply the BES definition for the specific configuration shown. These examples are not to be considered all-inclusive, and simply reflect the professional opinion of the DBES SDT and the BEPWG and are provided in good faith for illustrative purposes only. In several instances, the BEPWG has updated original diagrams and has also provided new diagrams based on experience gained from the application of the BES definition. The applicable diagram descriptions have been revised to reflect the BEPWG contributions to this document. As with the inclusions discussed above, all generation that has such a common point of connection configuration is considered in calculating whether any threshold criteria is met without regard to ownership. This document is not an official position of NERC and will not be binding on enforcement decisions of the NERC Compliance Monitoring and Enforcement Program.

The section on Exclusion E4 does not include diagrams, as there are no application configuration issues associated with it.

Diagrams only show application of the definition to the specific Element in question, as previously explained.

Key to diagram color coding:

- **Blue** indicates that an Element is included in the BES.
- **Green** indicates that an Element is not included in the BES.
- **Orange** indicates ~~“points of connection.”~~“connection”
- **Black** indicates Elements that are not evaluated for the specific exclusion depicted in the individual diagrams being shown.

Formatted: Justified, Space After: 6 pt, No bullets or numbering

Formatted: Font color: Accent 1

Formatted: Justified

1.1 BES Exclusion E1

E1: Radial systems: A group of contiguous transmission Elements that emanates from a single point of connection of 100 kV or higher and:

- a.) Only serves Load. Or,
- b.) Only includes generation resources, not identified in Inclusions I2, I3, or I4, with an aggregate capacity less than or equal to 75 MVA (gross nameplate rating). Or,
- c.) Where the radial system serves Load and includes generation resources, not identified in Inclusions I2, I3, or I4, with an aggregate capacity of non-retail generation less than or equal to 75 MVA (gross nameplate rating).

Note 1:— A normally open switching device between radial systems, as depicted on prints or one-line diagrams for example, does not affect this exclusion.

Note 2:— The presence of a contiguous loop, operated at a voltage level of 50 kV or less, between configurations being considered as radial systems, does not affect this exclusion.

Single Point of Connection

The "single point of connection of 100 kV or higher" is where the radial system will begin if it meets the criteria of Exclusion E1, including parts a, b, or c. For example, the start of the radial system may be a hard tap of the Transmission line, or could be the tap point within a ring or breaker and a half bus configuration.

The connection to the radial system must be from only one point at 100 kV or higher. Any group of contiguous transmission Elements that have multiple connections at 100 kV or higher do not qualify for Exclusion E1.

Normally open switching devices between radial systems, will not disqualify a radial system from this exclusion.

FERC Order No. 773 directed implementation of the revised BES definition to take into account the impact of sub-100 kV looped Facilities regardless of voltage level altering previous guidance on the evaluation of radial systems. This meant that if there was a connection at the sub-100 kV level between two systems that would previously have been considered as radial, said systems could not be evaluated for possible radial system exclusion. However, the drafting team developed a technical justification establishing 50 kV as a threshold value for sub-100 kV looped facilities. If the sub-100 kV loop is 50 kV or less, it was shown that it would not have an impact on the BES, and thus an entity could still apply Exclusion E1 to the configuration. If the loop in question was greater than 50 kV, then an entity could not consider the systems as radial and would need to evaluate them under the criteria of Exclusion E3 if seeking to exclude the Facilities from the BES.

The evaluation of sub-100 kV loops associated with the evaluation of Elements under the E1 exclusion is used as a "qualifier" for the potential exclusion of the Elements that operate at or above 100 kV:

- Failure to meet the "bright-line" criteria established by Exclusion E1 does not result in the inclusion of the sub-100 kV loops in the BES.

Order No. 773, paragraph 155 states:

~~"Thus, the Commission, while disagreeing with NERC's interpretation, does not propose to include the below 100 kV elements in figure 3 in the bulk electric system, unless determined otherwise in the exception process."~~

- Order No. 773 A, paragraph 26 states the following:

Formatted: Font: (Default) Tahoma, Font color: Accent 1

Formatted: Heading 1, Chapter Title, Space After: 6 pt

Formatted: Font: Not Bold

Formatted: Justified

Formatted: Justified

Formatted: Justified, Bulleted + Level: 1 + Aligned at: 0.25" + Indent at: 0.5"

Formatted: No underline

Formatted: No underline

Formatted: Bulleted + Level: 1 + Aligned at: 0.25" + Tab after: 0.5" + Indent at: 0.5", Tab stops: Not at 0.5"

Formatted: Font: +Body (Calibri)

Formatted: Font: +Body (Calibri), Not Italic

Formatted: Indent: Left: 0.5", Bulleted + Level: 1 + Aligned at: 0.75" + Indent at: 1"

Formatted: Font: +Body (Calibri)

“Thus, the Commission, while disagreeing with NERC’s interpretation, does not propose to include the below 100 kV elements in figure 3 in the bulk electric system, unless determined otherwise in the exception process.”

Order No. 773-A, paragraph 36 states the following:

“Moreover, as noted in the Final Rule, the sub-100 kV elements comprising radial systems and local networks will not be included in the bulk electric system, unless determined otherwise in the exception process.”

Formatted: Font: Not Italic

Formatted: List Paragraph, Justified, Space Before: 6 pt, Bulleted + Level: 1 + Aligned at: 0.75" + Indent at: 1"

Evaluation of ~~Single Point~~single points of ~~Connection~~connection within ~~Radial Systems~~radial systems under ~~Consideration~~consideration

Formatted: Justified

If the radial system being evaluated for exclusion emanates from a single point of connection of 100 kV or higher but does not meet the criteria established in Exclusion E1, including parts a, b, or c, then the radial system does not qualify for exclusion from the BES as a radial system described in Exclusion E1 and its parts. However, further evaluation of the underlying Elements within the original radial system may be appropriate. Underlying radial systems, which emanate from a single point of connection of 100 kV or higher, may qualify for exclusion as radial systems of contiguous transmission Elements within the original area of consideration if the criterion established in Exclusion E1, including parts a, b, or c, is met for these Facilities. Such evaluations are not shown in the figures in this section that which concentrate on the bigger picture, but are detailed in the summary diagrams in Chapter 4 Section IV, where the hierarchical application of the definition is described and shown. (See Figures S1-10 and S1-10a of this document to view examples of the hierarchical application of the BES definition with respect to Exclusion E1.)

Formatted: Font color: Blue

Formatted: Font: Bold, Font color: Blue

Formatted: Font: Bold, Font color: Blue

Formatted: Font color: Blue

Formatted: Font: Bold, Font color: Blue

Formatted: Font: Bold, Font color: Blue

Formatted: Font color: Blue

"transmission Element"

The word transmission is not capitalized and is used as a qualifier to the word Element and is meant to differentiate between the types of Elements that are identified in the NERC Glossary of Terms Used in NERC Reliability Standards definition of Element.

Element (NERC Glossary of Terms):

“Any electrical device with terminals that may be connected to other electrical devices such as a generator, transformer, circuit breaker, bus section, or transmission line. An element may be comprised of one or more components.”

The use of the words: “a group of contiguous transmission Elements” means Elements at 100 kV or higher that are connected in a contiguous manner. This group of contiguous transmission Elements serves the radial system but does not include the Elements that are operated below 100 kV.

Non-Retail Generation

Non-retail generation is any generation that is not behind a retail customer’s meter. The radial system is limited to less than 75 MVA of non-retail generation.

Retail generation is behind-the-meter generation with all or some of the generation serving on-site retail customer Load. The NERC Glossary of Terms used in NERC Reliability Standards defines Load as “an end-use device or customer that receives power from the electric system.”

Formatted: Font: (Default) +Body (Calibri)

Formatted: Font: (Default) +Body (Calibri), 11 pt

For retail generation meeting the criteria established by Exclusion E2, the retail generation not consumed on site can flow to the BES provided the net capacity to the BES does not exceed 75 MVA.

The MVA nameplate rating of retail generation can affect the ability of an entity to utilize Exclusion E1 ([See Section E1.b](#)).

Formatted: Font: Bold, Font color: Blue

Formatted: Font: Bold, Font color: Blue

Reactive Resources

Exclusion E1 provides for the exclusion of “transmission ~~Elements~~’ from radial systems that meet the specific criteria identified in the exclusion language. -This does not allow for the exclusion of Reactive Power resources captured by Inclusion I5. -Exclusion E1 only speaks to the transmission component of the radial system.

Formatted: Default Paragraph Font, Font: Tahoma Bold, Bold

Formatted: Space After: 10 pt, Line spacing: Multiple 1.15
li

Generation Limits

There are two conditions under which generation resources can prevent a radial system from qualifying for Exclusion E1:

Any generation within the radial system in question is identified in Inclusion I2, I3, or I4

~~1.~~ OR ~~2.~~

~~2.~~ The aggregate nameplate capacity of the non-retail generation capacity within the radial system in question exceeds 75 MVA.

If either of these conditions applies, the radial system does not qualify for Exclusion E1.

Exclusion E1 allows for the exclusion of contiguous transmission Elements (~~i.e.~~, transformers, circuit breakers, bus sections, Transmission lines, ~~etc.~~) emanating from a single point of connection at a voltage of 100 kV or higher.

Note; Figures E1-1 through E1-22-29 are depictions of the application of Exclusion E1, and are intended to assist the user during the hierarchical application of the BES definition.

Formatted: Justified

Formatted: List Bullet, Centered, Indent: Left: 0.5", Space Before: 0 pt, No bullets or numbering

Formatted: List Bullet, Justified, Space Before: 0 pt, No bullets or numbering

Formatted: Justified

Formatted: Font: Font color: Auto

Formatted: Font: Bold, Font color: Blue

Formatted: Font: Bold, Font color: Blue

Formatted: Font: Font color: Auto

Formatted: Font: Bold, Font color: Blue

Formatted: Font: Font color: Auto

Formatted: Font: Font color: Auto

E1.a: —Serves Load Only

Figure E1-1 depicts a radial system that contains only Load. There is no limit to the amount of Load within the radial system.

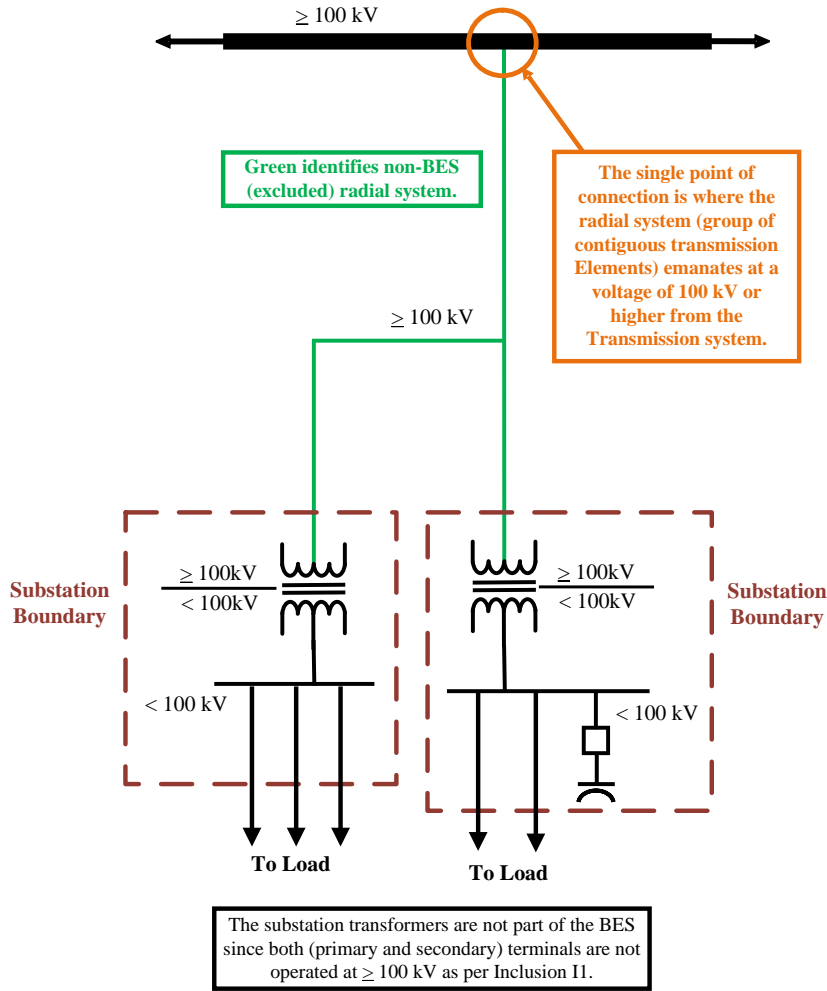


Figure E1-1: Radial System —Serving Only Load

- Formatted: No underline
- Formatted: Font: Not Bold, No underline
- Formatted: Font color: Blue
- Formatted: Font color: Blue

- Formatted: Justified
- Formatted: Caption
- Formatted: Justified

Figure E1.1-2 depicts a configuration that contains two separate radial systems due to the underlying loop operating at a voltage of ≤ 50 kV.

Formatted: Font color: Blue
Formatted: Font color: Blue

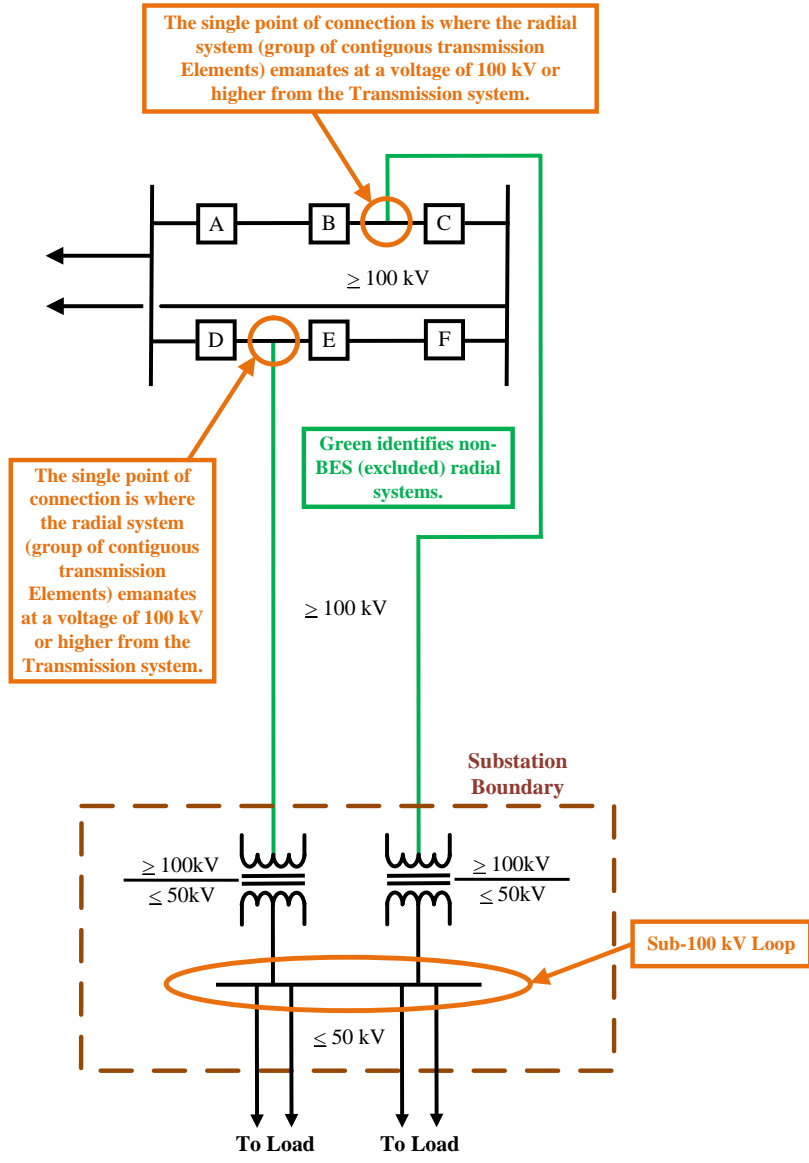


Figure E1.1-2: Multiple Radial Systems (Underlying Loop Facilities ≤ 50 kV)

Formatted: Caption
Formatted: Justified

Figure E1-3 depicts a configuration that contains a sub-100 kV loop (greater than 50 kV), which cannot be evaluated under the criteria established in Exclusion E1 and can only be evaluated under the criteria established in Exclusion E3 (See Figure diagram E3-4 and E3.5).

- Formatted: Font color: Blue
- Formatted: Font color: Blue
- Formatted: Font: Bold, Font color: Blue
- Formatted: Font: Bold, Font color: Blue

The presence of the sub-100 kV loop (see text box below) establishes multiple points of connection at a voltage level of 100 kV or higher to the Transmission System. Therefore, this scenario cannot be analyzed under Exclusion E1, however, the configuration shown may be eligible for exclusion as a 'local network'.

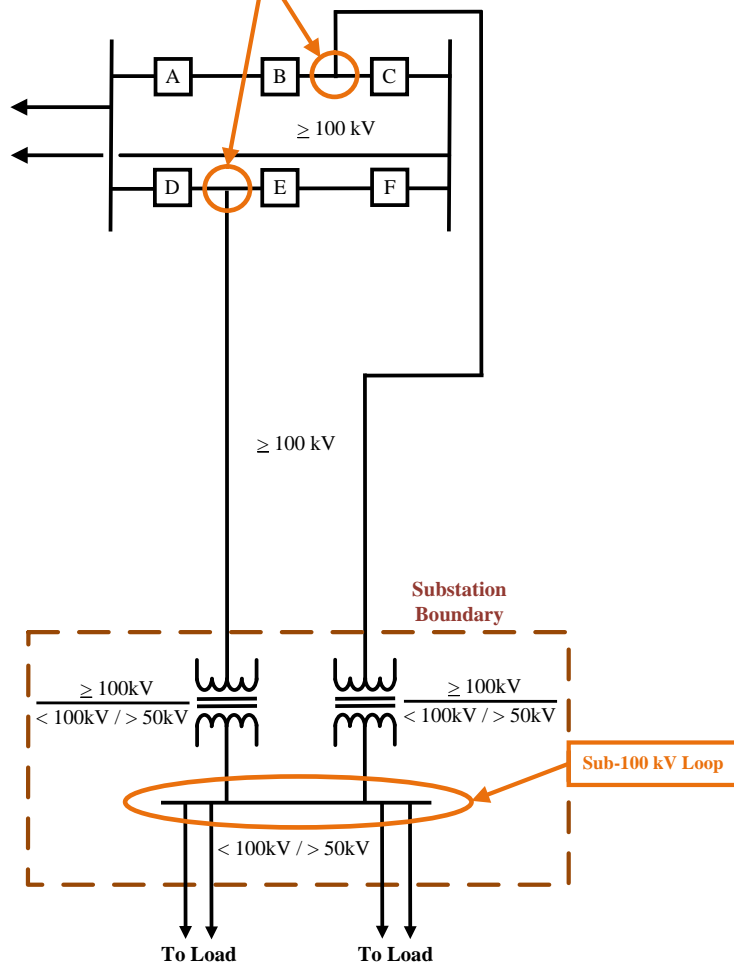


Figure E1-3: Impact of Sub-100 kV Looped Facilities

- Formatted: Caption, Left
- Formatted: Default Paragraph Font, Font: Tahoma
- Formatted: Default Paragraph Font, Font: Tahoma

Figure E1.4 depicts a configuration that contains a sub-100 kV loop (less than 50 kV) with multiple points of connection (more than two (2)), which cannot be evaluated under the criteria established in Exclusion E1 and can only be evaluated under the criteria established in Exclusion E3 (See Figure E3.6 and E3.7).

Note: This is a new diagram developed by the BEPWG to provide clarification in the application of the BES definition.

* The presence of the sub-50 kV loops (see text box below) establishes multiple points of connection (more than two (2)) at a voltage level of 100 kV or higher to the Transmission System. Therefore, this scenario cannot be analyzed under Exclusion E1, however, the configuration shown may be eligible for exclusion as a 'local network' (E3).

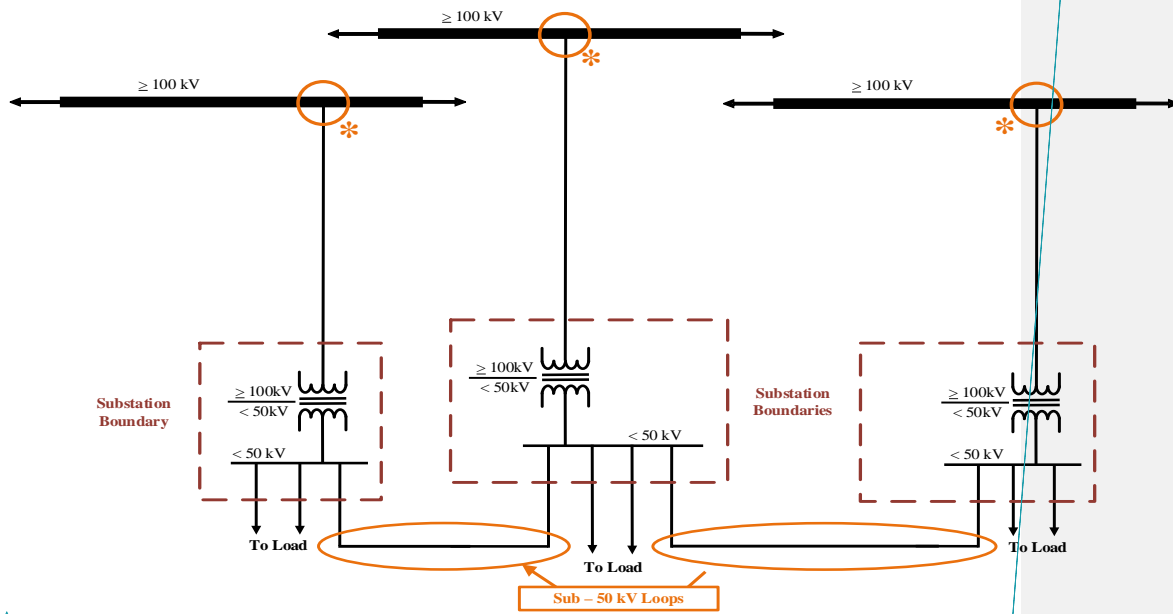


Figure E1.4: Impact of Sub-100 kV Looped Facilities with Multiple Points of Connection

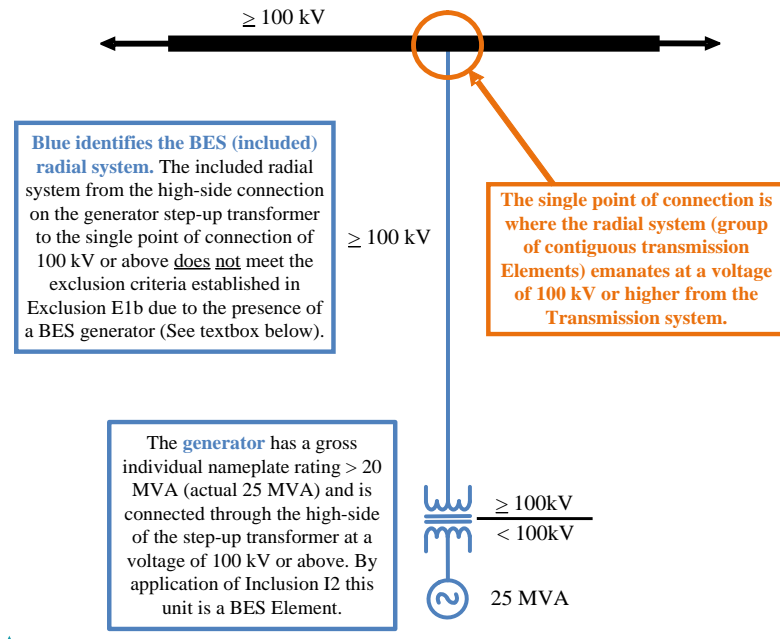
III.1 BES Exclusion E1

Formatted: Heading 2,Section Heading,Appendix Heading 2, Justified

E1.b:—Generation Only

Formatted: Font: Not Bold, No underline

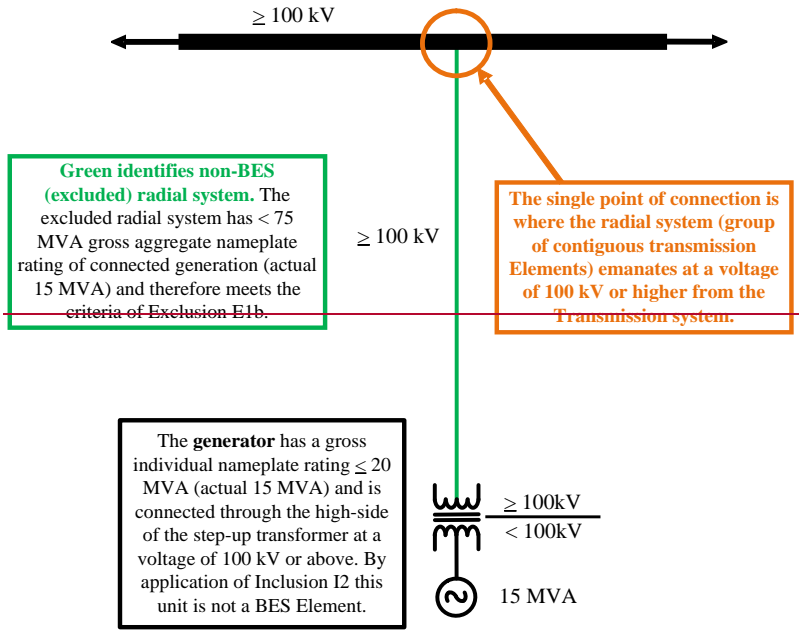
Figure E1.5 depicts a radial system with a single generation resource (non-retail) and no Load.



Field Code Changed

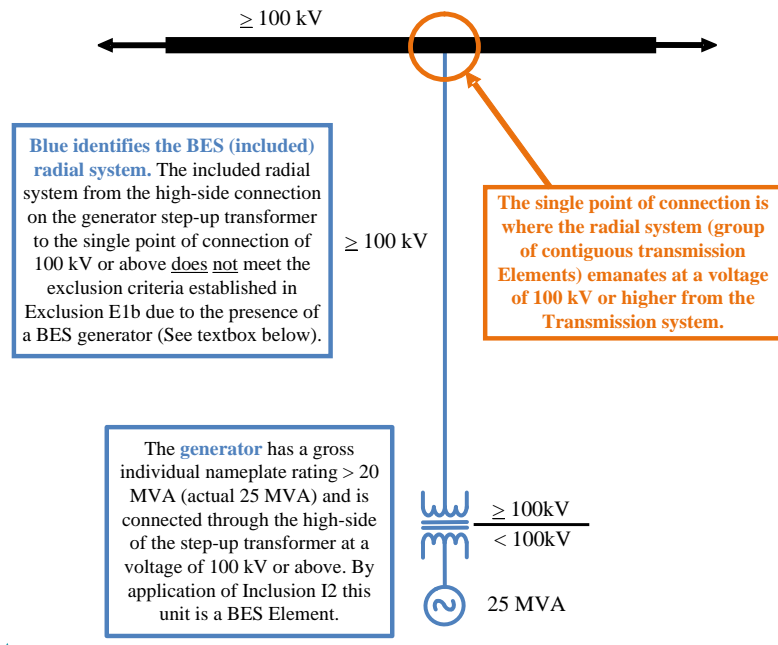
Figure E1.5: Radial System—Single BES Generation Resource

Figure E1.6 depicts a radial system with a single generation resource (non-retail) and no Load.



Formatted: Justified
 Formatted: Font color: Blue
 Formatted: Justified, Space After: 0 pt

III.1 BES Exclusion E1



Field Code Changed

Figure E1.6-4: Radial System ~~non~~-BES Generation Resource

Formatted: Caption

Formatted: Justified

Figure E1.7-5 depicts a radial system with a single generation resource (non retail) and no Load.

Formatted: Font color: Blue

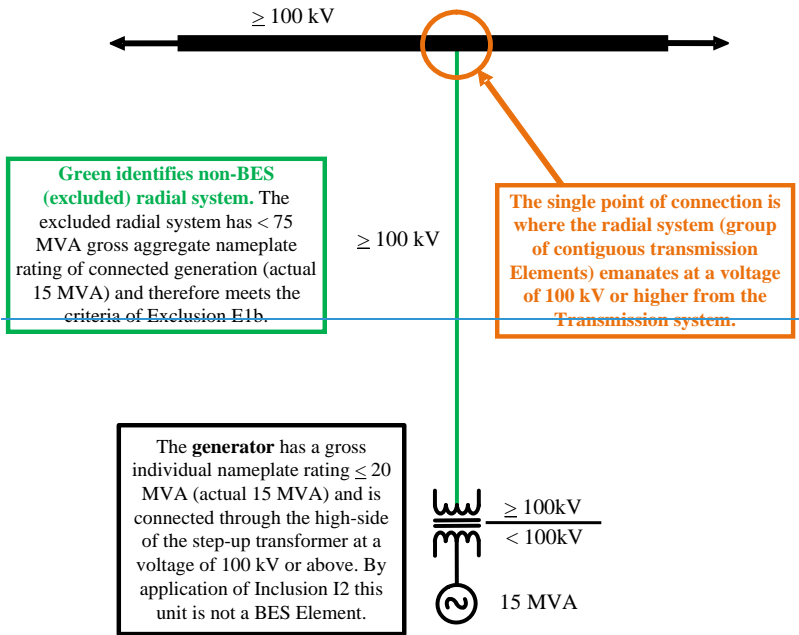
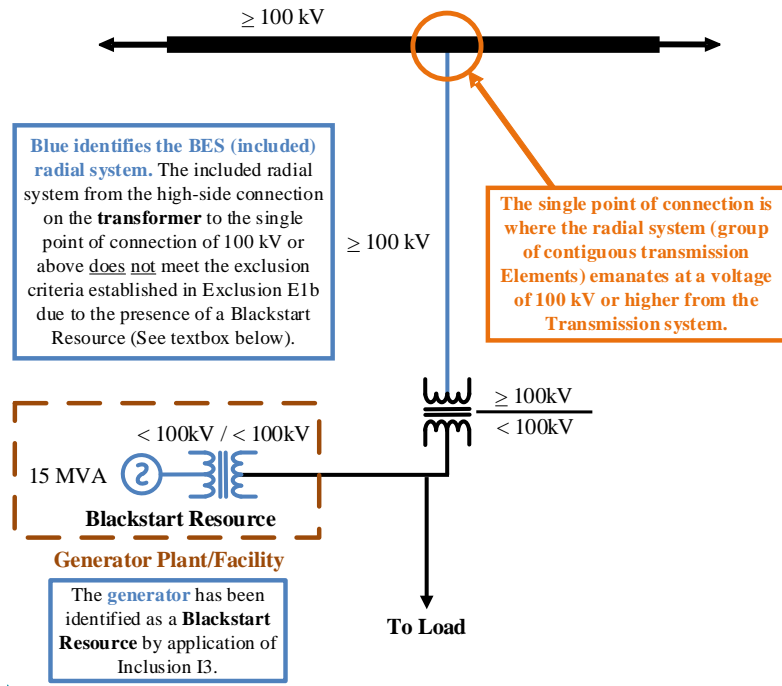


Figure E1-5: Radial System: Single non-BES Generation Resource

Figure E1-6 depicts a radial system with a Blackstart Resource, and no Load. The Radial System does not meet the exclusion criteria of E1.b due to the presence of the Blackstart Resource.



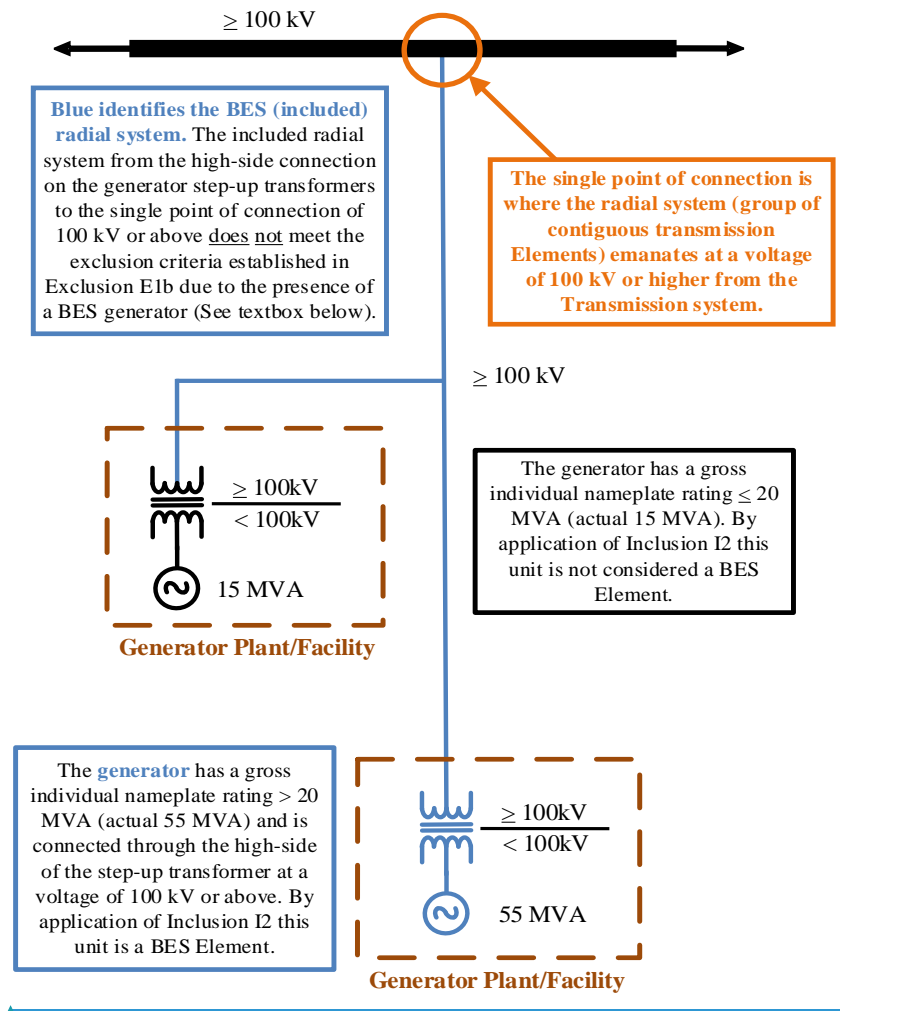
Formatted: Justified

Formatted: Font color: Blue

Field Code Changed

Figure E1.8-7 depicts a radial system with multiple generation resources (non-retail) and no Load. Since the area under consideration does not meet the criteria established by Exclusion E1.b, further evaluation of the underlying Elements may be appropriate. Each underlying Element must meet the criteria established by Exclusion E1, including parts a, b, or c, to qualify for exclusion from the BES. Such evaluations are not shown in Figure E1.8-7, which concentrates on the bigger picture, but are detailed in the summary diagrams in Chapter Section IV, where the hierarchical application of the definition is described and shown.

- Formatted: Font color: Blue
- Formatted: Font color: Blue
- Formatted: Font: Bold, Font color: Blue
- Formatted: Font color: Blue



Field Code Changed

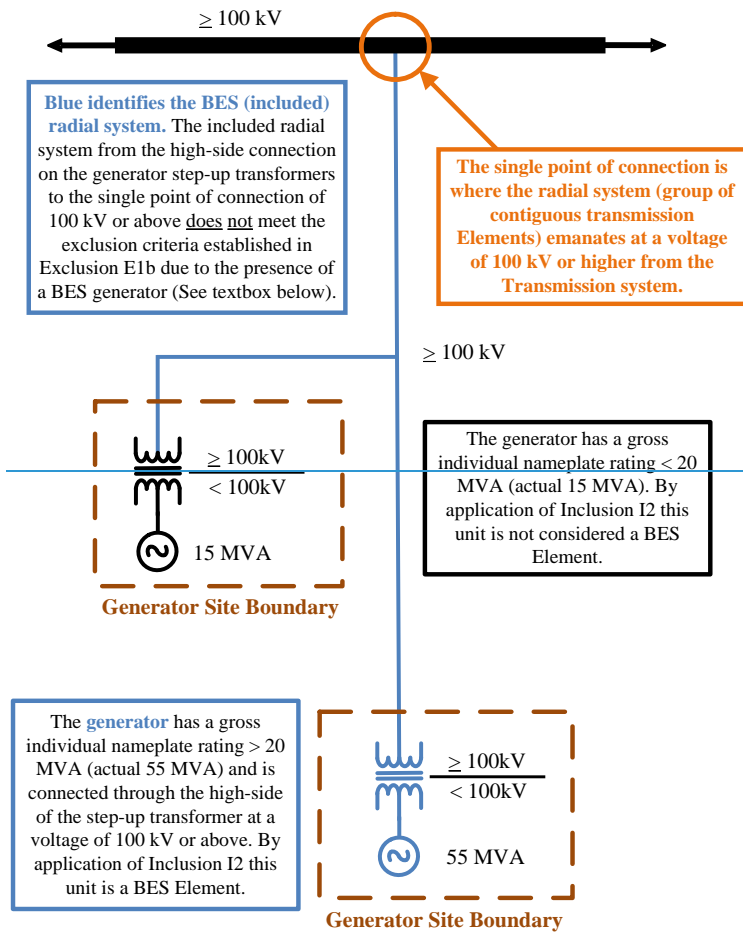
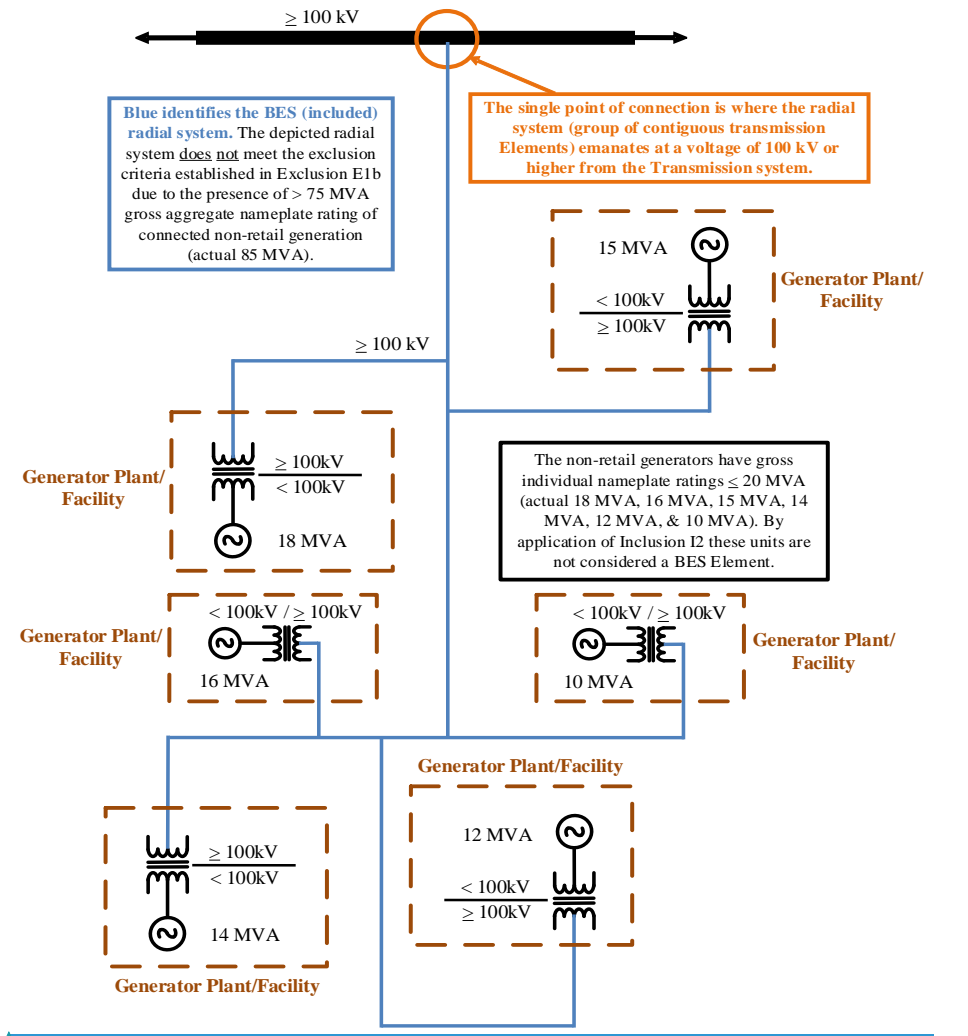


Figure E1.8-7: Radial System with Multiple (BES and non-BES) Generation Resources (Non-Retail)

Formatted: Caption

Figure E1.9-8 depicts a radial system with multiple generation resources and no Load. The aggregate gross nameplate values of the generation resources exceed the 75 MVA threshold established by Exclusion E1.b. Since the area under consideration does not meet the criteria established by Exclusion E1.b, further evaluation of the underlying Elements may be appropriate. Each underlying Element must meet the criteria established by Exclusion E1, including parts a, b, or c, to qualify for exclusion from the BES. Such evaluations are not shown in Figure E1.9-8, which concentrates on the bigger picture, but are detailed in the summary diagrams in Chapter Section IV, where the hierarchical application of the definition is described and shown.

- Formatted: Font color: Blue
- Formatted: Justified
- Formatted: Font color: Blue
- Formatted: Font: Bold, Font color: Blue
- Formatted: Font color: Blue
- Field Code Changed



III.1 BES Exclusion E1

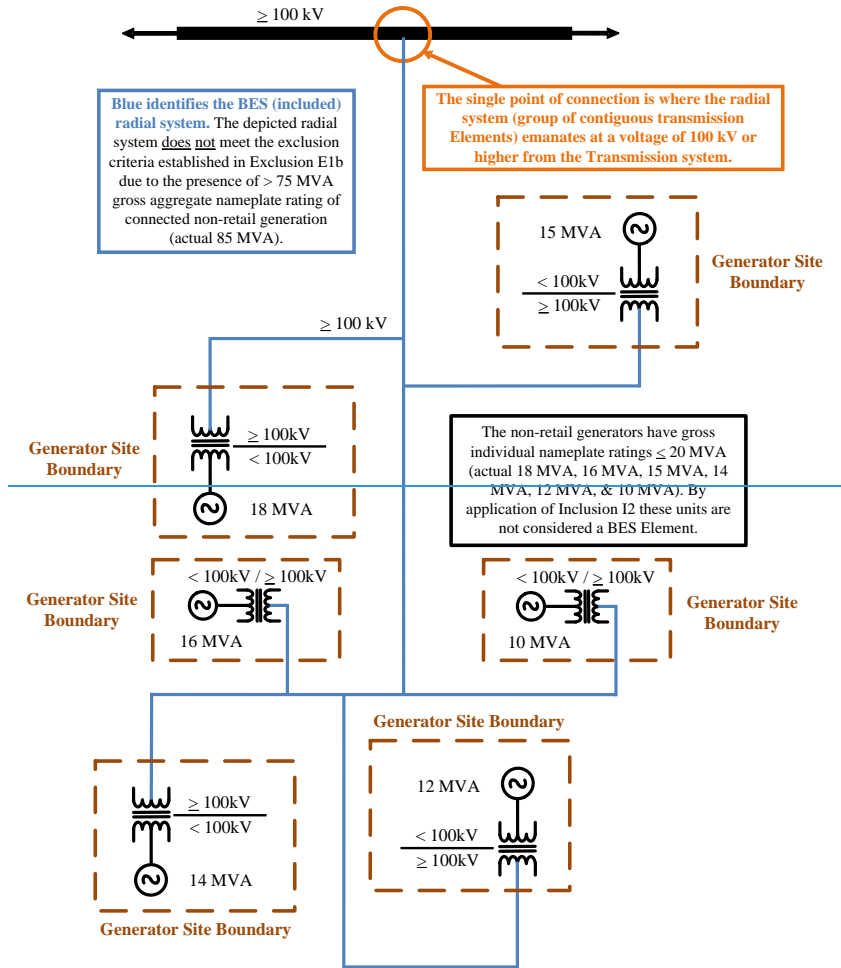
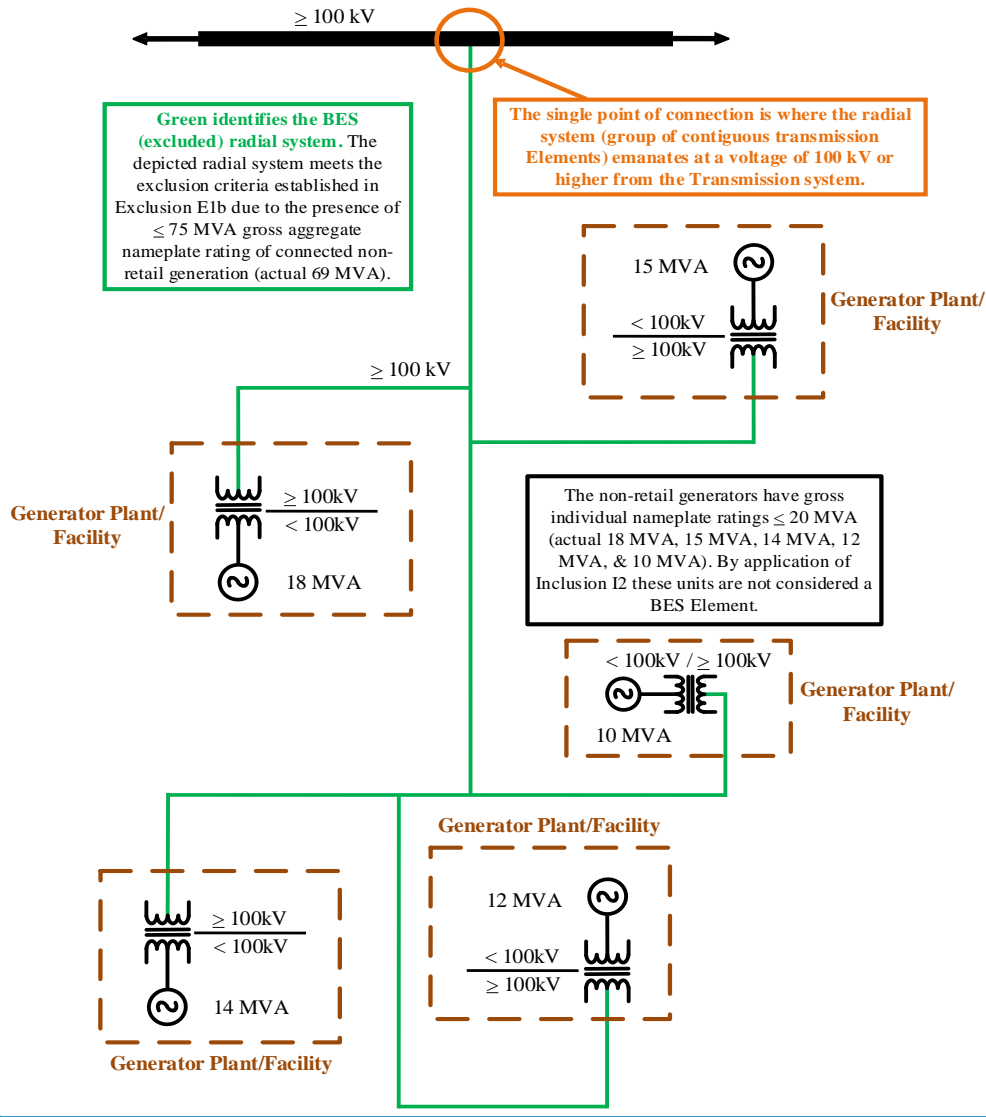


Figure E1.9-8: Radial System with Multiple (non-BES) Generation Resources (Non-Retail)

Formatted: Caption

Figure E1.10-9 depicts a radial system with multiple generation resources and no Load.



Formatted: Justified

Formatted: Font color: Blue

Formatted: Font color: Blue

Field Code Changed

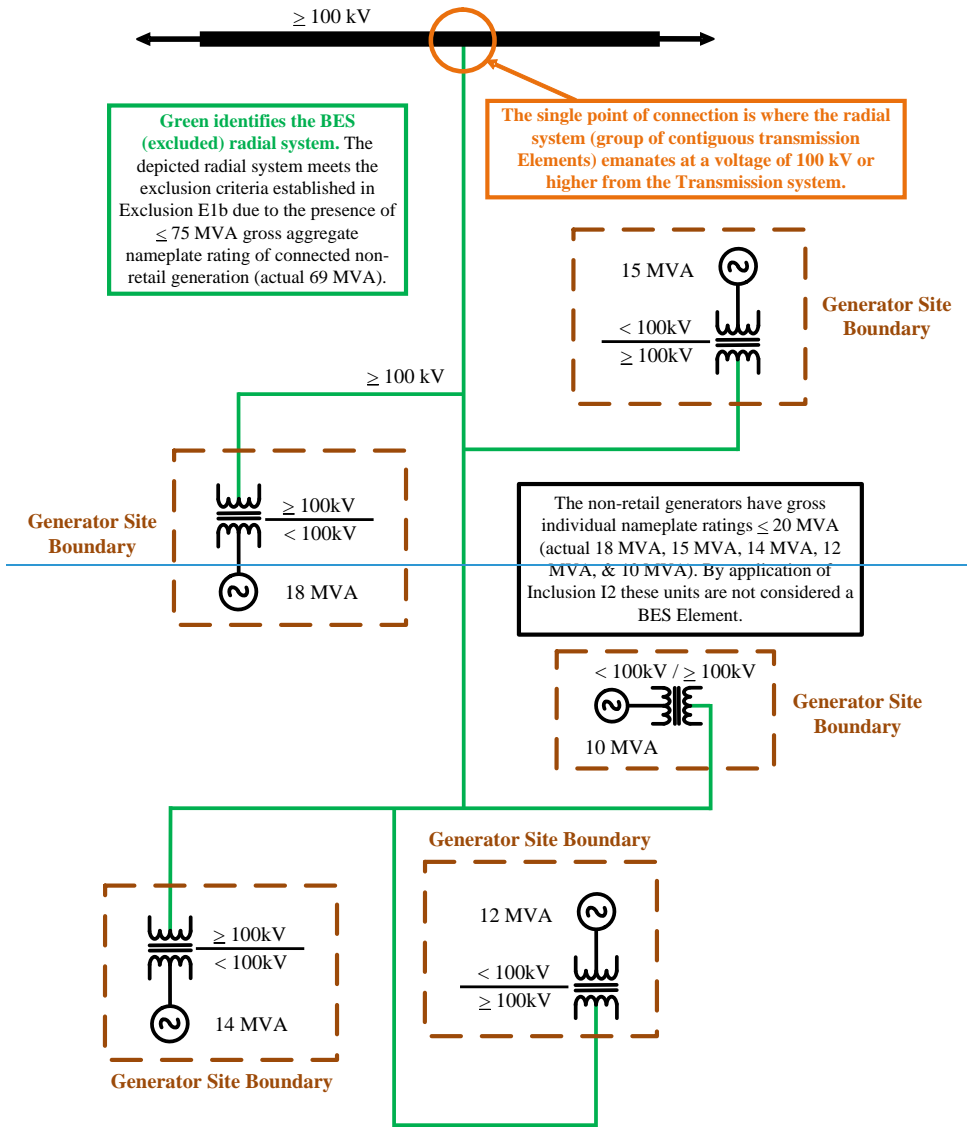
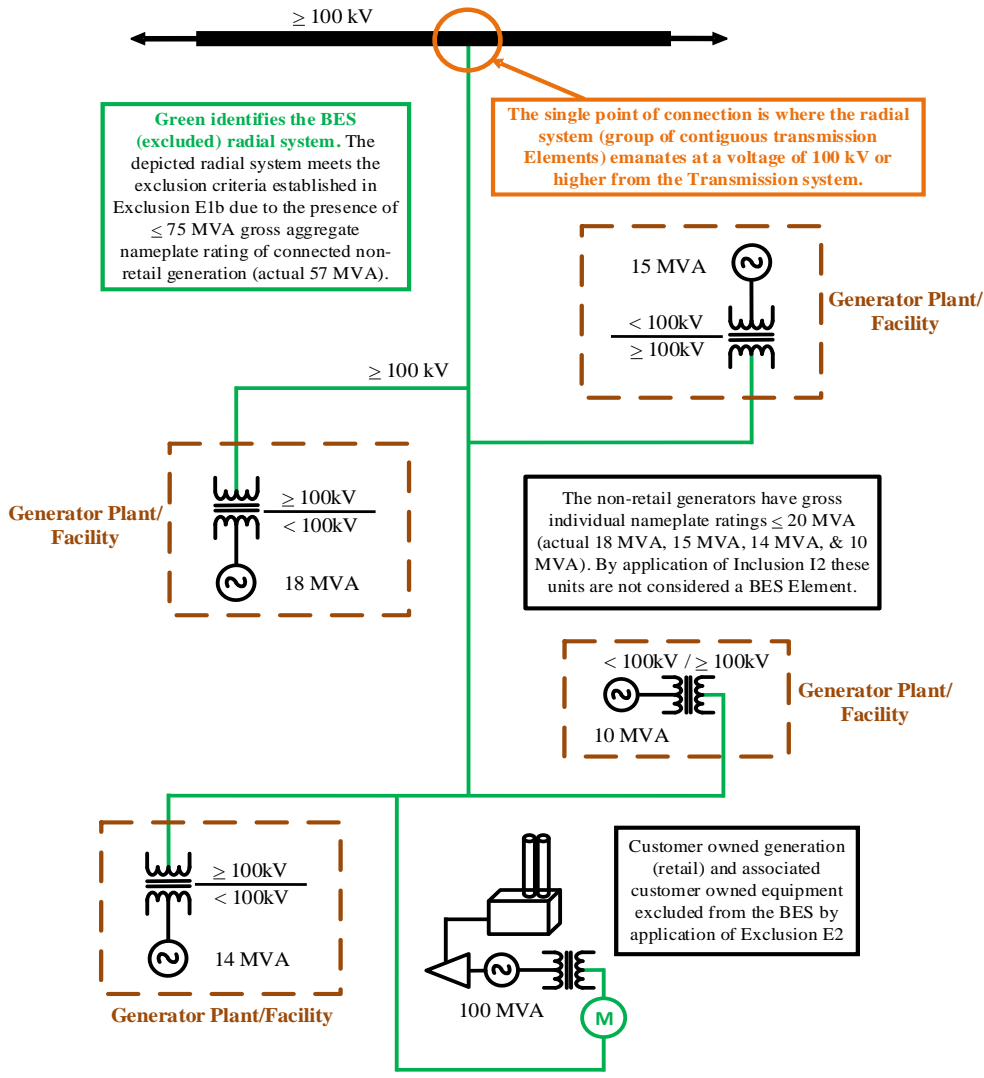


Figure E1.10-9: Radial System with Multiple (non-BES) Generation Resources (Non-Retail)

Formatted: Justified

Figure E1.11-19 depicts a radial system with multiple generation resources (retail and non-retail) and no Load. The customer owned generation (retail) and associated customer owned equipment are excluded from the BES by application of Exclusion E2 and is not considered a component of the aggregated total generation within the radial system.



Formatted: Font color: Blue
 Formatted: Font color: Blue

Field Code Changed

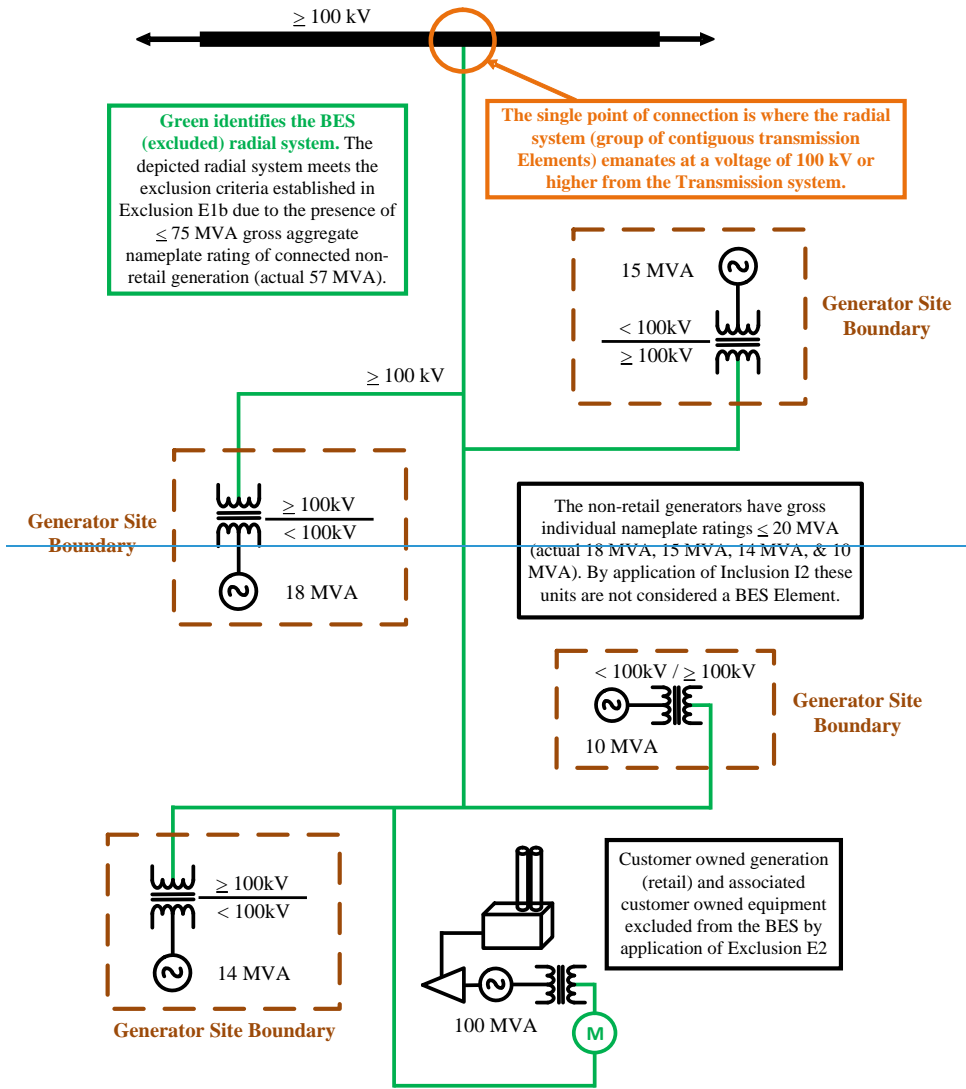


Figure E1.11-10: Radial System with Multiple (non-BES) Generation Resources (Retail and Non-Retail)

Formatted: Caption

E1.c:— Generation and Serves Load

Figure E1-11 depicts a radial system with generation resources (non-retail) that also serves load. Since the area under consideration does not meet the criteria established by Exclusion E1.c, further evaluation of the underlying Elements may be appropriate. Each underlying Element must meet the criteria established by Exclusion E1, including parts a, b, or c, to qualify for exclusion from the BES. Figure E1.12 Such evaluations are not shown in Figure E1-11, which concentrates on the bigger picture, but are detailed in the summary diagrams in Section IV where the hierarchical application of the definition is described and shown.

Formatted: Heading 2,Section Heading,Appendix Heading 2, Justified

Formatted: Font: Not Bold, No underline

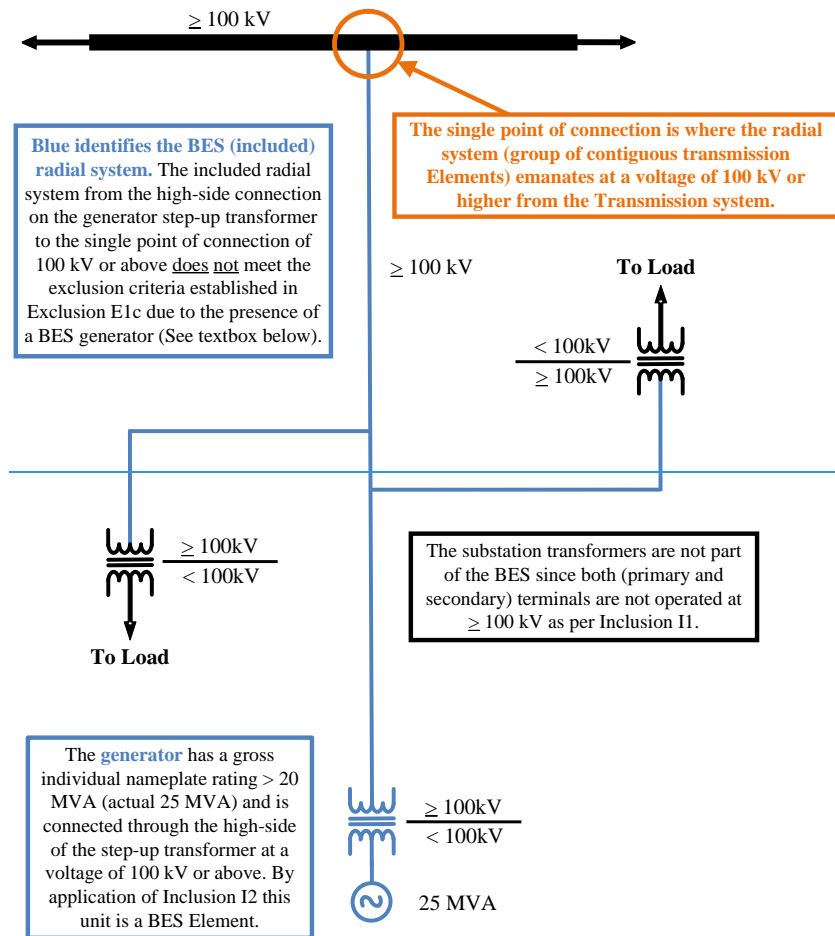


Figure E1-11: Radial System: Generation Resource (Non-Retail) & Serving Load

Figure E1-12 depicts a radial system with generation resources (non-retail) that also serves Load.

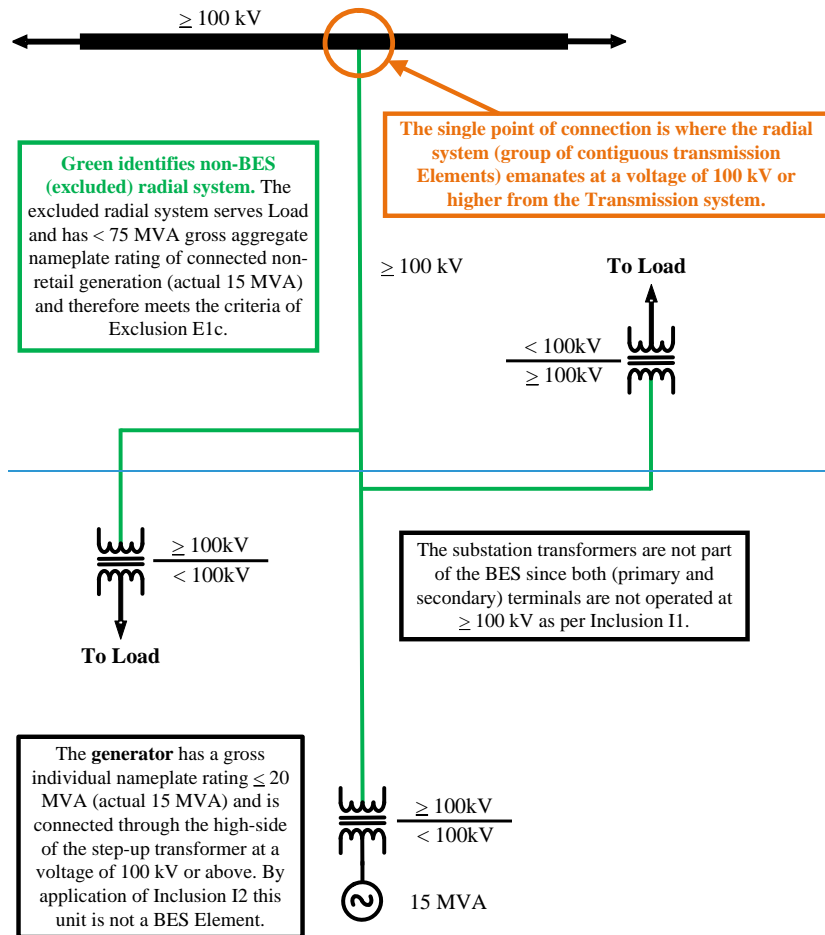
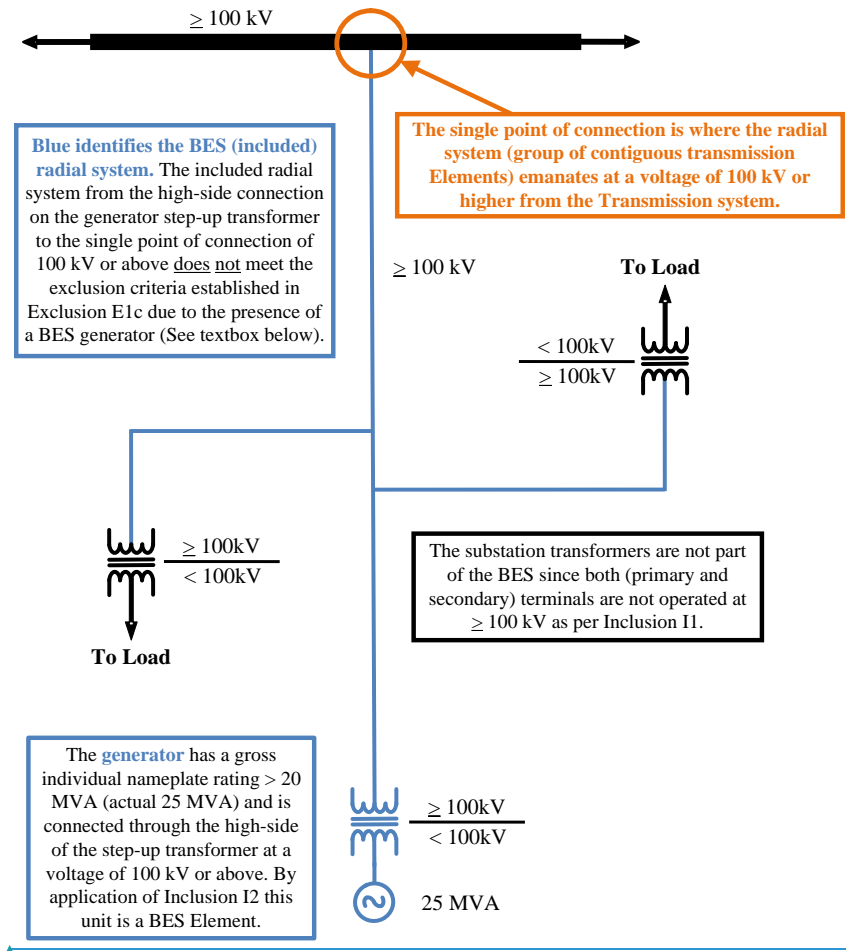


Figure E1-12: Radial System: Generation Resource (Non-Retail) & Serving Load

Figure E1-13 depicts a radial system with generation resources (non-retail) that also serves Load. Since the area under consideration does not meet the criteria established by Exclusion E1.c, further evaluation of the underlying Elements may be appropriate. Each underlying Element must meet the criteria established by Exclusion E1, including parts a, b, or c, to qualify for exclusion from the BES. Such evaluations are not shown in Figure E1.12-13, which concentrates on the bigger picture, but are detailed in the summary diagrams in Chapter 5 where the hierarchical application of the definition is described and shown.

Formatted: Font: Bold, Font color: Blue

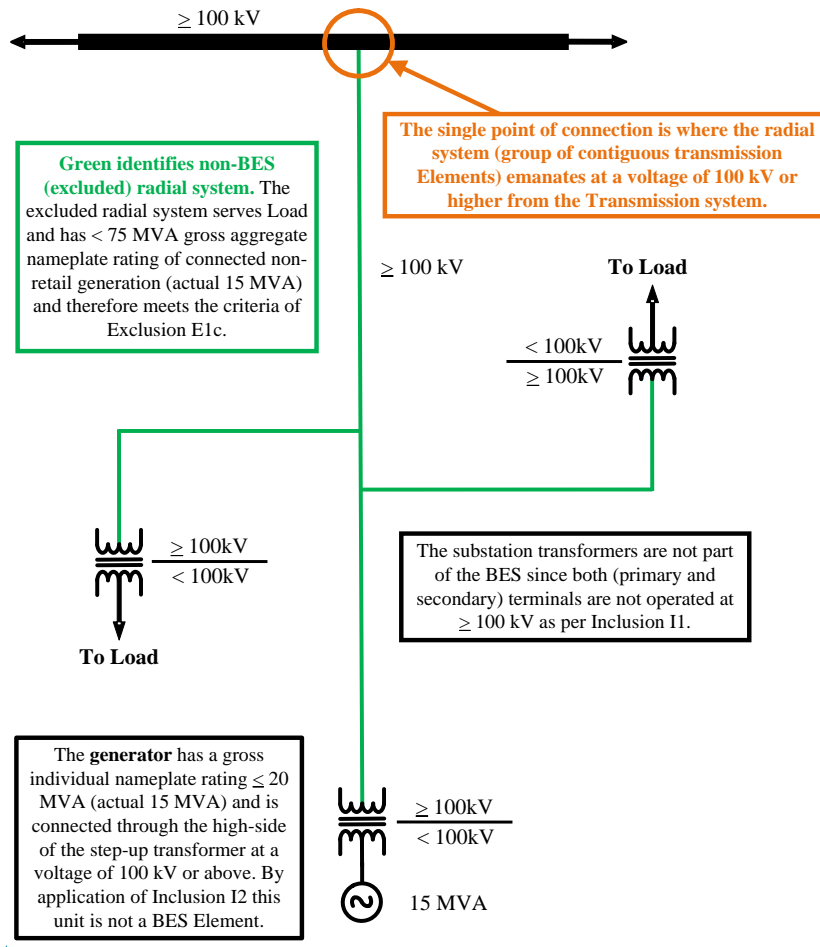
Formatted: Font: Bold, Font color: Blue



Field Code Changed

Figure E1.12: Radial System—Generation Resource (Non-Retail) and Serving Load

Figure E1.13 depicts a radial system with generation resources (non-retail) that also serves Load.

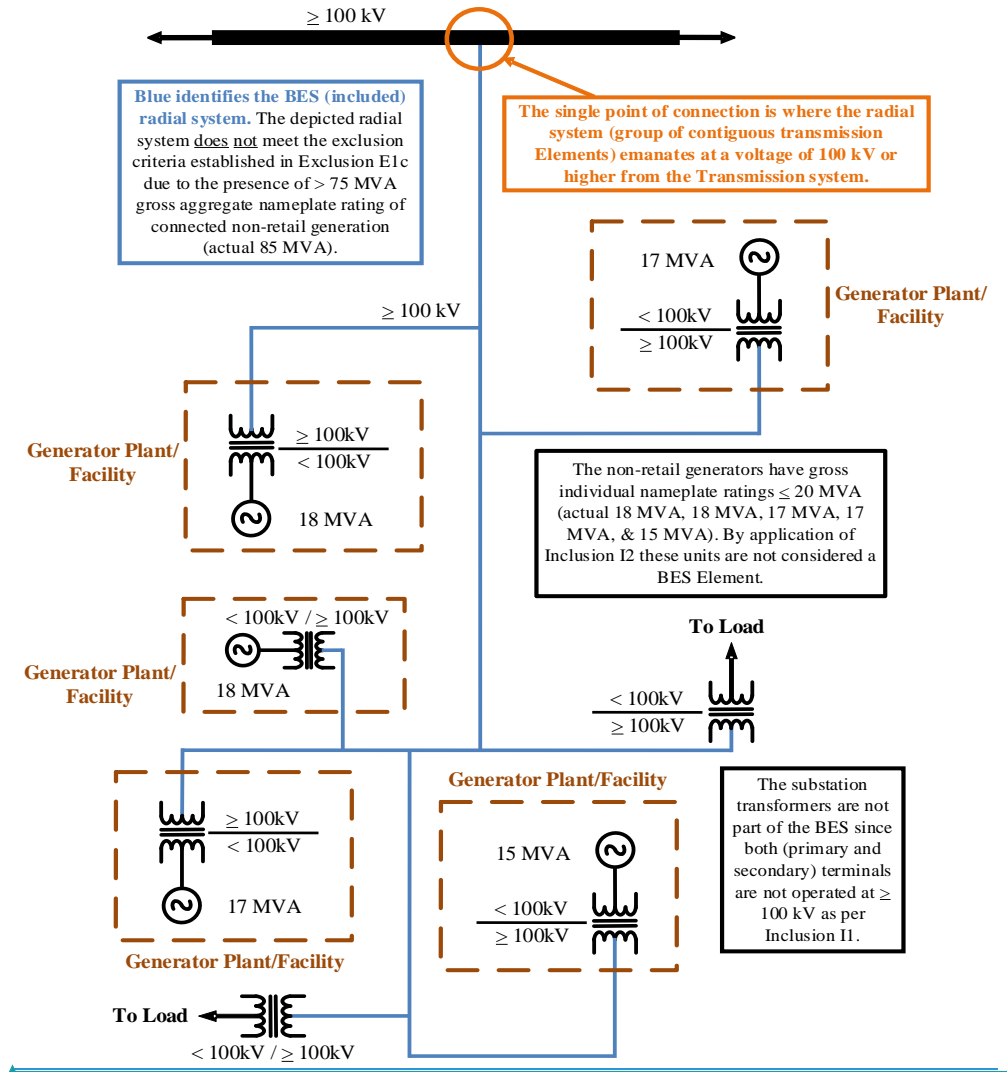


Field Code Changed

Figure E1.13: Radial System—Generation Resource (Non-Retail) and Serving Load

Formatted: Justified

Figure E1.14 depicts a radial system with generation resources (non-retail) that also serves Load. Section IV Since the area under consideration does not meet the criteria established by Exclusion E1.c, further evaluation of the underlying Elements may be appropriate. Each underlying Element must meet the criteria established by Exclusion E1, including parts a, b, or c, to qualify for exclusion from the BES. Such evaluations are not shown in Figure E1.13, which concentrates on the bigger picture, but are detailed in the summary diagrams in Chapter 5 where the hierarchical application of the definition is described and shown.



Formatted: Font color: Blue

Field Code Changed

III.1 BES Exclusion E1

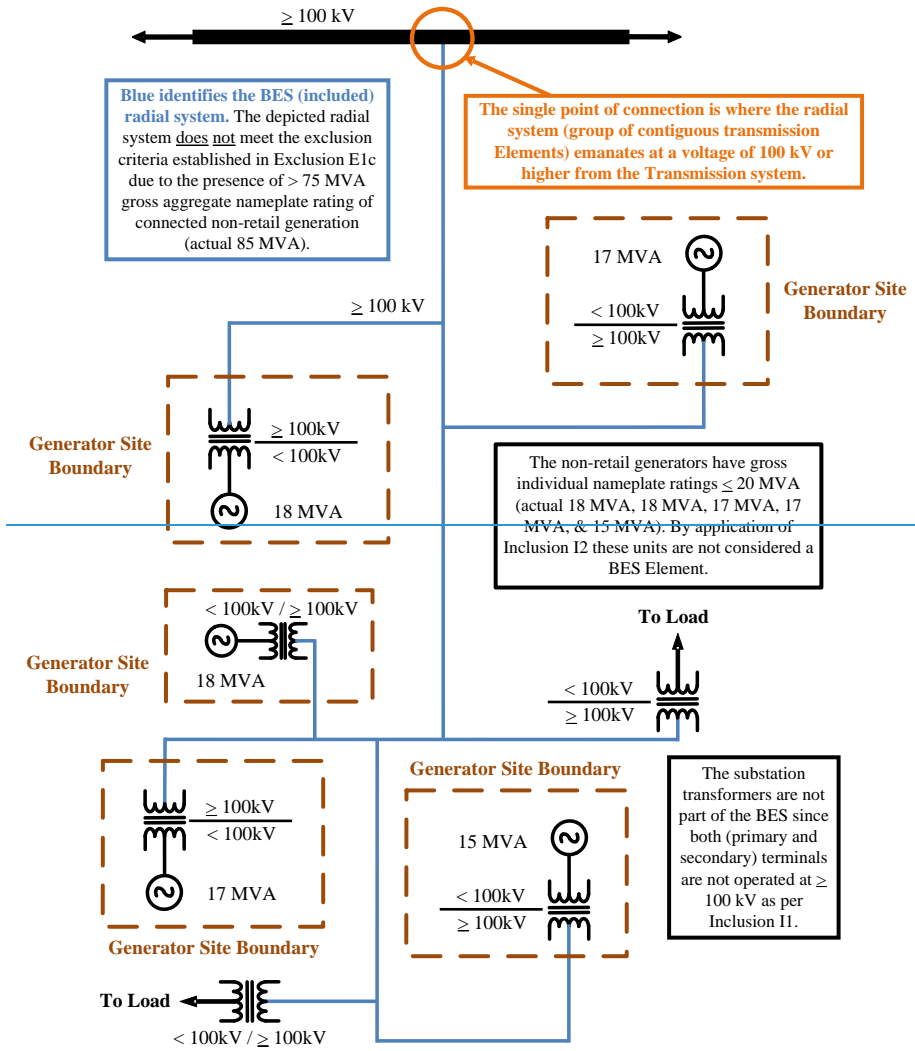
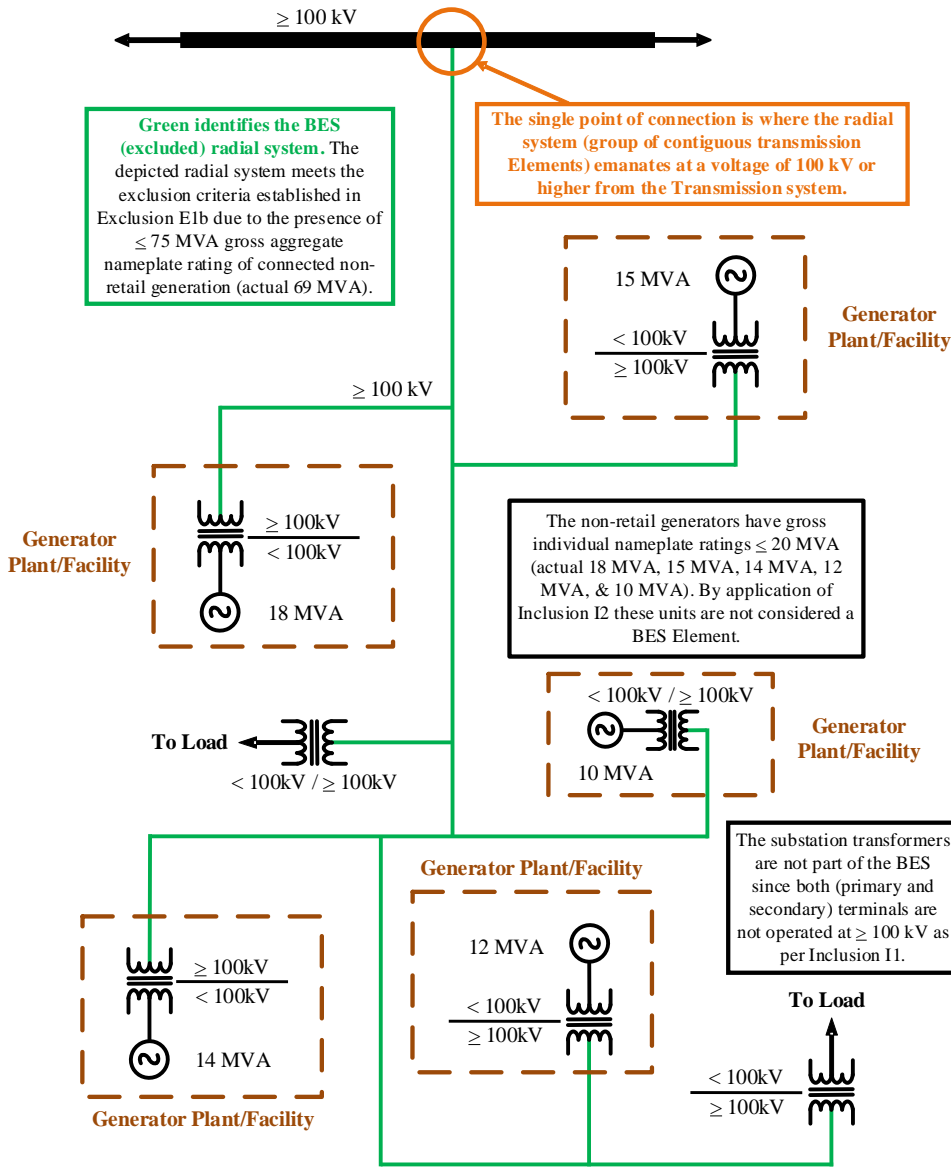


Figure E1-1443: Radial System → Generation Resource (Non-Retail) and Serving Load

Formatted: Caption

Figure E1.15–14 depicts a radial system with generation resources (non-retail) that also serves Load.

Formatted: Justified
 Formatted: Font color: Blue
 Formatted: Font color: Blue
 Field Code Changed



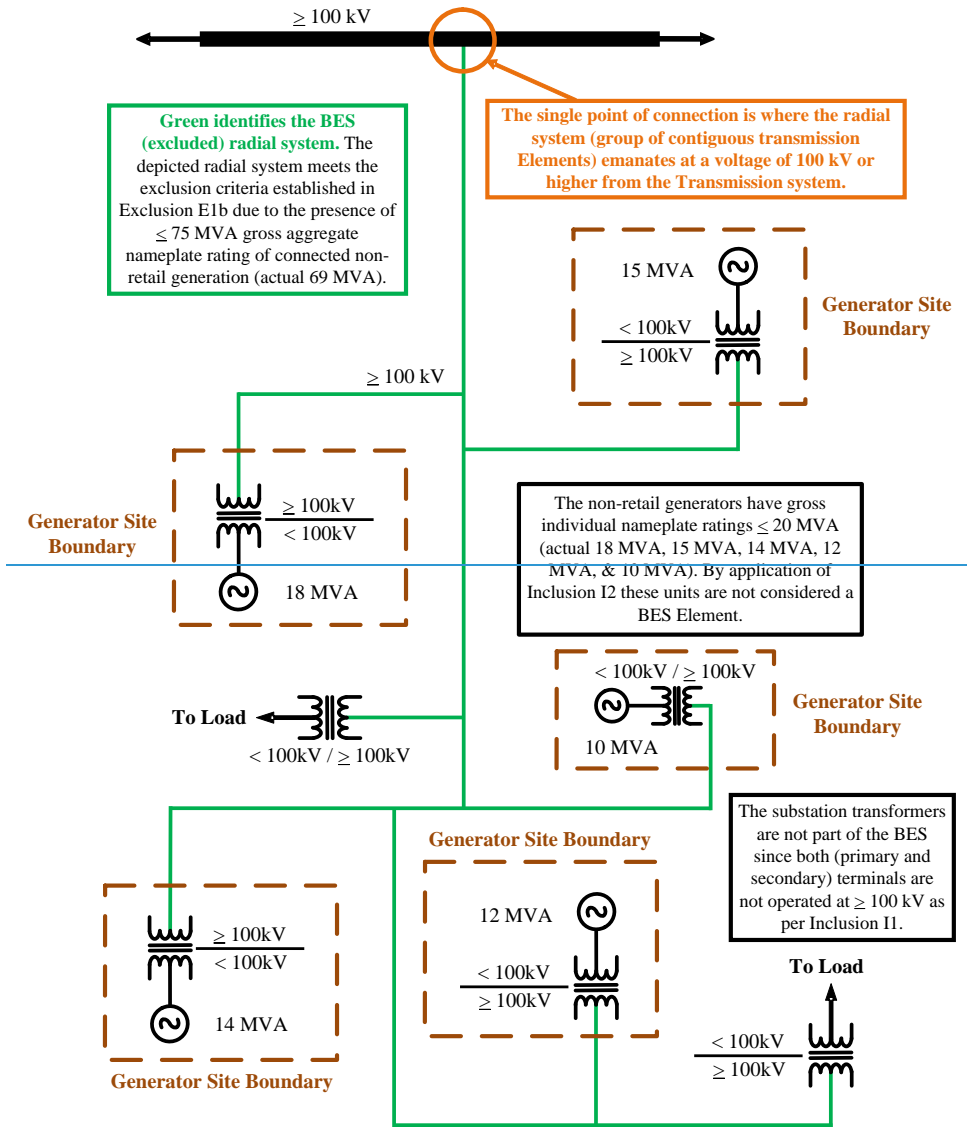
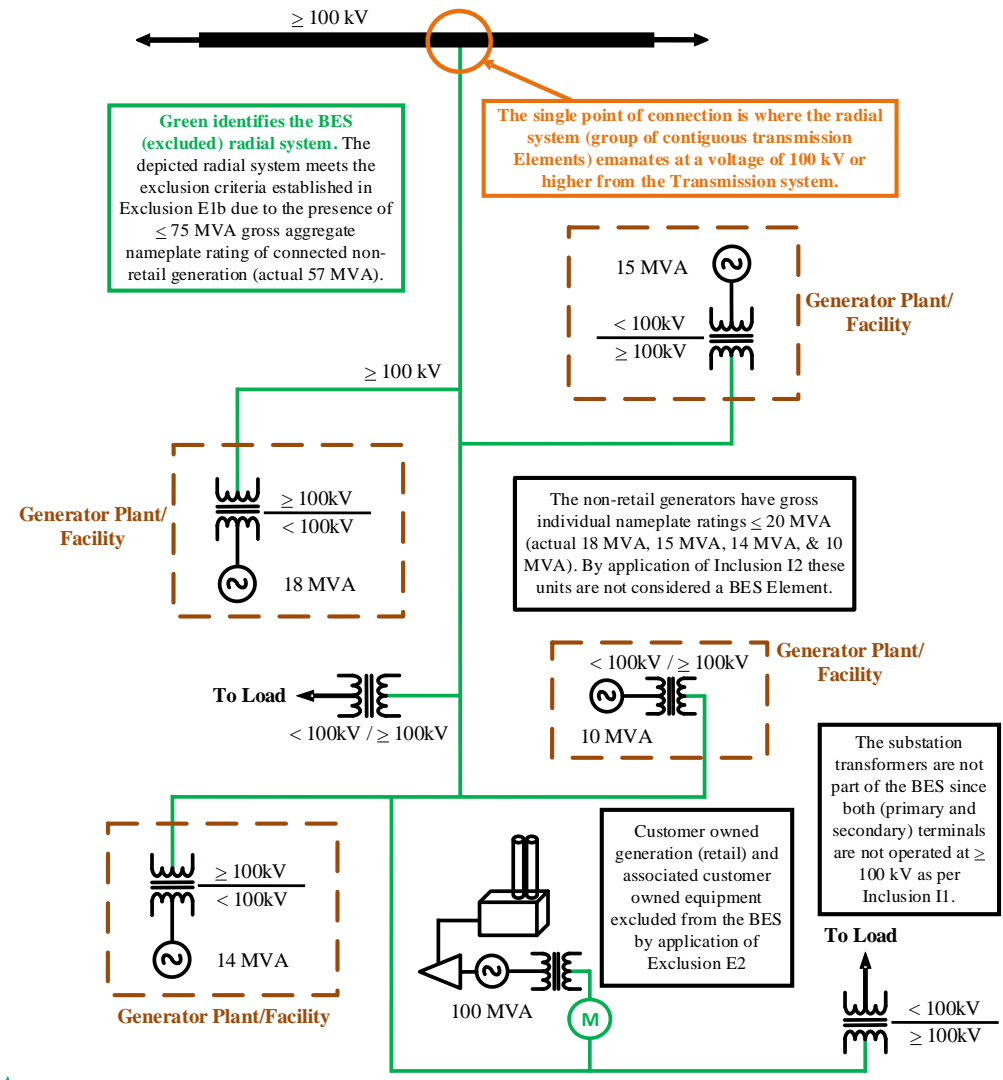


Figure E1-1544: Radial System → Generation Resource (Non-Retail) and Serving Load

Formatted: Justified

Figure E1.16–15 depicts a radial system with generation resources (retail and non-retail) that also serves Load.



Formatted: Font color: Blue

Formatted: Font color: Blue

Field Code Changed

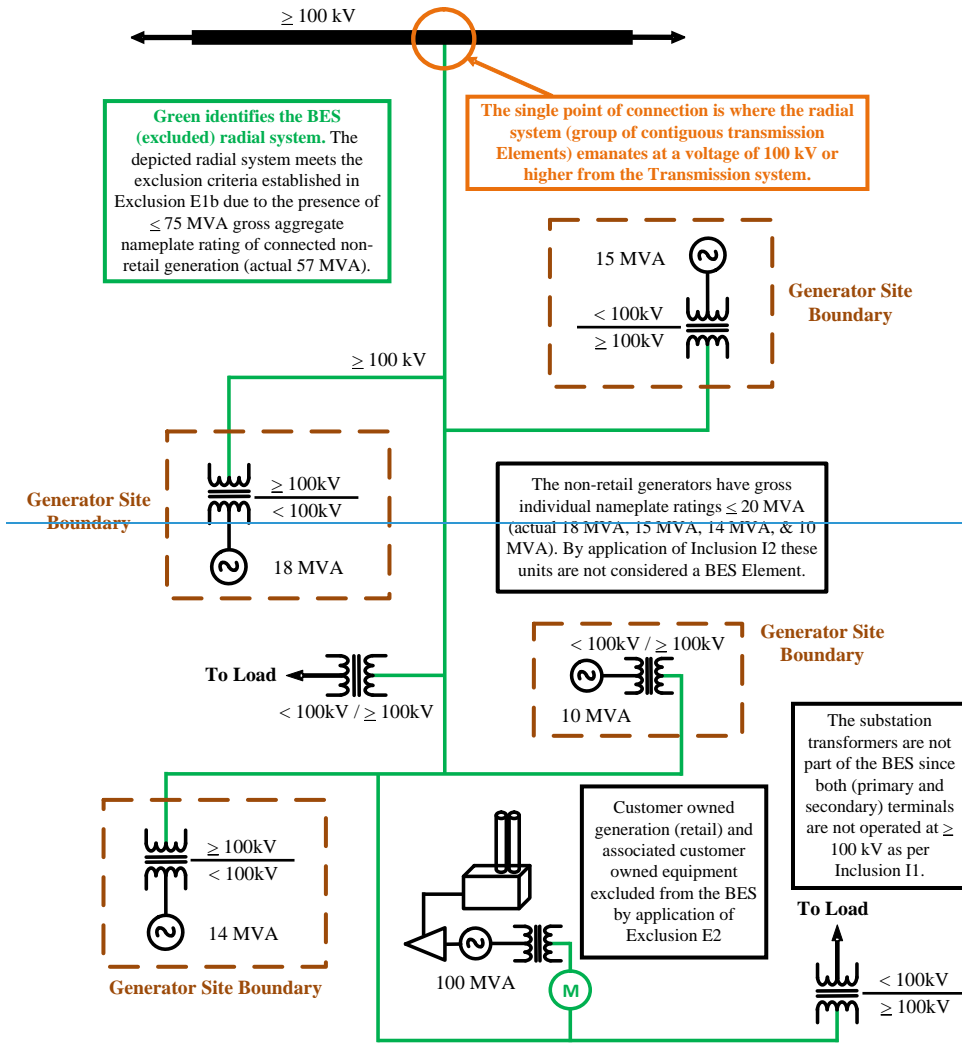


Figure 1.16E1-15: Radial System — Generation Resource (Retail and Non-Retail) and Serving Load

Formatted: Justified

Normally Open Switching Device

Radial systems should be assessed with all normally open (N.O.) devices in the open position. N.O. devices installed at any voltage level will not prevent the owner or operator from using this exclusion. The N.O. device(s) must be identified as such on prints and one-line diagrams that are used by the operating entity.

Figure E1.17-46 depicts multiple radial systems separated by a N.O. switching device operated at 100 kV or above.

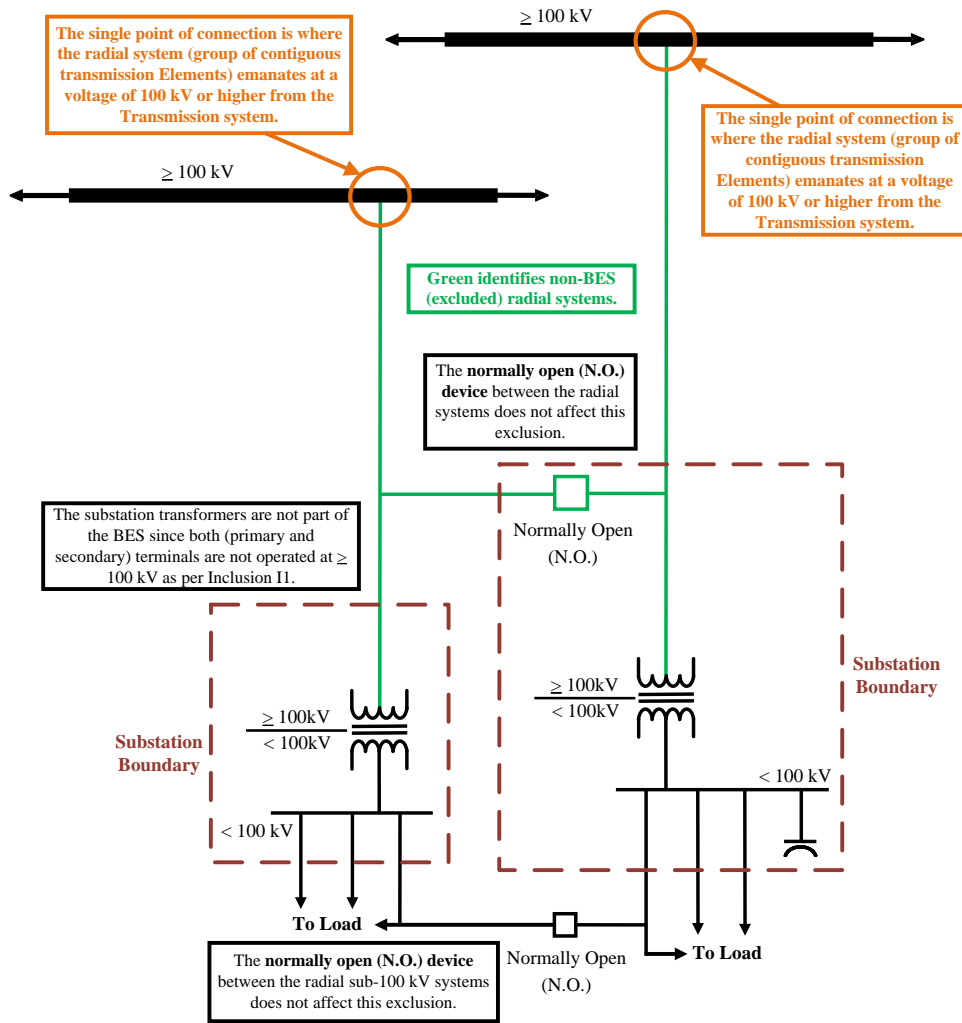


Figure E1.17-46: Radial System—Normally Open Switching Device between Load Serving Radial Systems

Formatted: No underline

Formatted: Font: Not Bold, No underline

Formatted: Font color: Blue

Formatted: Font color: Blue

Formatted: Normal, Justified

Formatted: Normal, Justified

III.1 BES Exclusion E1

FERC Order No. 773 directed implementation of the revised BES definition to take into account the impact of sub-100 kV looped Facilities regardless of voltage level altering previous guidance on the evaluation of radial systems. This meant that if there was a connection at the sub-100 kV level between two systems that would previously have been considered as radial, said systems could not be evaluated for possible radial system exclusion. However, the drafting team developed a technical justification establishing 50 kV as a threshold value for sub-100 kV looped facilities. -If the sub-100 kV loop is 50 kV or less, it was shown that it would not have an impact on the BES and thus an entity could still apply Exclusion E1 to the configuration.- If the loop in question was greater than 50 kV, then an entity could not consider the systems as radial and would need to evaluate them under the criteria of Exclusion E3 if seeking to exclude the Facilities from the BES.

The evaluation of sub-100 kV loops associated with the evaluation of Elements under the E1 exclusion is used as a “qualifier” for the potential exclusion of the Elements that operate at or above 100 kV:

- Failure to meet the “bright-line” criteria established by Exclusion E1 does not result in the inclusion of the sub-100 kV loops in the BES.
- Order No. 773, paragraph 155 states:
 - “Thus, the following:
 - “Thus, the Commission, while disagreeing with NERC’s interpretation, does not propose to include the below 100 kV elements in figure 3 in the bulk electric system, unless determined otherwise in the exception process.”
 - Order No. 773-A, paragraph 36 states *Commission, while disagreeing with NERC’s interpretation, does not propose to include the below 100 kV elements in figure 3 in the bulk electric system, unless determined otherwise in the exception process.*
- Order No. 773-A, paragraph 36 states the following:
 - “Moreover, as noted in the Final Rule, the sub-100 kV elements comprising radial systems and local networks will not be included in the bulk electric system, unless determined otherwise in the exception process.”

Note: Figures E1.18-17 through E1.22-20 depict scenarios that require evaluation based on the criteria established in the BES definition as revised by the FERC Order and described above.

- Formatted: Font: (Default) +Body (Calibri)
- Formatted: Font: (Default) +Body (Calibri)
- Formatted: List Bullet, Tab stops: Not at 0.5"
- Formatted: Font: (Default) +Body (Calibri)
- Formatted: Font: (Default) +Body (Calibri), No underline
- Formatted: Font: (Default) +Body (Calibri)
- Formatted: Font: (Default) +Body (Calibri), No underline
- Formatted: Font: (Default) +Body (Calibri)
- Formatted: Font: (Default) +Body (Calibri)
- Formatted: Bulleted + Level: 1 + Aligned at: 0.25" + Tab after: 0.5" + Indent at: 0.5", Tab stops: Not at 0.5"
- Formatted: Font: (Default) +Body (Calibri), Not Italic
- Formatted: Font: +Body (Calibri)
- Formatted: Font: +Body (Calibri), Not Italic
- Formatted: Indent: Left: 0.5", Bulleted + Level: 1 + Aligned at: 0.75" + Indent at: 1"
- Formatted: Font: +Body (Calibri)
- Formatted: Font: (Default) +Body (Calibri), Not Italic
- Formatted: List Bullet, Indent: Left: 0.5", Bulleted + Level: 1 + Aligned at: 0.75" + Indent at: 1"
- Formatted: Font: (Default) +Body (Calibri)
- Formatted: Justified
- Formatted: Font color: Auto
- Formatted: Font: Bold, Font color: Auto
- Formatted: Font color: Auto
- Formatted: Font: Bold, Font color: Auto
- Formatted: Font color: Auto

Figure E1.18 depicts multiple radial systems separated by a N.O. switching device operated at 100 kV or above. The presence of the sub-a situation which cannot be evaluated under the criteria established in Exclusion E1 and can only be evaluated under the Exclusion E3 criteria since the underlying loop is ≥ 50 kV loop will not prevent the owner or operator from using this exclusion. (see Figure E3-6).

Formatted: Font color: Blue

Formatted: Font color: Blue

Formatted: Justified

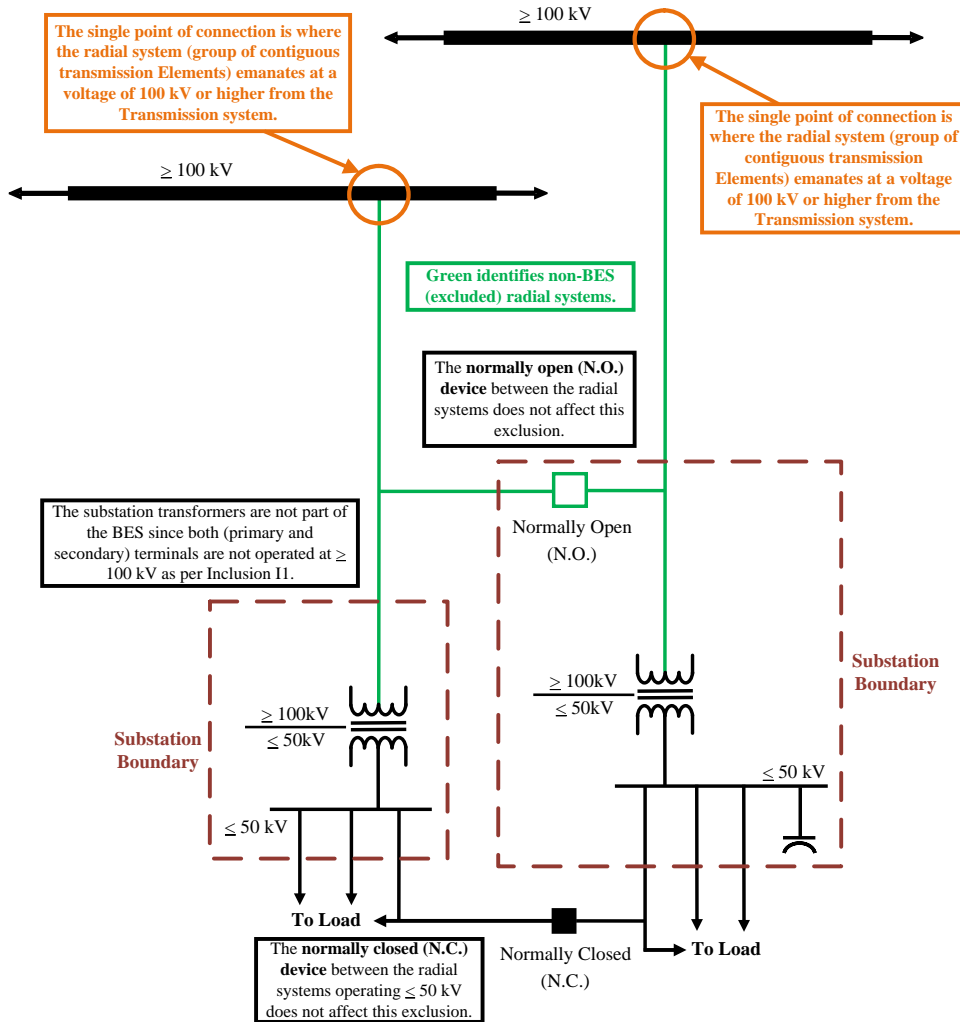
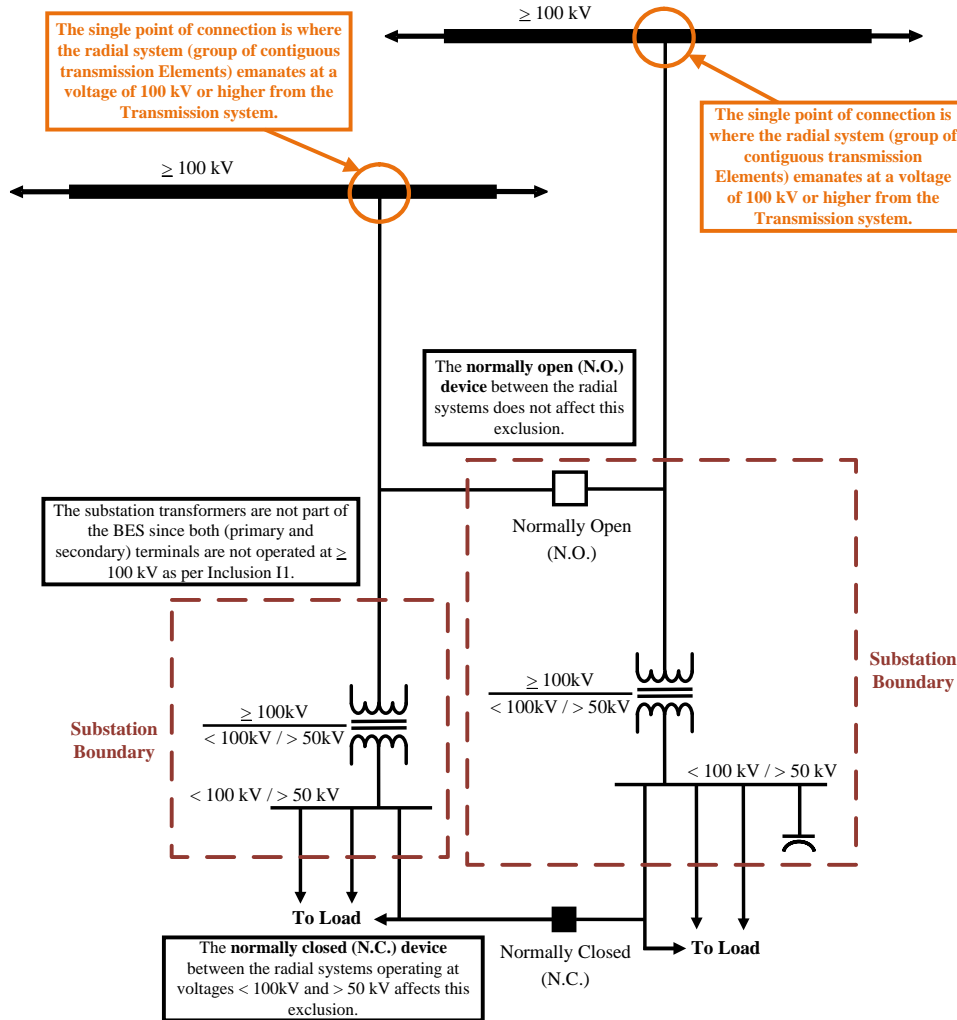


Figure E1.18-47: Radial System with Normally Open Switching Device between Load Serving Radial Systems with a ≤ 50 kV Loop

Formatted: Normal, Justified

Formatted: Caption

Figure E1.19-18 depicts a situation that cannot be evaluated under the criteria established in Exclusion E1 and can only be evaluated under the Exclusion E3 criteria since the underlying loop is ≥ 50 kV (see Figures E3.8 and E3.9-6).



- Formatted: Justified
- Formatted: Font color: Blue
- Formatted: Font color: Blue
- Formatted: Font: Bold, Font color: Blue
- Formatted: Font: Bold, Font color: Blue
- Formatted: Justified

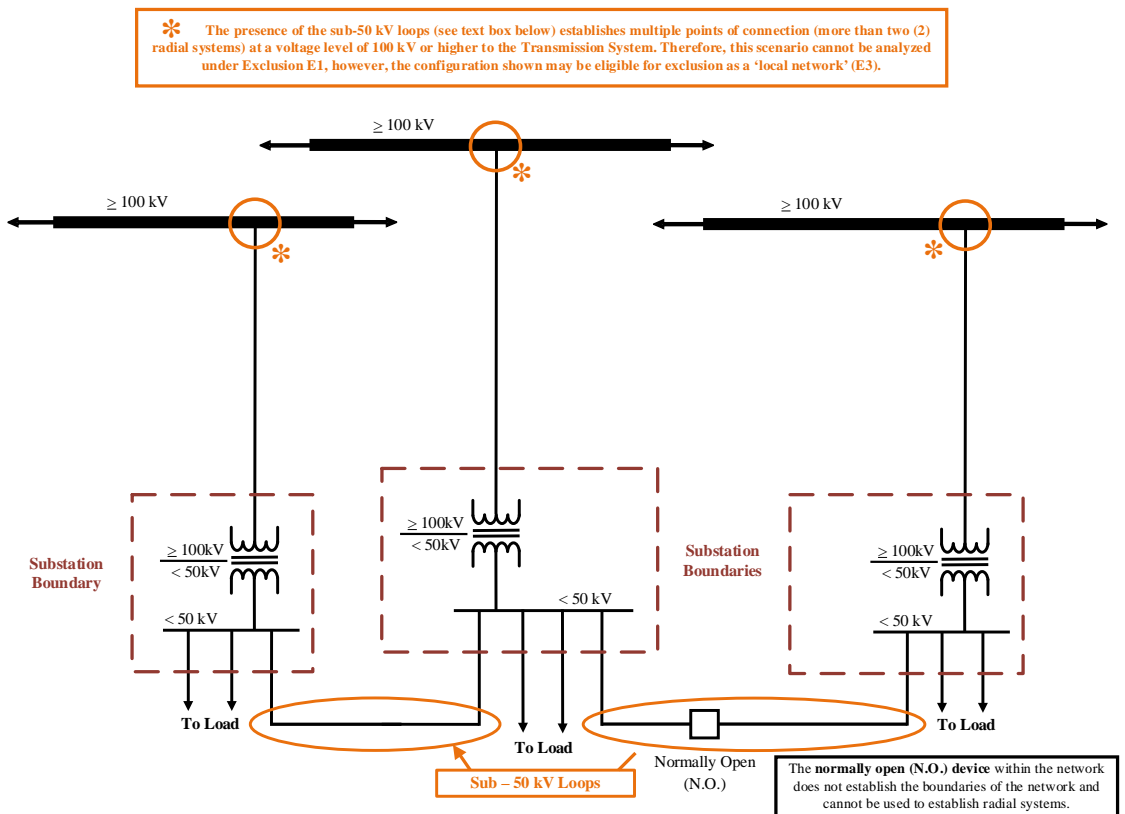
Formatted: Normal, Justified

Formatted: Caption

Figure E1.19-18: Impact of Sub-100 kV Looped Facilities (Switching Devices Identified N.O. ≥ 100 kV and N.C. < 100 kV and > 50 kV)

III.1 BES Exclusion E1

Figure E1.20 depicts a situation that cannot be evaluated under the criteria established in Exclusion E1 and can only be evaluated under the Exclusion E3 criteria since the presence of the sub-50 kV loops establishes multiple points of connection to the Transmission System (see Figures E3.10 and E3.11). Note: This is a new diagram developed by the BEPWG to provide clarification in the application of the BES definition.



Field Code Changed

Figure E1.20: Impact of Sub-100 kV Looped Facilities with Multiple Points of Connection—Normally Open Switching Device between Sub-100 kV Looped Facilities

Figure E.21 Figure E1-19 depicts multiple radial systems with a N.C. switching device operated at 100 kV or above with an underlying loop operating at voltages less or equal to 50 kV.

Formatted: Justified
Formatted: Font color: Blue

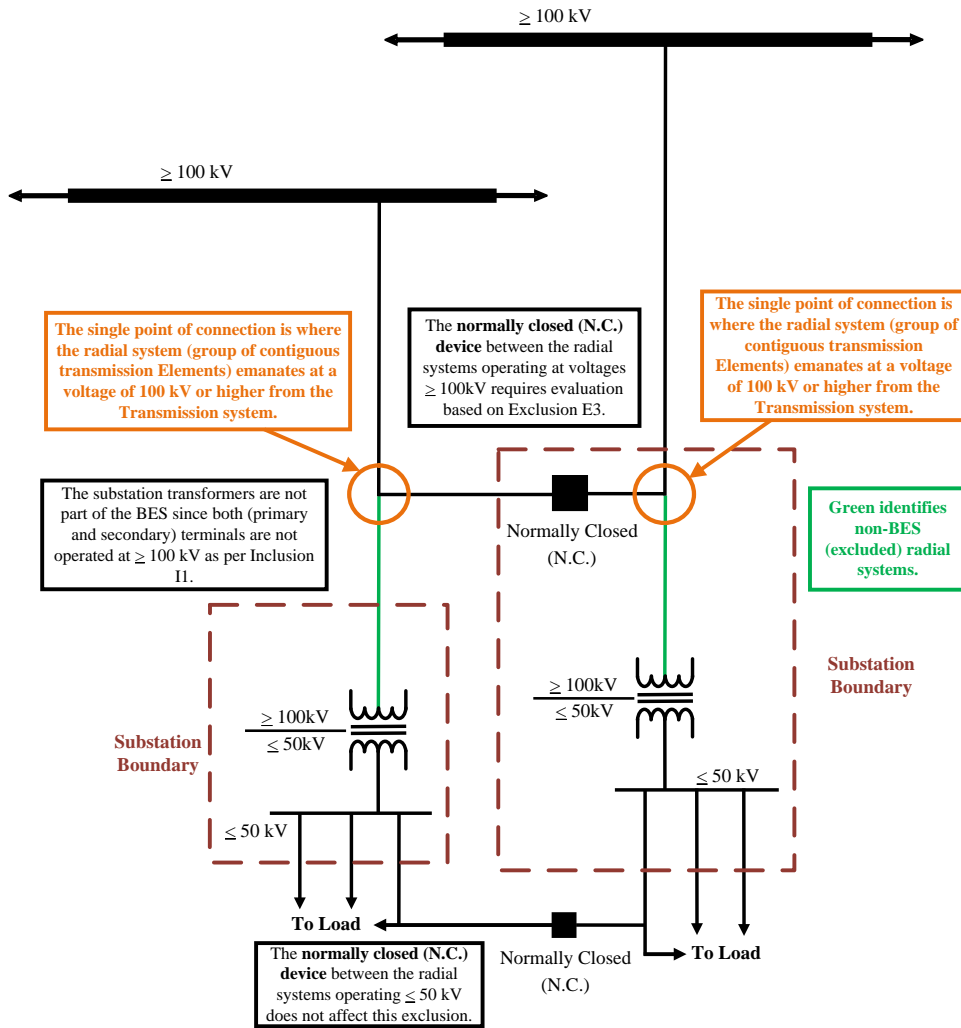
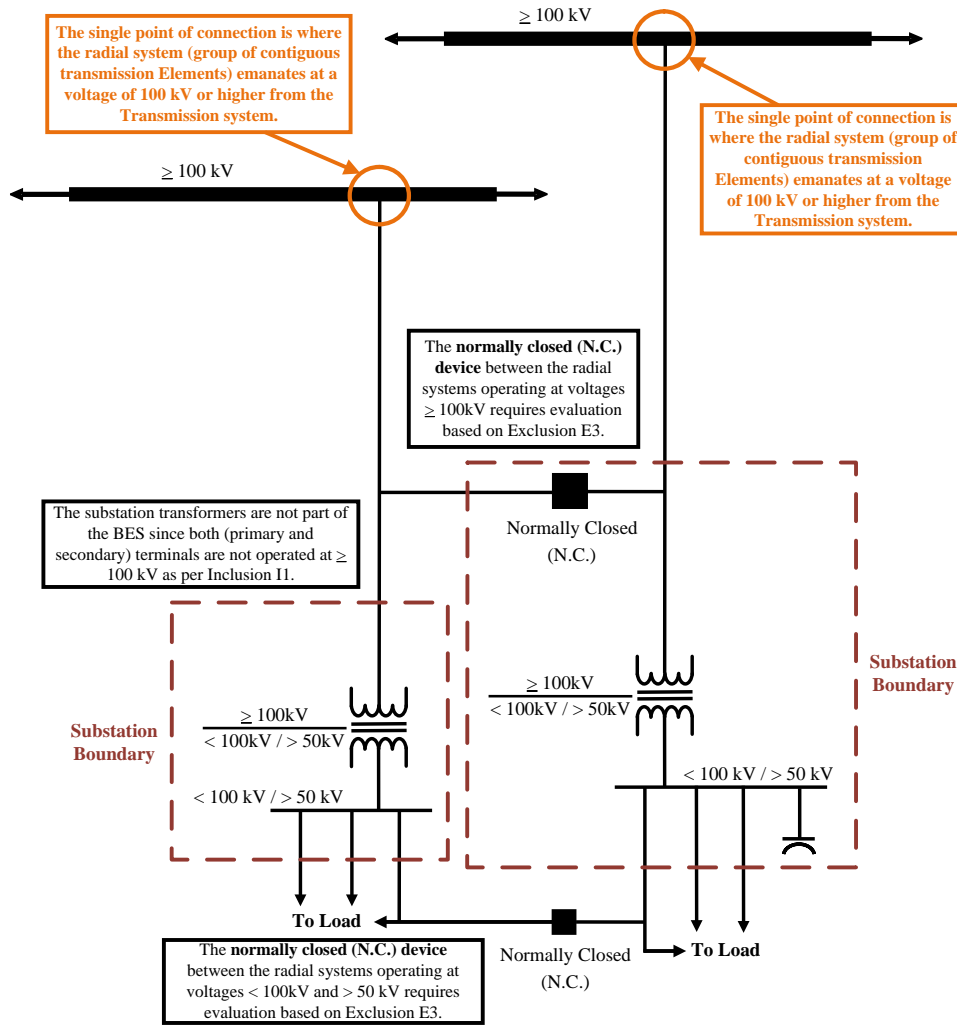


Figure E1.21-19: Radial System—Normally Closed Switching Device (≥ 100 kV) between Load Serving Radial Systems with a ≤ 50 kV Loop

Formatted: Justified

Formatted: Justified

Figure E1.22-20 depicts a situation that cannot be evaluated under the criteria established in Exclusion E1 and can only be evaluated under the Exclusion E3 criteria since the underlying loop is > 50 kV (see Figures E3.12 and E3.13-8).



Formatted: Font color: Blue

Formatted: Font color: Blue

Formatted: Font: Bold, Font color: Blue

Formatted: Justified

Formatted: Justified

Figure E1.22-20: Impact of Sub-100 kV Looped Facilities (Switching Devices Identified N.C. ≥ 100 kV and N.C. < 100 kV and > 50 kV)

[Chapter E2:](#)

III.2 BES Exclusion E2

E2: A generating unit or multiple generating units on the customer’s side of the retail meter that serve all or part of the retail customer Load with electric energy on the customer’s side of the retail meter if: (i) the net capacity provided to the BES does not exceed 75 MVA, and (ii) standby, back-up, and maintenance power services are provided to the generating unit or multiple generating units, or to the retail Load by a Balancing Authority, or provided pursuant to a binding obligation with a Generator Owner or Generator Operator, or under terms approved by the applicable regulatory authority.

Exclusion E2 provides for the exclusion of the Real Power resources that reside behind the retail meter (on the customer’s side) and supersedes Inclusion I2. ~~The exclusion is a restatement of the exclusion in Section III.c.4 of the ERO Statement of Compliance Registry Criteria (v.5), as clarified by the SDT in response to industry comments and recommendations.~~

~~The SDT stated that Exclusion E2 was originally intended to address: “As a general matter, a customer-owned or operated generator/generation that serves all or part of retail load with electric energy on the customer’s side of the retail meter may be excluded as a candidate for registration based on these criteria if (i) the net capacity provided to the Bulk Power System does not exceed the criteria above or the Regional Entity otherwise determines the generator is not material to the Bulk Power System and (ii) standby, back up and maintenance power services are provided to the generator or to the retail load pursuant to a binding obligation with another generator owner/operator or under terms approved by the local regulatory authority or the Federal Energy Regulatory Commission, as applicable.”~~

~~Exclusion E2 is dedicated to~~ the situation faced by behind-the-meter (i.e., retail customer owned) generation that are qualifying facilities as defined by the Public Utility Regulatory Policies Act (PURPA) in the [United States \(i.e., see 18 CFR Part 292 for the regulations that are applicable in the United States\)US](#), and similarly situated facilities in Canada. ~~These facilities—often referred to as combined heat and power (CHP) facilities—are commonly employed at petroleum refineries, chemical and food processing plants, pulp and paper mills, steel mills, and large commercial applications requiring both electrical and thermal energy.~~

The primary purpose of retail customer-owned generation in the context of Exclusion E2 is the integrity of steam production that supports a manufacturing process; ~~the~~ ~~The~~ electrical Load of that host process does not exist without steam. However, Exclusion E2 might apply to other situations as well.

Exclusion E2 references the net generation (in [MVA/MWs](#)) since that is how the generation is operated, and the residual ~~(“net”)~~ amount exported to the BES is what is deemed relevant to the exclusion and reliability, not the nameplate rating in MVA. ~~The Real Power (physical) export~~ [must be evaluated in consideration of the subject to a 75 MVA threshold.](#) Condition (ii) in Exclusion E2 is derived from FERC or provincial regulations applicable to qualifying cogeneration and small power production facilities (i.e., QFs). ~~For example, see 18 CFR §292.101 and §292.305(b) for the requirements specific to the United States.~~ ~~US~~ Condition (ii) requires that the generation serving the retail customer Load self-provide reserves (i.e., standby, backup, and maintenance power), and is essential for the integrity of the exclusion. ~~These reserves maintain steam generation and the load to sustain the manufacturing process.~~ ~~In the United States~~ ~~US~~, the terms and conditions of standby, backup, and maintenance services are defined and administered by State Public Service Commissions (PSC) (i.e., the “applicable regulatory authority” in the [United States](#) ~~US~~) subject to FERC oversight. ~~These services are provided under contract or tariff (e.g., Interconnection Agreements, Operating Agreements, or Power Purchase Agreements) with Generator Owners, Generator Operators, or Balancing Authorities in regions that do not have Independent System Operators (ISOs) or Regional Transmission Operators (RTOs), and provided by ISOs and RTOs where “organized markets”~~

Formatted: Font: (Default) Tahoma, Font color: Accent 1
Formatted: Font: Not Bold
Formatted: Heading 1, Chapter Title, Justified

Formatted: Font: Font color: Black
Formatted: Font: 10 pt, Font color: Black
Formatted: Justified, Right: 0.5", Don't adjust space between Latin and Asian text, Don't adjust space between Asian text and numbers

Formatted: Justified

operate.- These terms and conditions will be understood in Balancing Authority Areas where it is applicable, as it reflects existing industry practice.

Multiple connection points to the BES do not preclude the use of Exclusion E2.

Net capacity

The net capacity determination for Exclusion E2 is the net [aggregated flow \(calculated or measured MVA value when MWs flow to the BES\) from retail generating unit\(s\) with a common point\(s\) of connection at or above 100 kV to the BES](#) as measured by integrated hourly revenue metering for the most recent 12 month period [under all operating conditions](#). Periods of net capacity to the BES that exceed the threshold value when directed by the applicable Balancing Authority do not preclude the ability to utilize this exclusion.

Note: **Figures E2.-1** and **E2.5-2** are depictions of the application of Exclusion E2 and are intended to assist the user during the hierarchical application of the BES definition.

Figure E2.-1 depicts customer owned generation residing behind the retail meter. -The cogeneration operation is resulting in a net capacity to the BES of 50 MVA. [Note: This is an update, developed by the BEPWG, to the original diagram to provide clarification in the application of the BES definition.](#)

Formatted: Justified

Formatted: Font: Font color: Auto

Formatted: Font: Bold, Font color: Auto

Formatted: Font: Bold, Font color: Auto

Formatted: Font: Font color: Auto

Formatted: Font: Bold, Font color: Auto

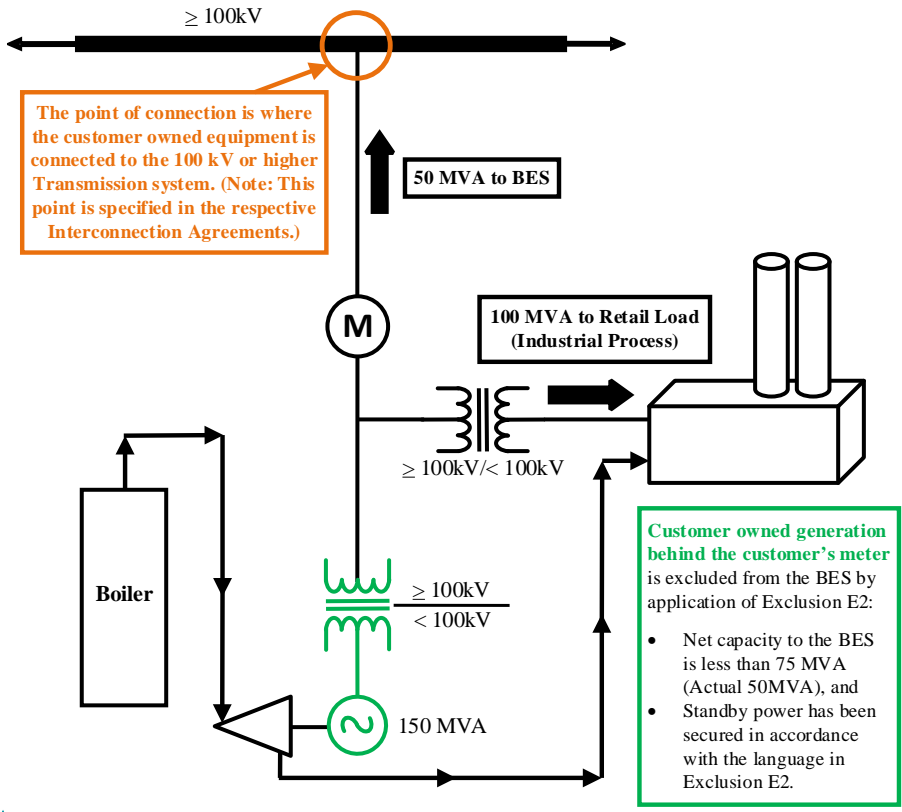
Formatted: Font: Font color: Auto

Formatted: Font: Font color: Blue

Formatted: Font: Font color: Blue

III.2 BES Exclusion E2

Cogeneration Operation: Net capacity to the BES is < 75 MVA (Actual 50 MVA) and standby power has been secured in accordance with the language in Exclusion E2



The point of connection is where the customer owned equipment is connected to the 100 kV or higher Transmission system. (Note: This point is specified in the respective Interconnection Agreements.)

Field Code Changed

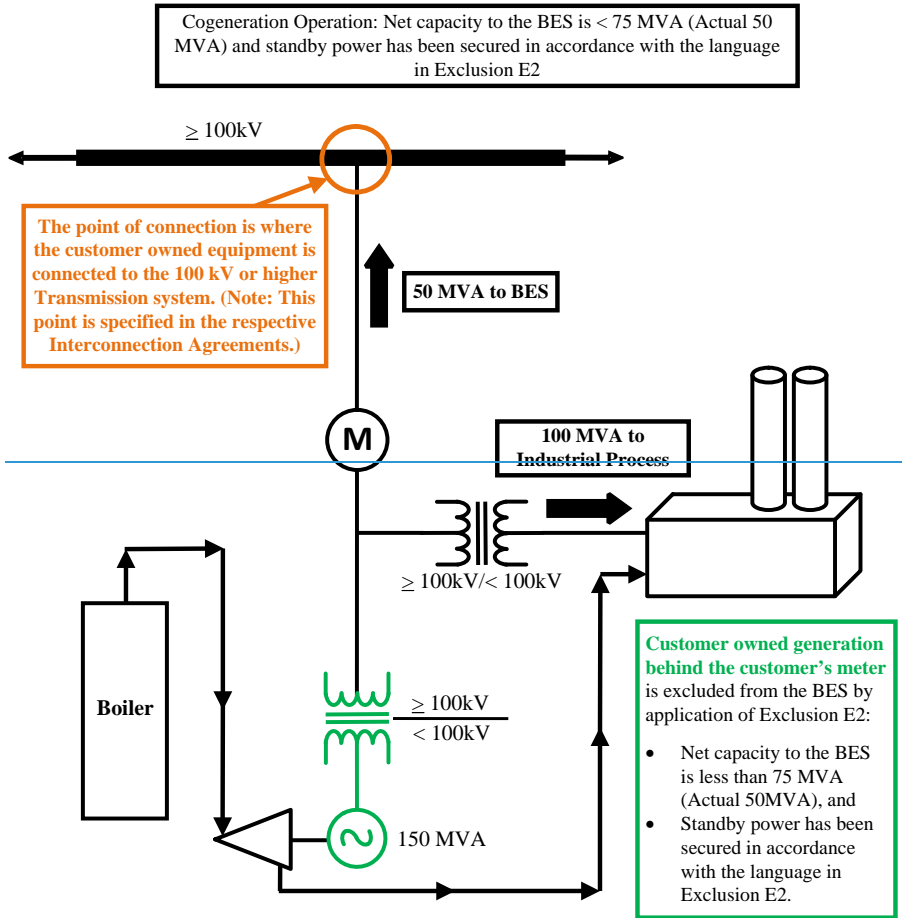


Figure E2_-1: Behind-the-Meter Generation—Net Capacity to the BES Less Than 75 MVA

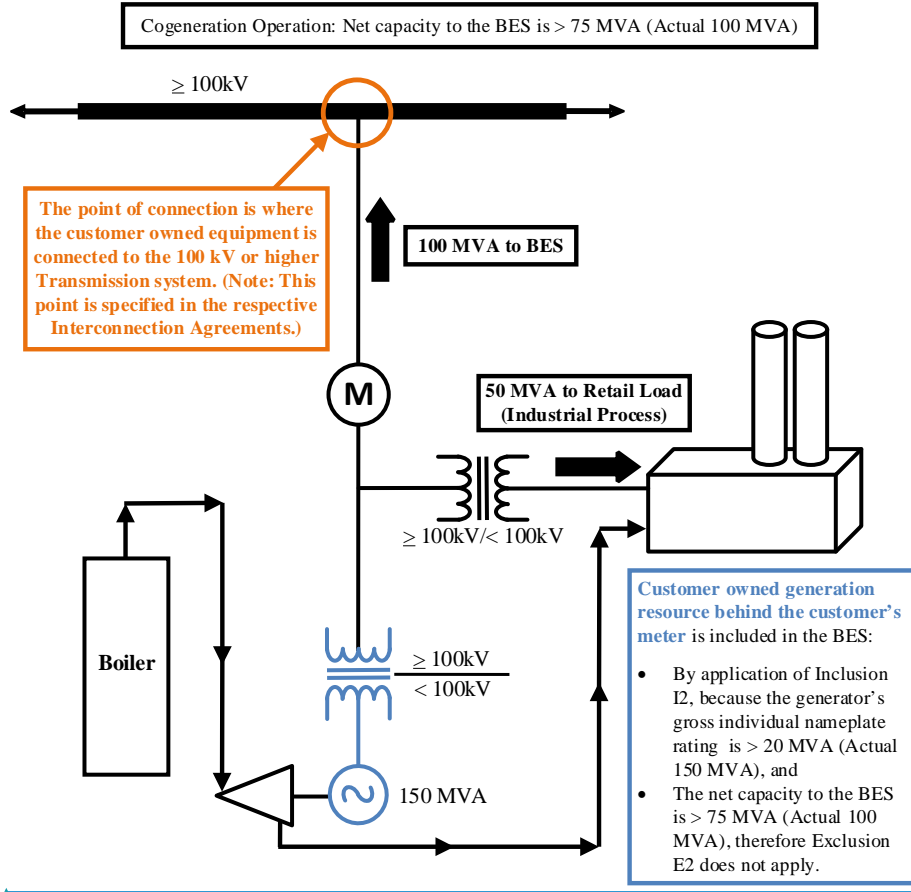
Formatted: Caption

Figure E2.-2 depicts customer owned generation residing behind the retail meter. -The cogeneration operation is resulting in a net capacity to the BES of 100 MVA.

Note: This is an update that was developed by the BEPWG to the original diagram to provide clarification in the application of the BES definition.

- Formatted: Font: Font color: Blue
- Formatted: Justified
- Formatted: Font: Font color: Blue
- Formatted: Font: Font color: Auto

Field Code Changed



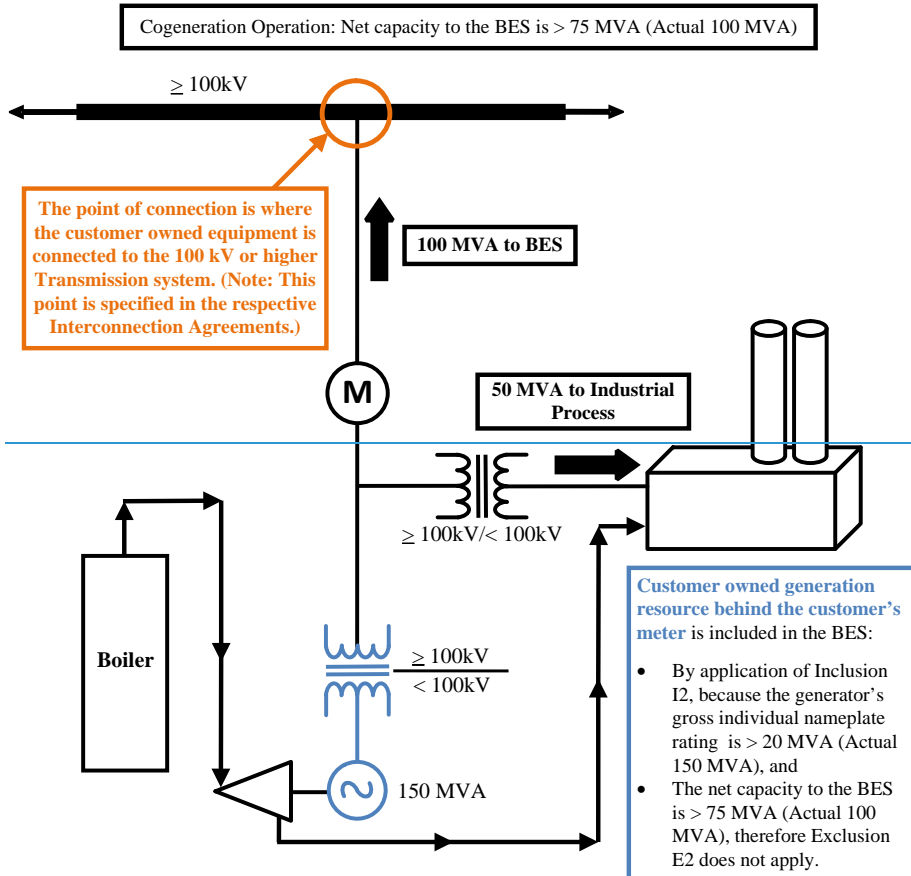


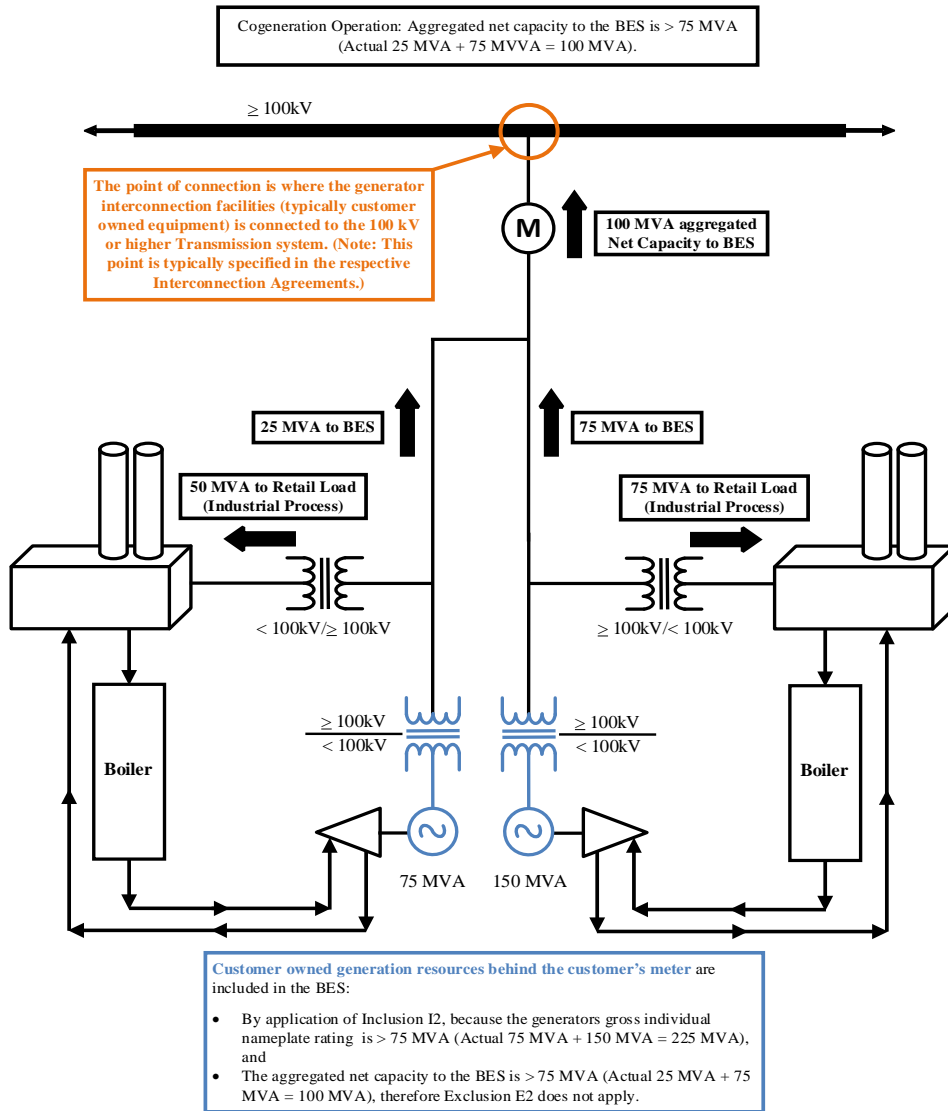
Figure E2-2: Behind-the-Meter Generation—Net Capacity to the BES Greater Than 75 MVA

Formatted: Caption

Formatted: Justified

Figure E2.3 depicts multiple customer owned generation residing behind the retail meter. The cogeneration operation is resulting in a net capacity to the BES of 100 MVA.

Note: This is a new diagram developed by the BEPWG to provide clarification in the application of the BES definition.



Field Code Changed

Figure E2.3: Behind-the-Meter Generation (Multiple Units)—Net Capacity to the BES Greater Than 75 MVA

Figure E2.5 depicts multiple customer owned industrial sites with generation residing behind the retail meter. Company A's generation site's cogeneration operation is resulting in a net capacity to the BES of 100 MVA. Company B's generation site's cogeneration operation is resulting in a net capacity to the BES of 50 MVA.

Note: This is a new diagram developed by the BEPWG to provide clarification in the application of the BES definition.

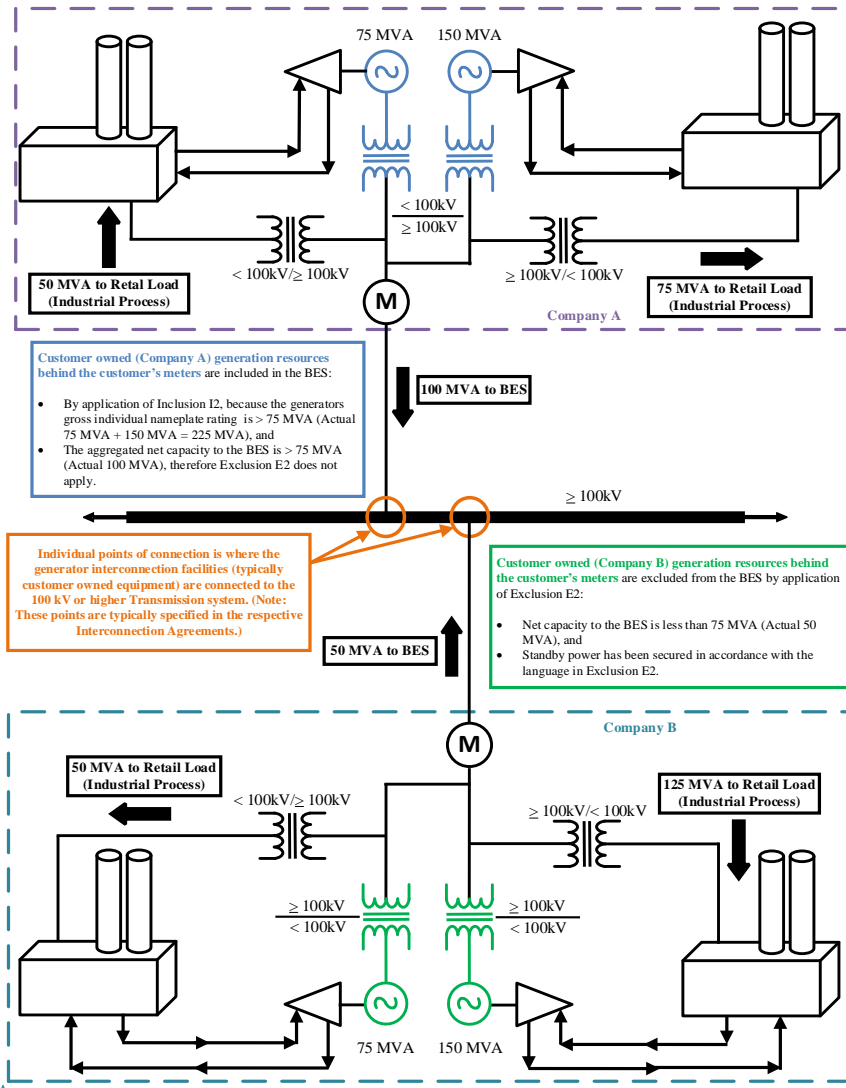


Figure E2.5: Behind-the-Meter Generation—Multiple Units Located at Multiple Generation Sites (Multiple Owners)

Chapter E3: BES Exclusion

H3.3 BES Exclusion E3

E3: Local networks (LN): A group of contiguous transmission Elements operated at less than 300 kV that distribute power to Load rather than transfer bulk power across the interconnected system. -LN's emanate from multiple points of connection at 100 kV or higher to improve the level of service to retail customers, and not to accommodate bulk power transfer across the interconnected system.- The LN is characterized by all of the following:

- Limits on connected generation: The LN and its underlying Elements do not include generation resources identified in Inclusions I2, I3, or I4, and do not have an aggregate capacity of non-retail generation greater than 75 MVA (gross nameplate rating);
- Real Power flows only into the LN and the LN does not transfer energy originating outside the LN for delivery through the LN; and
- Not part of a Flowgate or transfer path: The LN does not contain any part of a permanent Flowgate in the Eastern Interconnection, a major transfer path within the Western Interconnection, or a comparable monitored Facility in the ERCOT or Quebec Interconnections; and is not a monitored Facility included in an Interconnection Reliability Operating Limit (IROL).

Exclusion E3 is an exclusion for the contiguous transmission Elements that operate at or above 100 kV but less than 300 kV and emanate from multiple points of connection at 100 kV or higher. -The local network exclusion is not dependent on the existence of a switching device at the points of connection to the BES (i.e., automatic interrupting device, manual disconnects), etc.- Generation resources connected within the local network, power flow criteria, and Element classification (i.e., Flowgate, transfer path) are qualifiers for this exclusion.

Exclusion E3 does not allow for the exclusion of generation resources that meet the criteria for generation resources as described in Inclusions I2, I3, and I4. -Reactive resources that meet the criteria described in Inclusion I5 cannot be excluded by application of Exclusion E3. -The presence of Reactive resources does not preclude the ability to invoke Exclusion E3.- Exclusion E3 allows for the exclusion of contiguous transmission Elements (i.e., transformers, circuit breakers, bus sections, and transmission lines) emanating from multiple points of connection at a voltage of 100 kV or higher.

The power flow criterion describes the Real-time operational characteristics of the local network, and, by definition, the local network cannot be part of a designated Flowgate or transfer path.

FERC Order No. 773 directed implementation of the revised BES definition to take into account the impact of sub-100 kV looped Facilities regardless of voltage level, altering previous guidance on the evaluation of local networks. This meant that if there was a connection at the sub-100 kV level between two systems that would previously have been considered as radial, said systems could not be evaluated for possible radial system exclusion. However, the drafting team developed a technical justification establishing 50 kV as a threshold value for sub-100 kV looped facilities. -If the sub-100 kV loop is 50 kV or less, it was shown that it would not have an impact on the BES, and thus, an entity could still apply Exclusion E1 to the configuration. -If the loop in question was greater than 50 kV, then an entity could not consider the systems as radial and would need to evaluate them under the criteria of Exclusion E3 if seeking to exclude the Facilities from the BES.

The evaluation of sub-100 kV loops associated with the evaluation of Elements under the E3 exclusion is used as a "qualifier" for the potential exclusion of the Elements that operate at or above 100 kV.

Formatted: Justified

Formatted: Justified, Bulleted + Level: 1 + Aligned at: 0.25" + Indent at: 0.5"

Formatted: Justified

Formatted: Justified

Formatted: Border: Top: (Single solid line, Accent 1, 1.5 pt Line width)

Failure to meet the “bright-line” criteria established by Exclusion E3 does not result in the inclusion of the sub-100 kV loops in the BES.

Formatted: No underline

Formatted: No underline

Order No. 773, paragraph 155 states the following:

Formatted: Normal, Justified, Indent: Left: 0.25", Space Before: 6 pt, Bulleted + Level: 1 + Aligned at: 0.19" + Indent at: 0.44"

~~“Thus, the Commission, while disagreeing with NERC’s interpretation, does not propose to include the below 100 kV elements in figure 3 in the bulk electric system, unless determined otherwise in the exception process.”~~

Formatted: Font: Not Italic

Order No. 773 A, paragraph 36 states:

•••

~~“Thus, the Commission, while disagreeing with NERC’s interpretation, does not propose to include the below 100 kV elements in figure 3 in the bulk electric system, unless determined otherwise in the exception process.”~~

Formatted: List Bullet, Justified, Outline numbered + Level: 1 + Numbering Style: Bullet + Aligned at: 0.25" + Indent at: 0.5"

Formatted: Font: Not Italic

Formatted: Justified

Order No. 773 A, paragraph 36 states the following:

“Moreover, as noted in the Final Rule, the sub-100 kV elements comprising radial systems and local networks will not be included in the bulk electric system, unless determined otherwise in the exception process.”

Formatted: Justified

Formatted: Font: Not Italic

Entities should be prepared to justify local network determinations.

Reactive Resources

Reactive resources that meet the criteria described in Inclusion I5 cannot be excluded by application of Exclusion E3. The presence of reactive resources does not preclude the ability to invoke Exclusion E3.

Generation Limits

There are two conditions under which generation resources can prevent a network from qualifying for Exclusion E3:

1. The aggregate nameplate capacity of the non-retail generation capacity within the network in question exceeds 75 MVA, or
2. Any generation within the local network in question is identified in Inclusion I2, I3, or I4.

Formatted: Justified, Bulleted + Level: 1 + Aligned at: 0.25" + Indent at: 0.5"

Formatted: Justified

If either of these conditions applies, the network does not qualify for Exclusion E3.

Power Flow at BES Interface

An entity who determines that all or a portion of its Facilities meet the local network exclusion should be able to demonstrate, by inspection of actual system data, that flow of power is always into the local network at each point of interface with the BES at all times.

Note: the SDT’s intent was that hourly integrated power flow values over the course of the most recent two-year period would be sufficient to make such a demonstration.

Formatted: Justified

In order for transmission Elements to qualify for Exclusion E3, power flow direction at all points of BES interface must be into the local network under all operating conditions. Therefore, the second characteristic of Exclusion E3 (E3.b) that “... the LN does not transfer energy originating outside the LN for delivery through the LN” will also be satisfied in that energy is not being transferred through the local network.

Formatted: Justified

Voltage Thresholds

Formatted: Border: Top: (Single solid line, Accent 1, 2.25 pt Line width)

The local network exclusion applies to electric transmission Elements operated below 300 kV, and cannot extend to any Facilities operated above 300 kV. Facilities operated below 100 kV are excluded from the BES by application of the core definition.

If the candidate local network does not qualify for Exclusion E3, then further evaluation of the underlying Elements may be appropriate based on other criteria within the definition. Each underlying Element must meet the criteria established by Exclusion E3, including parts a, b, and c, to qualify for exclusion from the BES. Such evaluations are not shown in Figures E3-1 through E3.13-9, which concentrate on the bigger picture, but are detailed in the summary diagrams in Section IV where the hierarchical application of the definition is described and shown.

Note: Figures E3-1 through E3.13-9 are depictions of the application of Exclusion E3 and are intended to assist the user during the hierarchical application of the BES definition.

Formatted: Font: Bold, Font color: Blue

Formatted: Font: Bold, Font color: Blue

Formatted: Font color: Blue

Formatted: Font: Bold, Font color: Blue

Formatted: Font: Font color: Auto

Formatted: Font: Bold, Font color: Blue

Formatted: Font: Bold, Font color: Blue

Formatted: Font: Font color: Auto

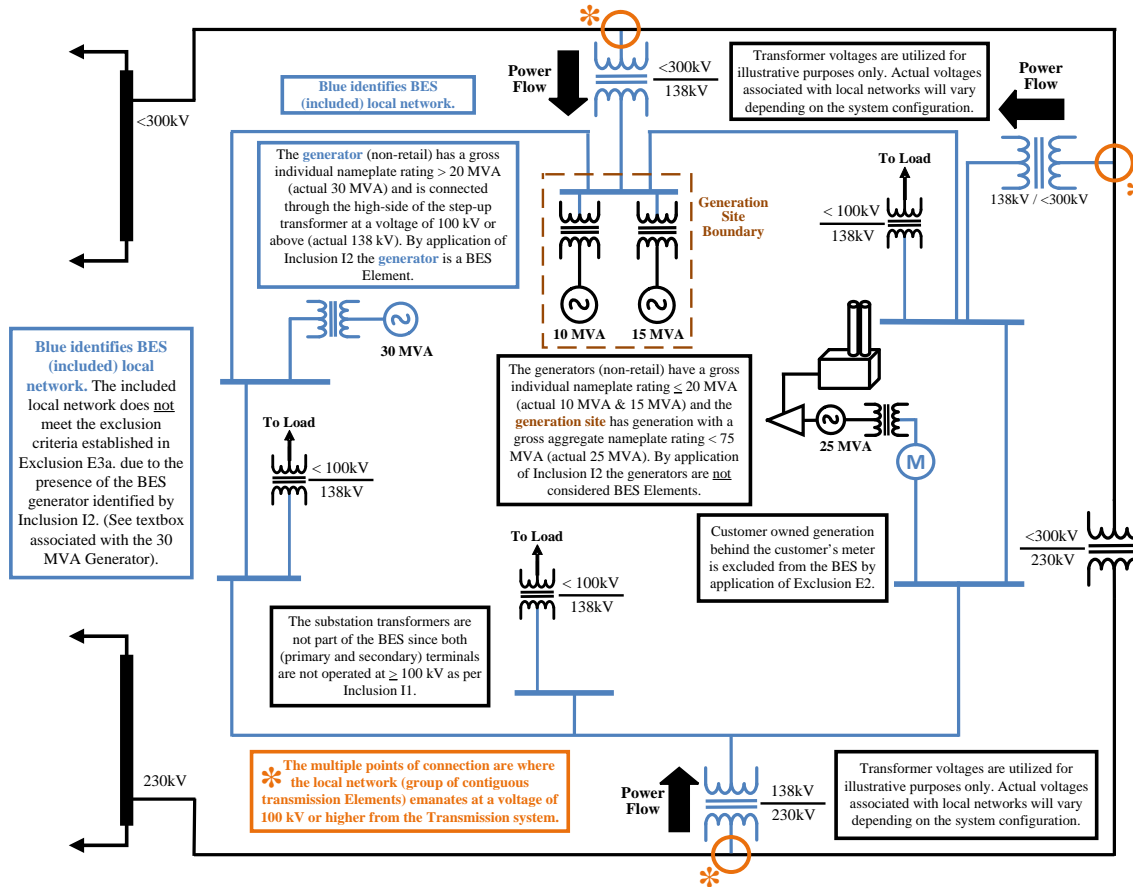
Formatted: Font: Bold, Font color: Blue

Formatted: Font: Bold, Font color: Blue

Formatted: Font: Font color: Auto

Formatted: Border: Top: (Single solid line, Accent 1, 2.25 pt Line width)

Figure E3-2 shows how the presence of a BES generator affects the status of a potential local network. Note that further evaluation of underlying elements may be required to complete the full application of the definition. -As noted above, such evaluation is not shown in the individual sections of this document but may be seen in the system diagrams.



Formatted: Font color: Blue

Formatted: Justified

Formatted: Font color: Blue

Formatted: Border: Top: (Single solid line, Accent 1, 2.25 pt Line width)

Figure E3.2: Local Network (BES) with Retail and Non-Retail Generation Resources and Serving Load

Formatted: Caption

Formatted: Border: Top: (Single solid line, Accent 1, 2.25 pt Line width)

Figure E3_3 depicts a local network that which contains retail and non-retail generation resources and also serves Load. - The local network does not meet the criteria established by Exclusion E3 in that power flows out of the local network at one of the points of connection to the interconnected Transmission system. Note that further evaluation of underlying elements may be required to complete the full application of the definition. -As noted above, such evaluation is not shown in the individual sections of this document but may be seen in the system diagrams.

Formatted: Justified

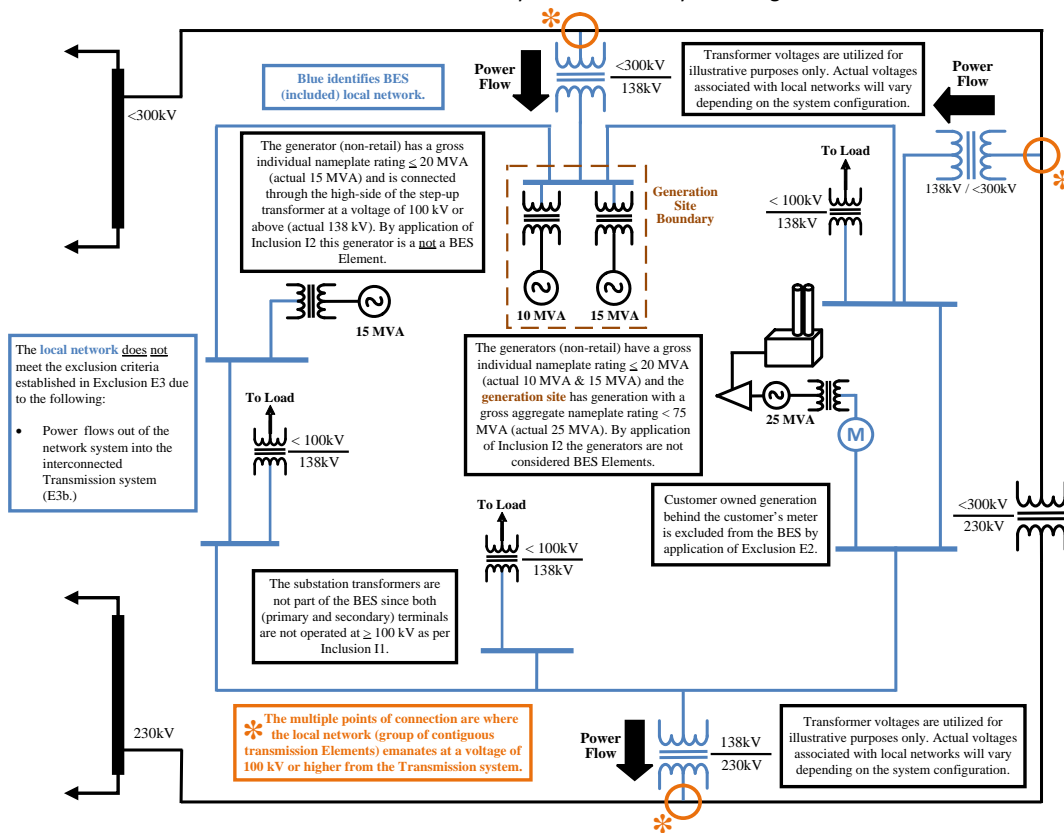


Figure E3_3: Local Network (BES) with Retail and Non-Retail Generation Resources and Serving Load

Formatted: Caption

Formatted: Border: Top: (Single solid line, Accent 1, 2.25 pt Line width)

FERC Order No. 773 directed implementation of the revised BES definition to take into account the impact of sub-100 kV looped Facilities regardless of voltage level altering previous guidance on the evaluation of radial systems. This meant that if there was a connection at the sub-100 kV level between two systems that would previously have been considered as radial, said systems could not be evaluated for possible radial system exclusion. However, the drafting team developed a technical justification establishing 50 kV as a threshold value for sub-100 kV looped facilities. If the sub-100 kV loop is 50 kV or less, it was shown that it would not have an impact on the BES; and thus, an entity could still apply Exclusion E1 to the configuration. If the loop in question was greater than 50 kV, ~~the then an~~ entity could not consider the systems as radial and would need to evaluate them under the criteria of Exclusion E3 if seeking to exclude the Facilities from the BES.

The evaluation of sub-100 kV loops associated with the evaluation of Elements under the E3 exclusion is used as a “qualifier” for the potential exclusion of the Elements that operate at or above 100 kV.

- Failure to meet the “bright-line” criteria established by Exclusion E3 does not result in the inclusion of the sub-100 kV loops in the BES.

Order No. 773, paragraph 155 states:

“Thus, the Commission, while disagreeing with NERC’s interpretation, does not propose to include the below 100 kV elements in figure 3 in the bulk electric system, unless determined otherwise in the exception process.”

- the following:

- “Thus, the Commission, while disagreeing with NERC’s interpretation, does not propose to include the below 100 kV elements in figure 3 in the bulk electric system, unless determined otherwise in the exception process.”

Order No. 773-A, paragraph 36 states

- Order No. 773-A, paragraph 36 states the following:

- “Moreover, as noted in the Final Rule, the sub-100 kV elements comprising radial systems and local networks will not be included in the bulk electric system, unless determined otherwise in the exception process.”

Note: [Figures E3.4](#) through [E.13E3.9](#) depict scenarios that require evaluation based on the criteria established in the BES definition as revised by the FERC Order and described above.

Formatted: Justified

Formatted: No underline

Formatted: No underline

Formatted: Justified, Indent: Left: 0.25", Space Before: 6 pt, Bulleted + Level: 1 + Aligned at: 0.19" + Indent at: 0.44"

Formatted: List Bullet, Justified, No bullets or numbering

Formatted: Justified

Formatted: Font: Not Italic

Formatted: Normal, Justified, Indent: Left: 0.25", Space Before: 6 pt, Bulleted + Level: 1 + Aligned at: 0.19" + Indent at: 0.44"

Formatted: Font: Not Italic

Formatted: List Paragraph, Justified, Indent: Left: 0.5", Space Before: 6 pt, Bulleted + Level: 1 + Aligned at: 0.69" + Indent at: 0.94"

Formatted: Font: Not Italic

Formatted: Justified

Formatted: Font color: Auto

Formatted: Font: Bold, Font color: Blue

Formatted: Font: Bold, Font color: Blue

Formatted: Font color: Auto

Formatted: Font: Bold, Font color: Blue

Formatted: Font color: Auto

Figure E3-4 depicts a situation that which requires evaluation based on the Exclusion E3 criteria (see Figure E1-3).

Formatted: Font: Bold, Font color: Blue

Formatted: Font: Bold, Font color: Blue

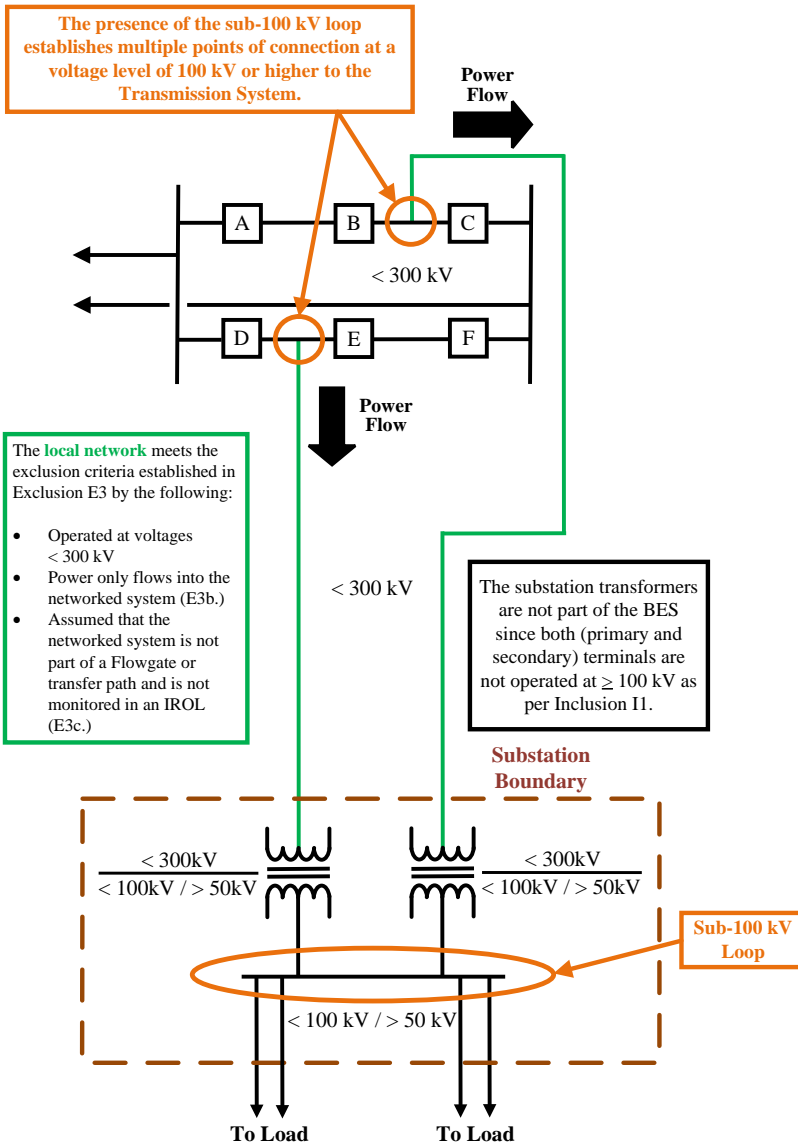


Figure E3-4: Local Network (non-BES) with Sub-100 kV Loop

Formatted: Justified

Formatted: Caption

Figure E3-5 duplicates the configuration of Figure E3-4; however, since power is flowing out of the potential local network, this configuration does not qualify as a local network based on the Exclusion E3 criteria.

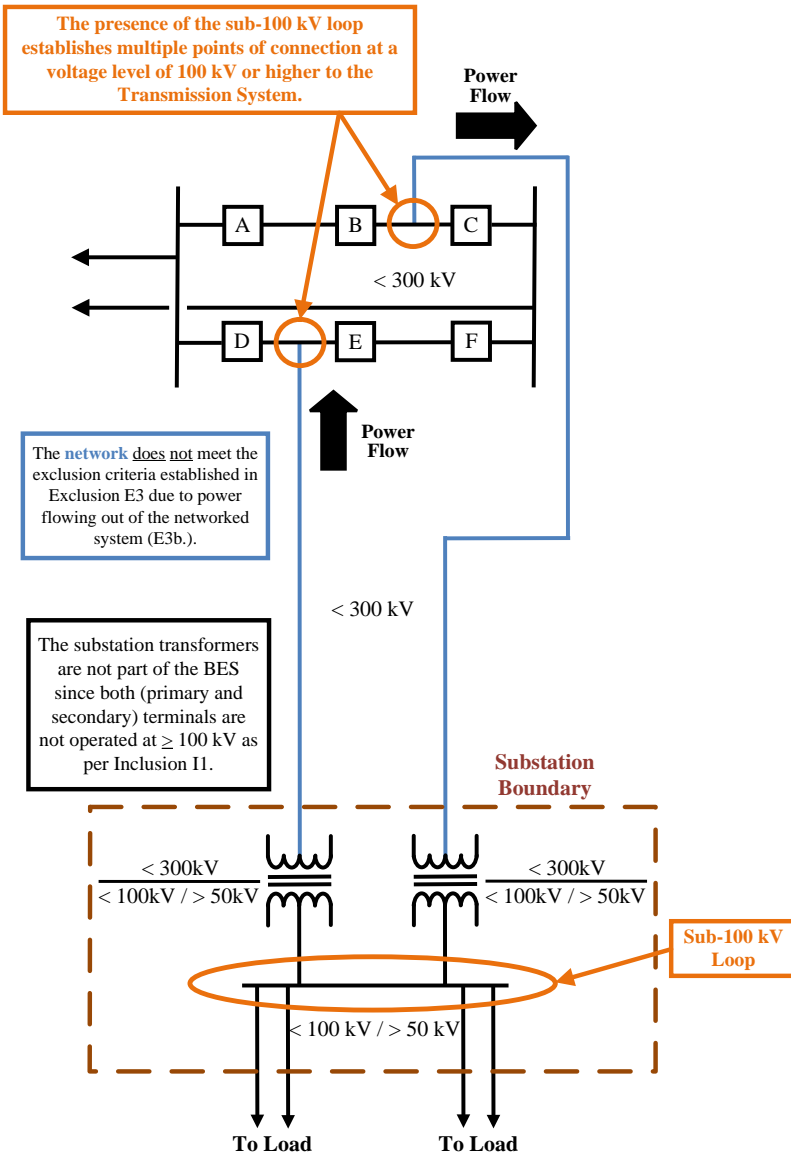
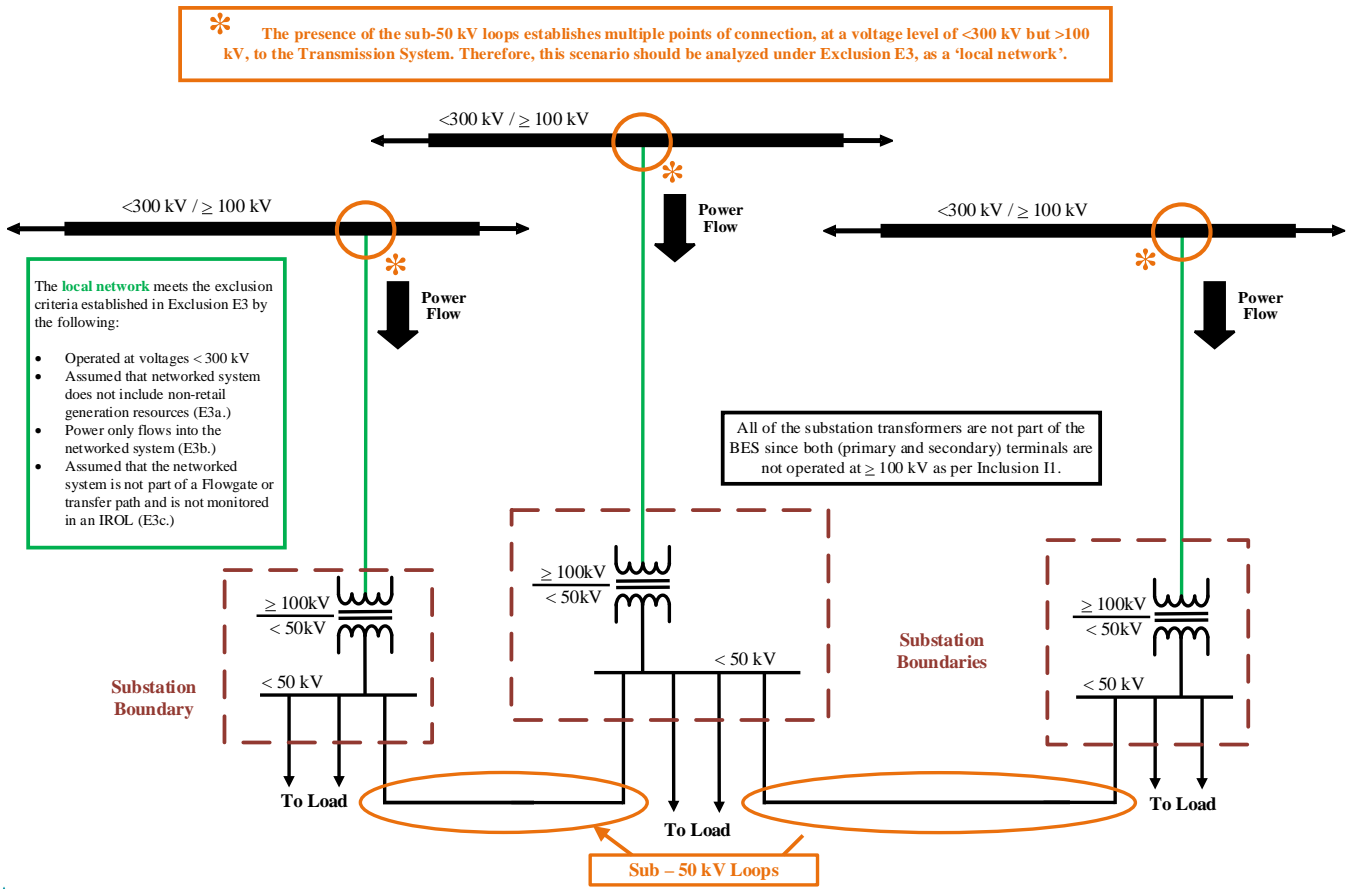


Figure E3-5: Local Network (BES) with Sub-100 kV Loop

- Formatted: Font color: Blue
- Formatted: Font color: Blue
- Formatted: Font: Bold, Font color: Blue
- Formatted: Font: Bold, Font color: Blue
- Formatted: Justified
- Formatted: Font color: Blue

Formatted: Caption

Figure E3-6 depicts a situation that which requires evaluation based on the Exclusion E3 criteria (see Figure E1.4). Note: This is a new diagram developed by the BEPWG to provide clarification in the application of the BES definition. (18)



- Formatted: Font color: Blue
- Formatted: Justified
- Formatted: Font color: Blue
- Formatted: Font: Bold, Font color: Blue
- Field Code Changed

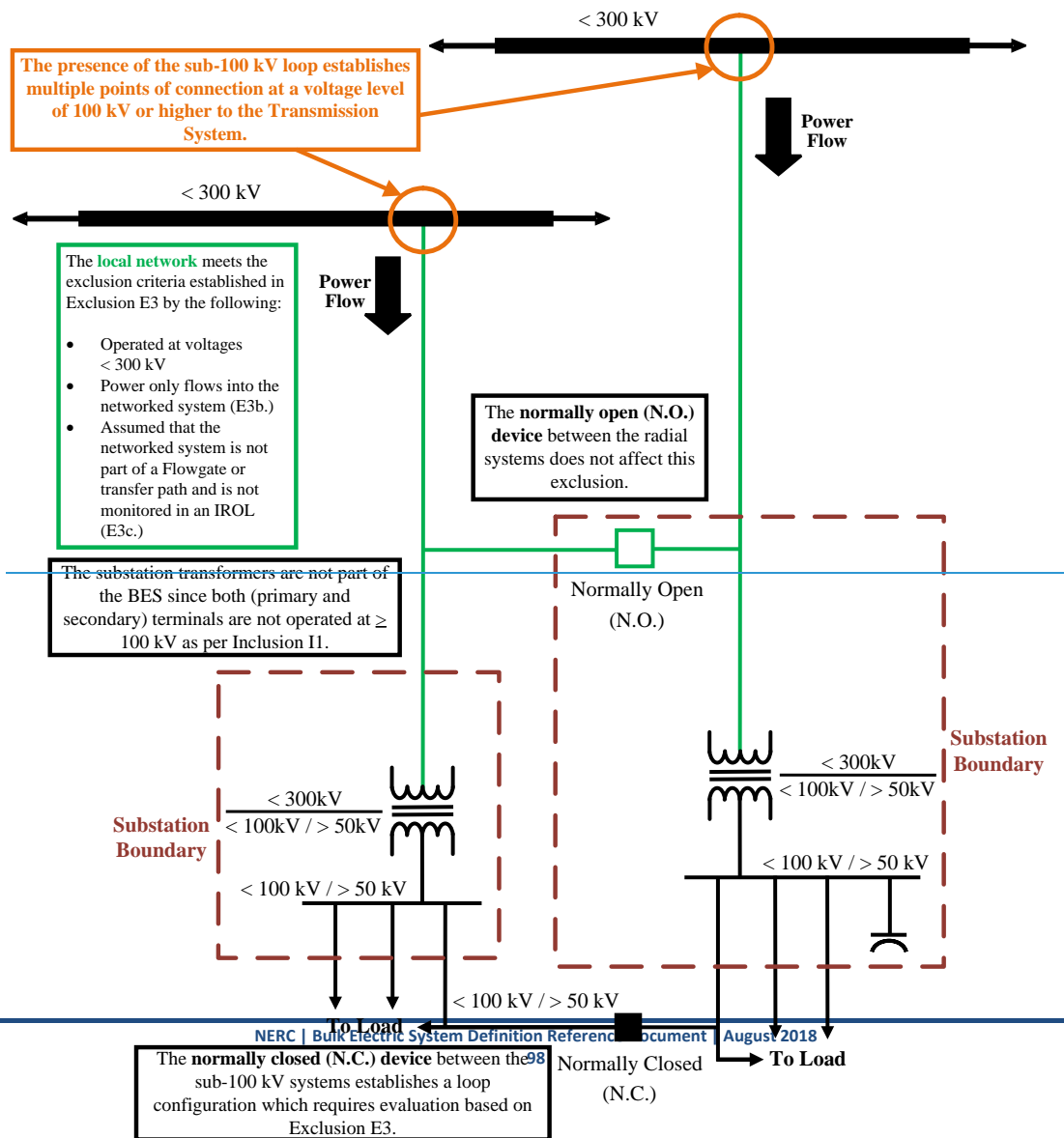


Figure E3-6: Local Network (non-BES) with [Multiple Sub-100 kV Loops](#)

Figure E3.7 depicts a situation that requires evaluation based on the Exclusion E3 criteria (see Figure E1.4).

Note: This is a new diagram developed by the BEPWG to provide clarification in the application of the BES definition.

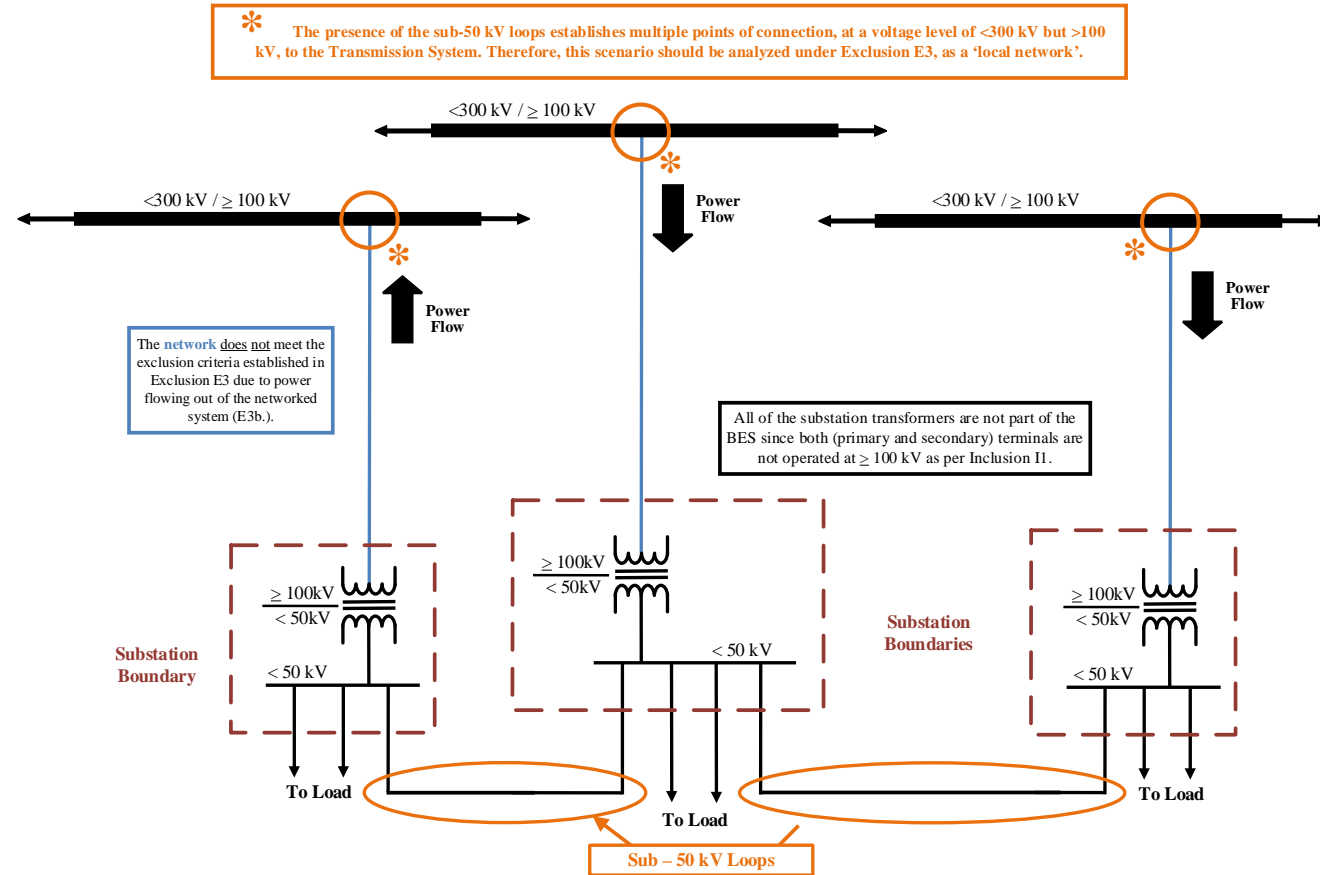
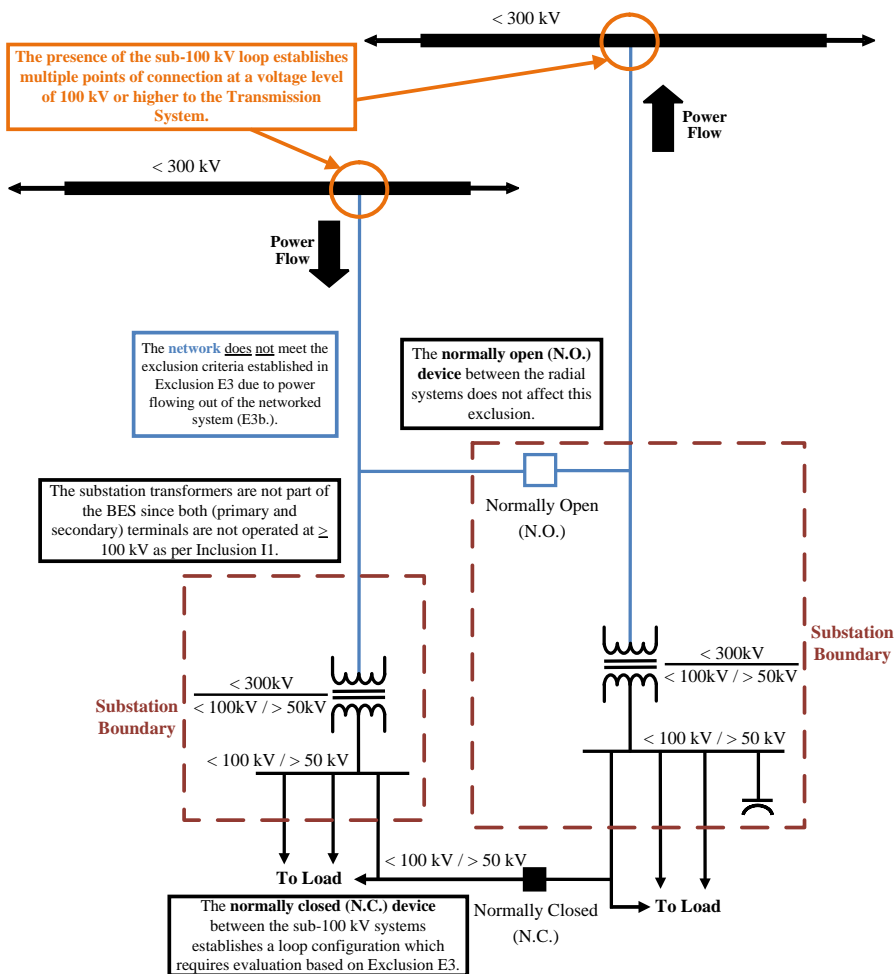


Figure E3.7: Local Network (BES) with Multiple Sub-100 kV Loops

Field Code Changed

Figure E3.9-7 duplicates the configuration of Figure E3.8-6; however, since power is flowing out of the potential local network, this configuration does not qualify as a local network based on the Exclusion E3 criteria. Since the area under consideration does not meet the criteria established by Exclusion E3, further evaluation of the underlying Elements may be appropriate. Each underlying Element must meet the criteria established by Exclusion E3, including parts a, b, or c, to qualify for exclusion from the BES. Such evaluations are not shown in Figure E3.11-9, which concentrates on the bigger picture, but are detailed in the summary diagrams in Chapter Section IV, where the hierarchical application of the definition is described and shown.

- Formatted: Font color: Blue
- Formatted: Justified
- Formatted: Font: Bold, Font color: Blue
- Formatted: Font color: Blue
- Formatted: Font: Bold, Font color: Blue
- Formatted: Font: Bold, Font color: Blue

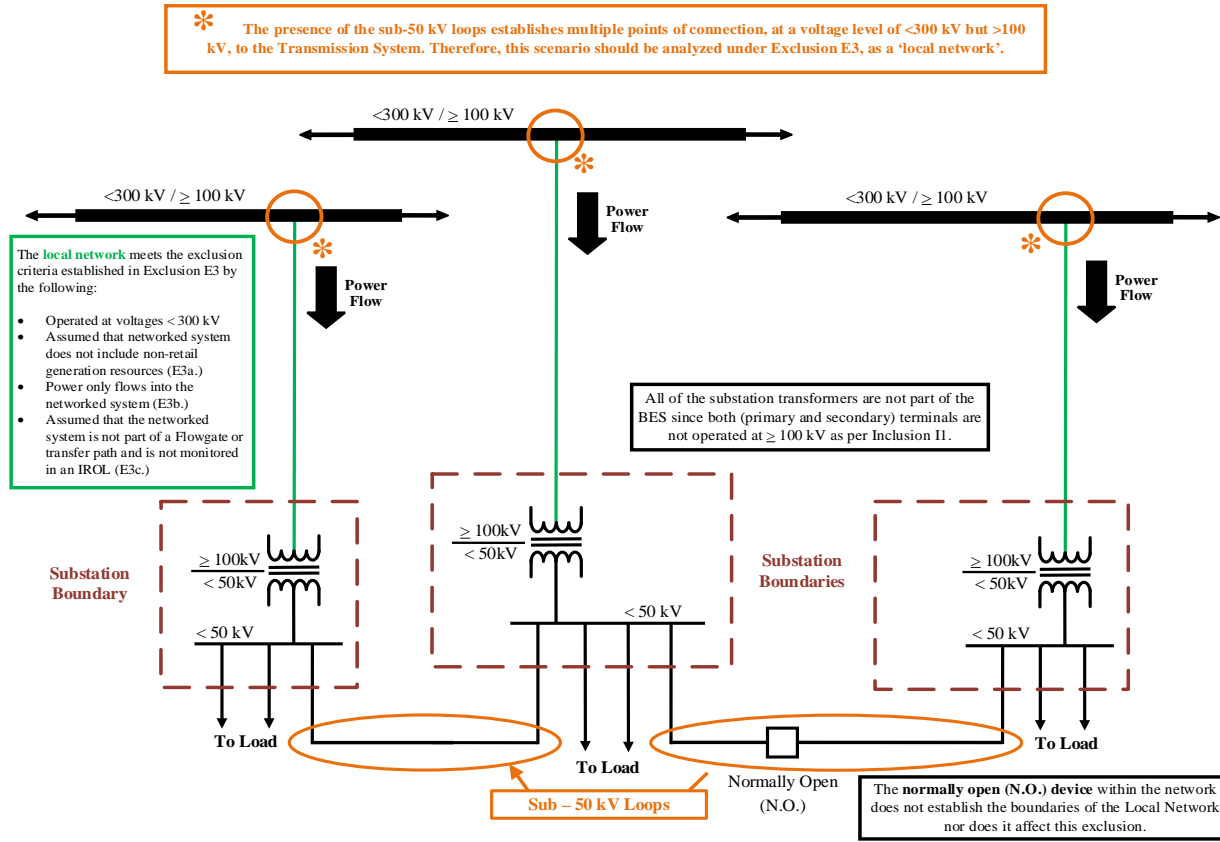


Formatted: Justified

Figure E3.9-7: Local Network (BES) with Sub-100 kV Looped Facilities (Switching Devices Identified \rightarrow N.O. $\geq 100\text{ kV}$ and N.C. $< 100\text{ kV} / < 50\text{ kV}$)

Formatted: Caption

Figure E3.10 depicts a situation that requires evaluation based on the Exclusion E3 criteria (see Figure E1.20). Note: This is a new diagram developed by the BEPWG to provide clarification in the application of the BES definition.

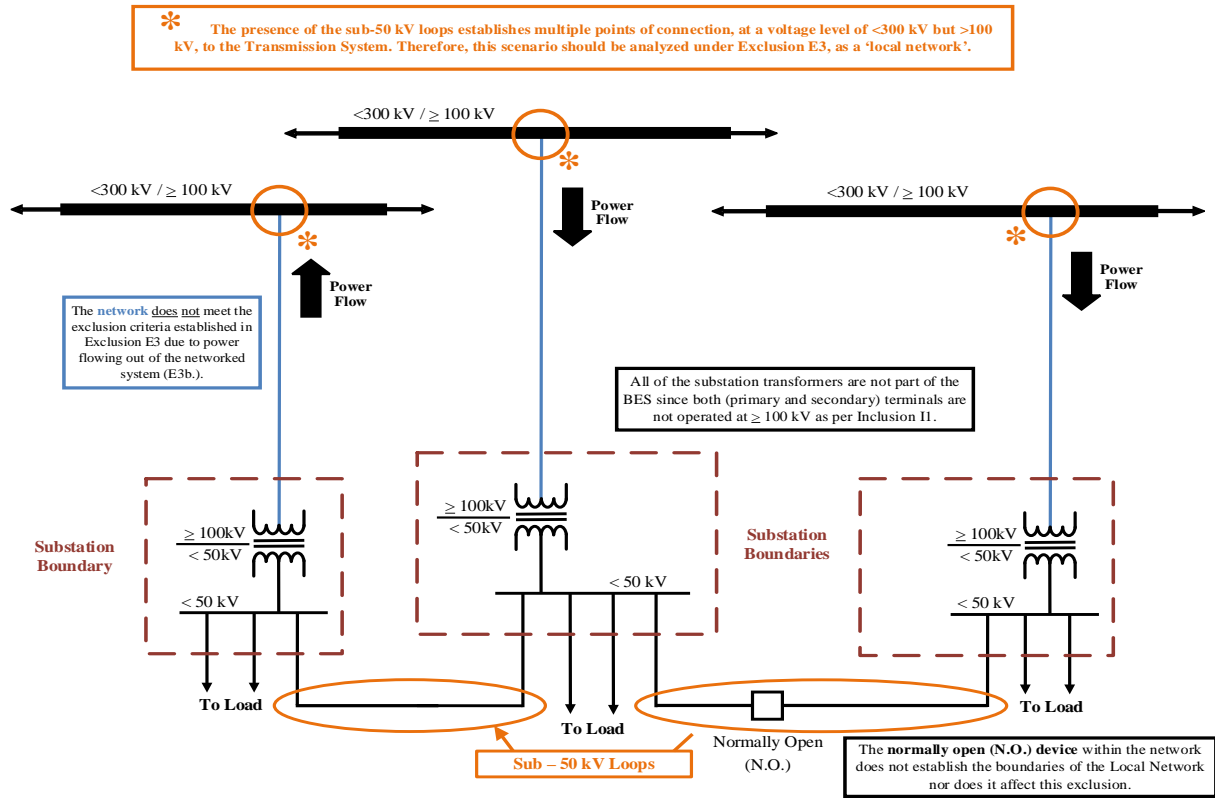


Field Code Changed

Figure E3.10: Local Network (non-BES) with Multiple Points of Connection—Normally Open Switching Device between Sub-100 kV Looped Facilities

Figure E3.11 depicts a situation that requires evaluation based on the Exclusion E3 criteria (see Figure E1.20).

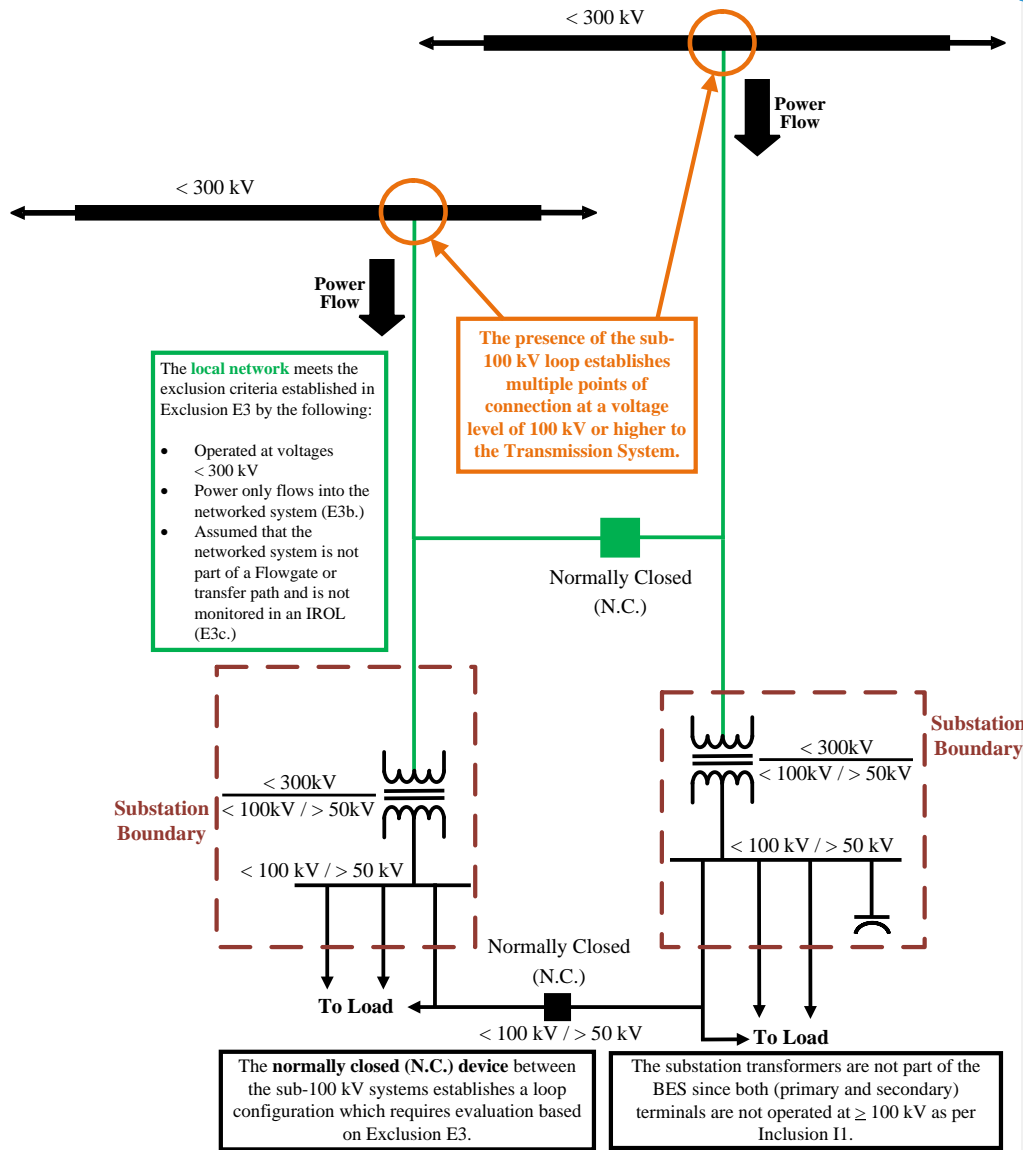
Note: This is a new diagram developed by the BEPWG to provide clarification in the application of the BES definition.



Field Code Changed

Figure E3.11: Local Network (BES) with Multiple Points of Connection—Normally Open Switching Device between Sub-100 kV Looped Facilities

Figure E3.12 Figure E3-8 depicts a situation where the configuration establishes multiple loops that require evaluation based on the Exclusion E3 criteria (see Figure E1.22-20).



Formatted: Justified

Formatted: Font color: Blue

Formatted: Font: Bold, Font color: Blue

Figure E3.12-8: Local Network (non-BES) with Sub-100 kV Looped Facilities (Switching Devices Identified \rightarrow N.C. ≥ 100 kV and N.C. < 100 kV / > 50 kV)

Formatted: Caption

Figure E3.13-9 depicts a situation where the configuration establishes multiple loops that require evaluation based on the Exclusion E3 criteria. -Since the area under consideration does not meet the criteria established by Exclusion E3, further evaluation of the underlying Elements may be appropriate. -Each underlying Element must meet the criteria established by Exclusion E3, including parts a, b, or c, to qualify for exclusion from the BES. -Such evaluations are not shown in Figure E3.13-9, which concentrates on the bigger picture, but are detailed in the summary diagrams in Section IV where the hierarchical application of the definition is described and shown.

Formatted: Justified

Formatted: Font: Bold, Font color: Blue

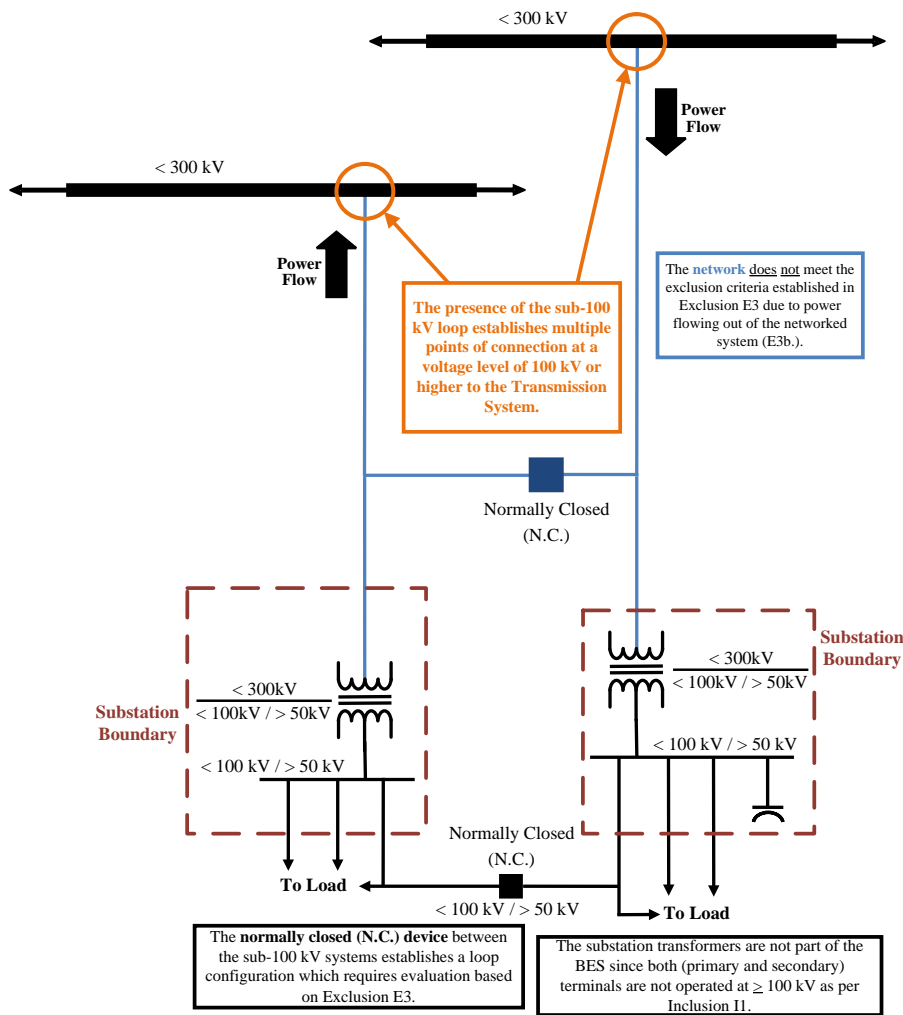


Figure E3.13-9: Local Network (BES) with Sub-100 kV Looped Facilities (Switching Devices Identified $\text{N.C.} \geq 100 \text{ kV}$ and $\text{N.C.} < 100 \text{ kV} / > 50 \text{ kV}$)

Formatted: Normal, Justified

[Chapter E4:](#)

5.4 BES Exclusion E4

E4: Reactive Power devices installed for the sole benefit of a retail customer(s).
Exclusion E4 is dependent on the intended function of the Reactive Resource; therefore, figures were not developed for Exclusion E4 due to the simplicity of the language in the exclusion.

Formatted: Heading 1,Chapter Title, Justified

Formatted: Font: (Default) Tahoma, Font color: Accent 1

Formatted: Font: (Default) Tahoma, Font color: Accent 1

Formatted: Justified

IV. Hierarchical Application of the Definition

The hierarchical application of the definition is depicted in a series of diagrams based on a fictional system configuration and follows the sequenced application of the definition described below.

The application of the 'bright-line' BES definition is a three-step process that, when appropriately applied, will identify the vast majority of BES Elements in a consistent manner that can be applied on a continent-wide basis.

STEP 1: CORE DEFINITION—The core definition is used to establish the bright-line of 100 kV; this is the overall demarcation point between BES and non-BES Elements. The core BES definition identifies the Real Power and Reactive Power resources connected at 100 kV or higher, as included in the BES. To fully appreciate the scope of the core definition, an understanding of the term "Element" is needed. "Element" is defined in the NERC Glossary as follows: "Any electrical device with terminals that may be connected to other electrical devices such as a generator, transformer, circuit breaker, bus section, or transmission line. An element may be comprised of one or more components."

STEP 2: INCLUSIONS—This step involves applying the specific Inclusions, and it provides additional clarification for the purposes of identifying specific Elements that are included in the BES. The Inclusions address Transmission Elements and Real Power and Reactive Power resources with specific criteria to provide for a consistent determination of whether an Element is classified as BES or non-BES. There are five Inclusions in the Definition. The facilities described in Inclusions I1, I2, I4, and I5 are each operated (if transformers—Inclusion I1) or connected (if generating resources, dispersed power producing resources or Reactive Power resources—Inclusions I2, I4, and I5) at or above the 100 kV threshold. Inclusion I3 encompasses Blackstart Resources identified in a Transmission Operator's restoration plan, which are necessary for the reliable operation of the interconnection transmission system and should be included in the BES regardless of their size (MVA) or the voltage at which they are connected.

STEP 3: EXCLUSIONS—This step evaluates specific situations for potential exclusion from the BES. The exclusion language is written to specifically identify Elements or groups of Elements for exclusion from the BES. Step three (3) should be applied in the following sequence:

1. Exclusion E2 (Behind-the-Meter Generation) provides for the specific exclusion of certain Real Power resources that reside behind-the-retail meter (on the customer's side) and supersedes the more general Inclusion I2 (Generating Resources). Behind-the-meter generation that meets these specific criteria do not affect reliability of the BES because the net capacity supplied to the BES is less than 75 MVA and the specific criteria impose obligations to support reliability when the resources are unavailable.
2. Exclusion E4 (Reactive Power Devices) provides for the specific exclusion of Reactive Power devices installed for the sole benefit of a retail customer(s) and supersedes the more general Inclusion I5 (Static or Dynamic Reactive Power Devices). Reactive Power devices installed for the sole benefit of a retail customer are, by definition, not required for operation of the interconnected transmission system.
3. Exclusion E3 (Local Networks) provides for the exclusion of local networks that meet the specific criteria identified in the exclusion language. Exclusion E3 does not allow for the exclusion of Real Power and Reactive Power resources captured by Inclusions I2 through I5. In instances where a transformer (under Inclusion I1) is an Element of a local network (under Exclusion E3), the transformer would be excluded pursuant to Exclusion E3. Exclusion E3 may not be used to exclude transmission Elements (captured by the core definition and Inclusion I1) when Real Power resources are present that are captured by Inclusion I2, I3, or I4. This assures that interconnection facilities for BES generators are not excluded.

Formatted: Justified, No bullets or numbering

Formatted: Justified

Formatted: Font: 16 pt, Bold, Font color: Accent 1

Formatted: List Paragraph, Justified, Space Before: 6 pt, Numbered + Level: 1 + Numbering Style: 1, 2, 3, ... + Start at: 1 + Alignment: Left + Aligned at: 0.25" + Indent at: 0.5"

Formatted: List Paragraph, Justified, Space Before: 6 pt, Numbered + Level: 1 + Numbering Style: 1, 2, 3, ... + Start at: 1 + Alignment: Left + Aligned at: 0.25" + Indent at: 0.5"

Formatted: List Paragraph, Justified, Space Before: 6 pt, Numbered + Level: 1 + Numbering Style: 1, 2, 3, ... + Start at: 1 + Alignment: Left + Aligned at: 0.25" + Indent at: 0.5"

Formatted: Border: Top: (Single solid line, Accent 1, 1.5 pt Line width)

4. Exclusion E1 (Radial Systems) provides for the exclusion of transmission Elements from radial systems that meet the specific criteria identified in the exclusion language. Exclusion E1 does not allow for the exclusion of Real Power and Reactive Power resources captured by Inclusions I2 through I5. In instances where a transformer (under Inclusion I1) is an Element of a radial system (under Exclusion E1), the transformer would be excluded pursuant to Exclusion E1. Exclusion E1 may not be used to exclude transmission Elements (captured by the core definition and Inclusion I1) when Real Power resources are present that are captured by Inclusion I2, I3, or I4. This assures that interconnection facilities for BES generators are not excluded.

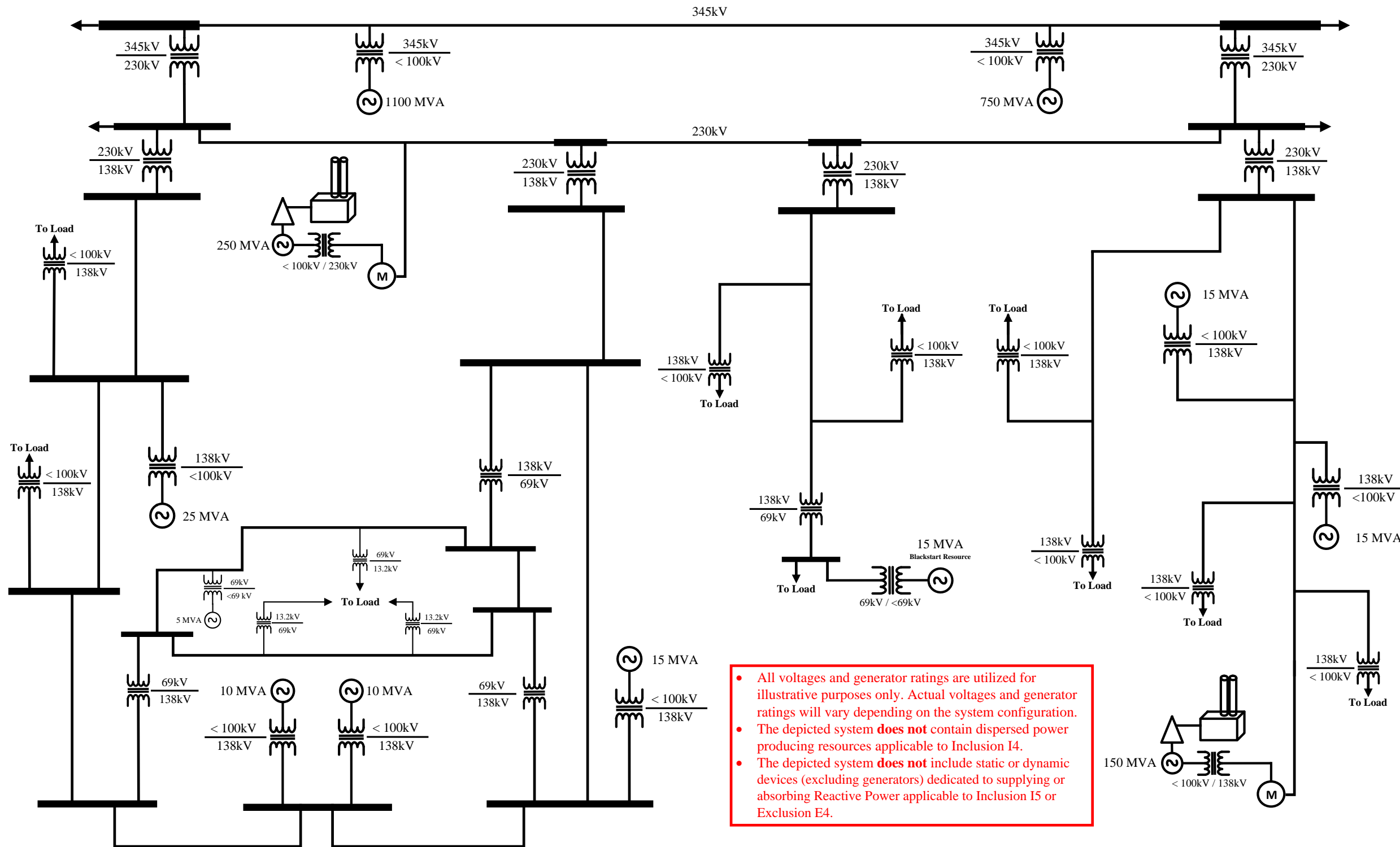
Formatted: List Paragraph, Justified, Space Before: 6 pt, Numbered + Level: 1 + Numbering Style: 1, 2, 3, ... + Start at: 1 + Alignment: Left + Aligned at: 0.25" + Indent at:

Key to diagram color coding:

Formatted: Justified

- **Blue** indicates that an Element is included in the BES.
- **Green** indicates that an Element is not included in the BES.
- **Orange** indicates “points of connection.”
- **Black** indicates Elements that are not evaluated for the specific exclusion depicted in the individual diagrams being shown from Figures S1.1 through S1.11.

Formatted: Border: Top: (Single solid line, Accent 1, 2.25 pt Line width)



- All voltages and generator ratings are utilized for illustrative purposes only. Actual voltages and generator ratings will vary depending on the system configuration.
- The depicted system **does not** contain dispersed power producing resources applicable to Inclusion I4.
- The depicted system **does not** include static or dynamic devices (excluding generators) dedicated to supplying or absorbing Reactive Power applicable to Inclusion I5 or Exclusion E4.

Figure S1-1: System Diagram — Base Diagram

- Formatted: Default Paragraph Font, Font: Calibri
- Formatted: Left
- Formatted: Default Paragraph Font, Font: Calibri
- Formatted: Default Paragraph Font, Font: Calibri
- Formatted: Border: Top: (Single solid line, Accent 1, 2.25 pt Line width)

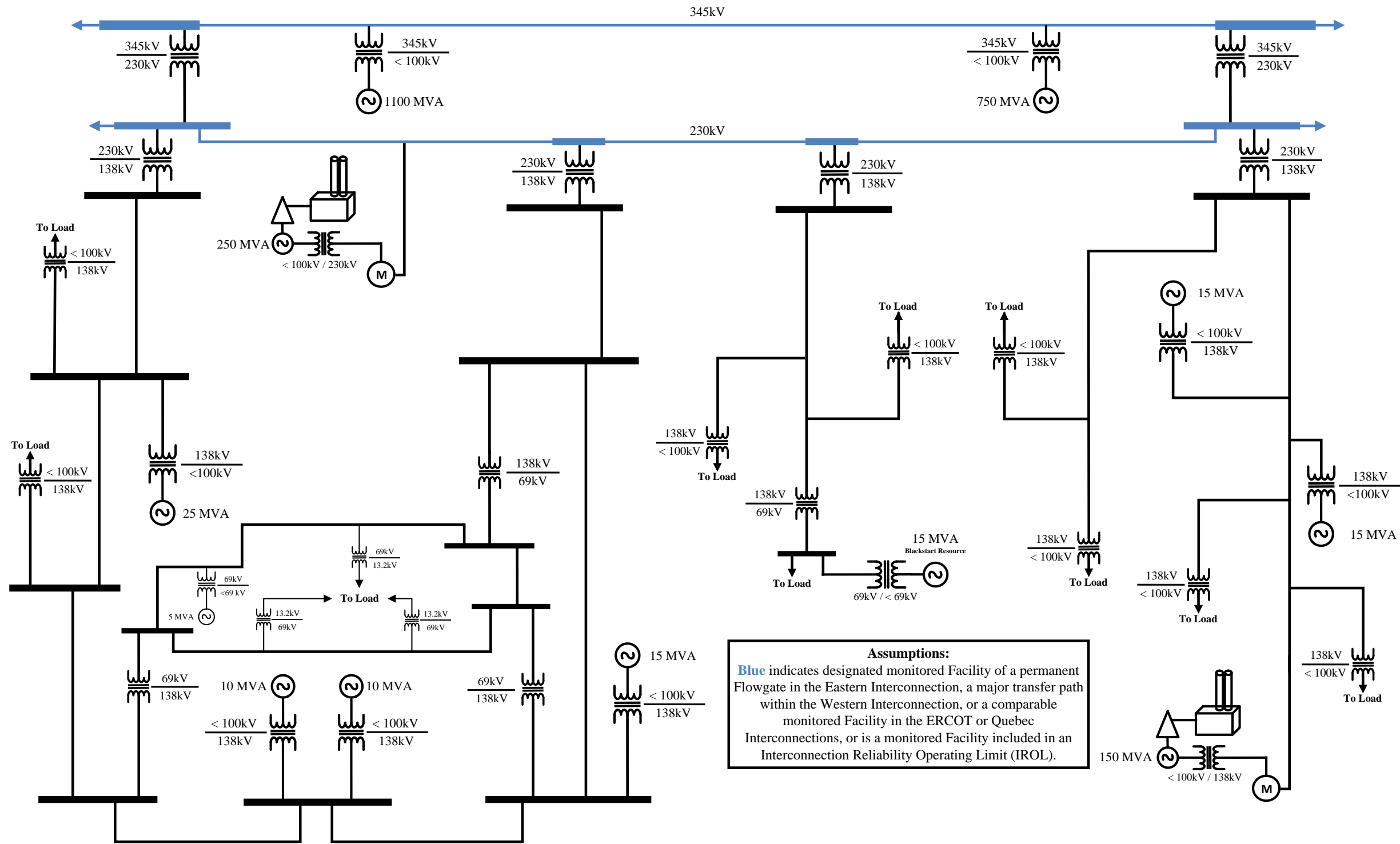


Figure S1_2: System Diagram—Assumptions

Formatted: Font: Not Bold

Formatted: Caption

Formatted: Border: Top: (Single solid line, Accent 1, 2.25 pt Line width)

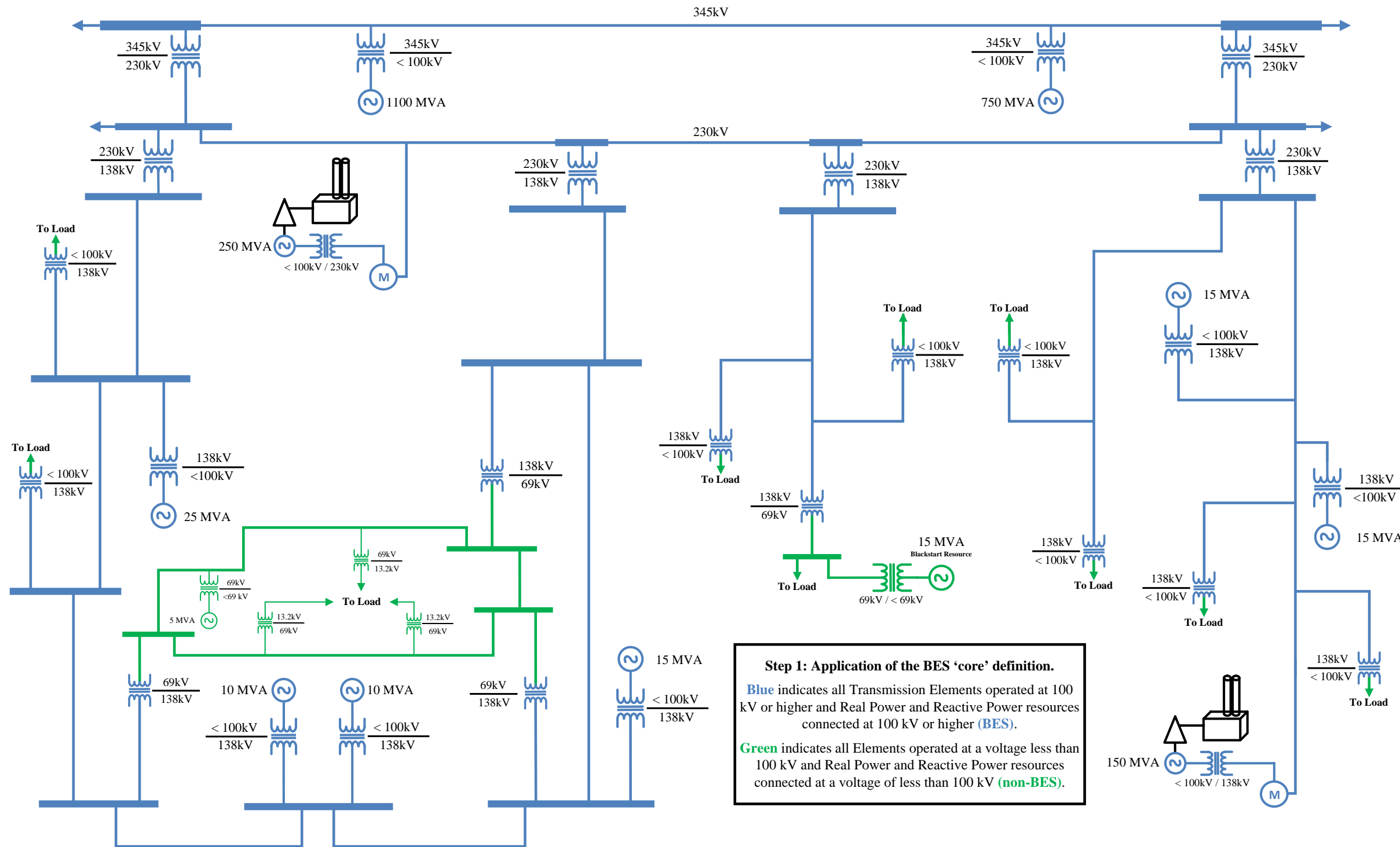


Figure S1-3: System Diagram — Application of 'Core' Definition

Formatted: Border: Top: (Single solid line, Accent 1, 2.25 pt Line width)

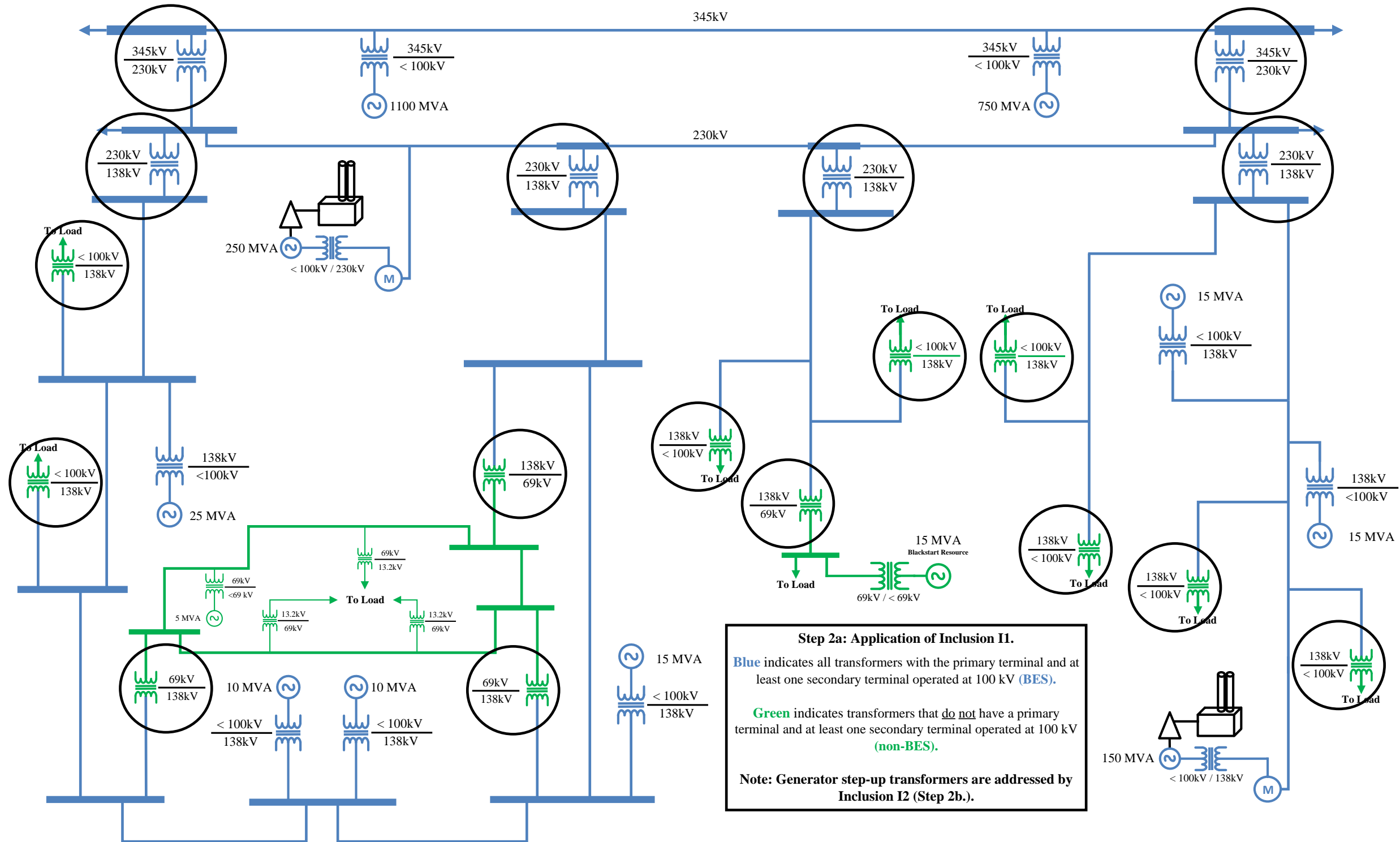


Figure S1-4: System Diagram—Application of Inclusion I1

Formatted: Caption

Formatted: Border: Top: (Single solid line, Accent 1, 2.25 pt Line width)

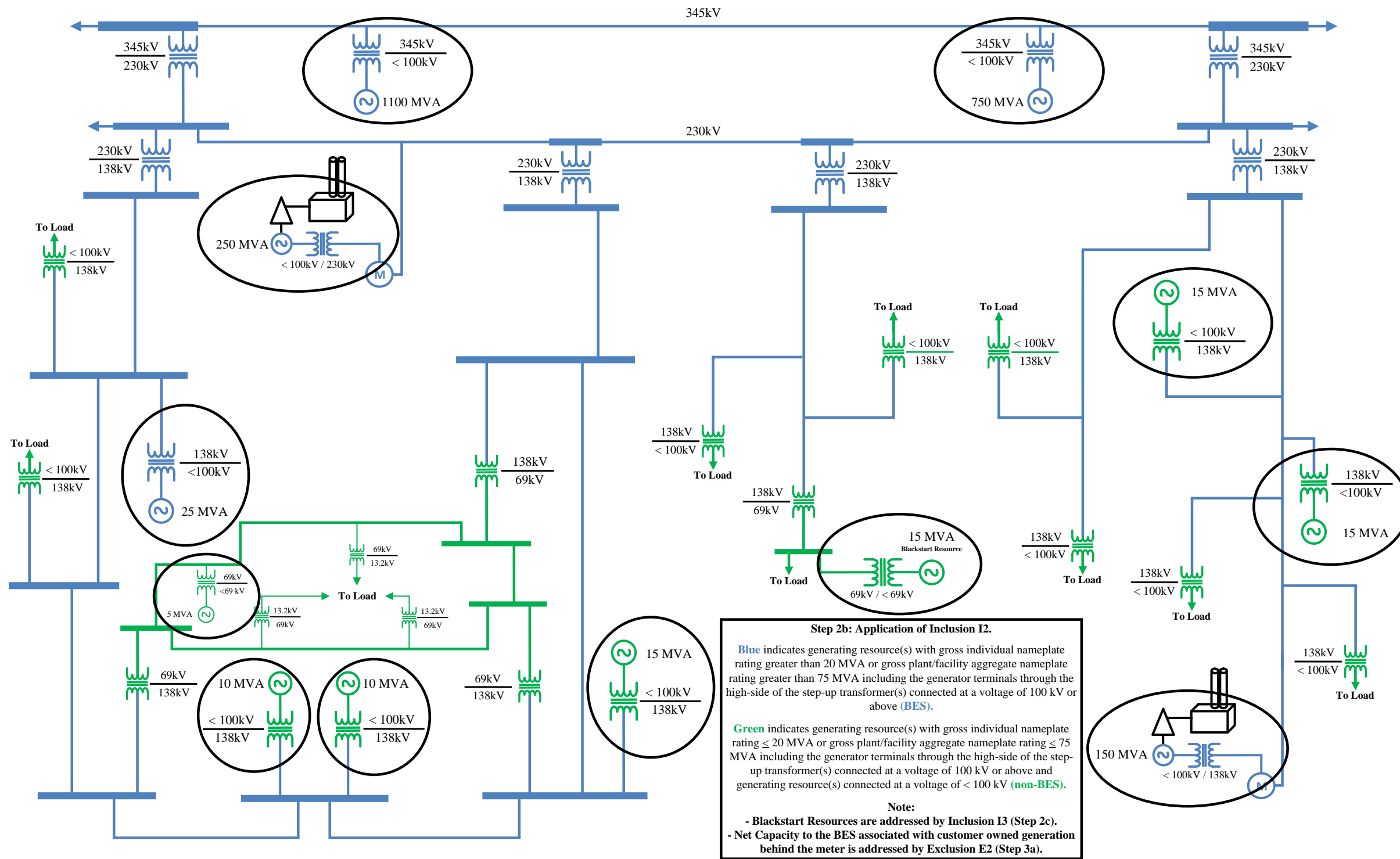


Figure S1-5: System Diagram—Application of Inclusion I2

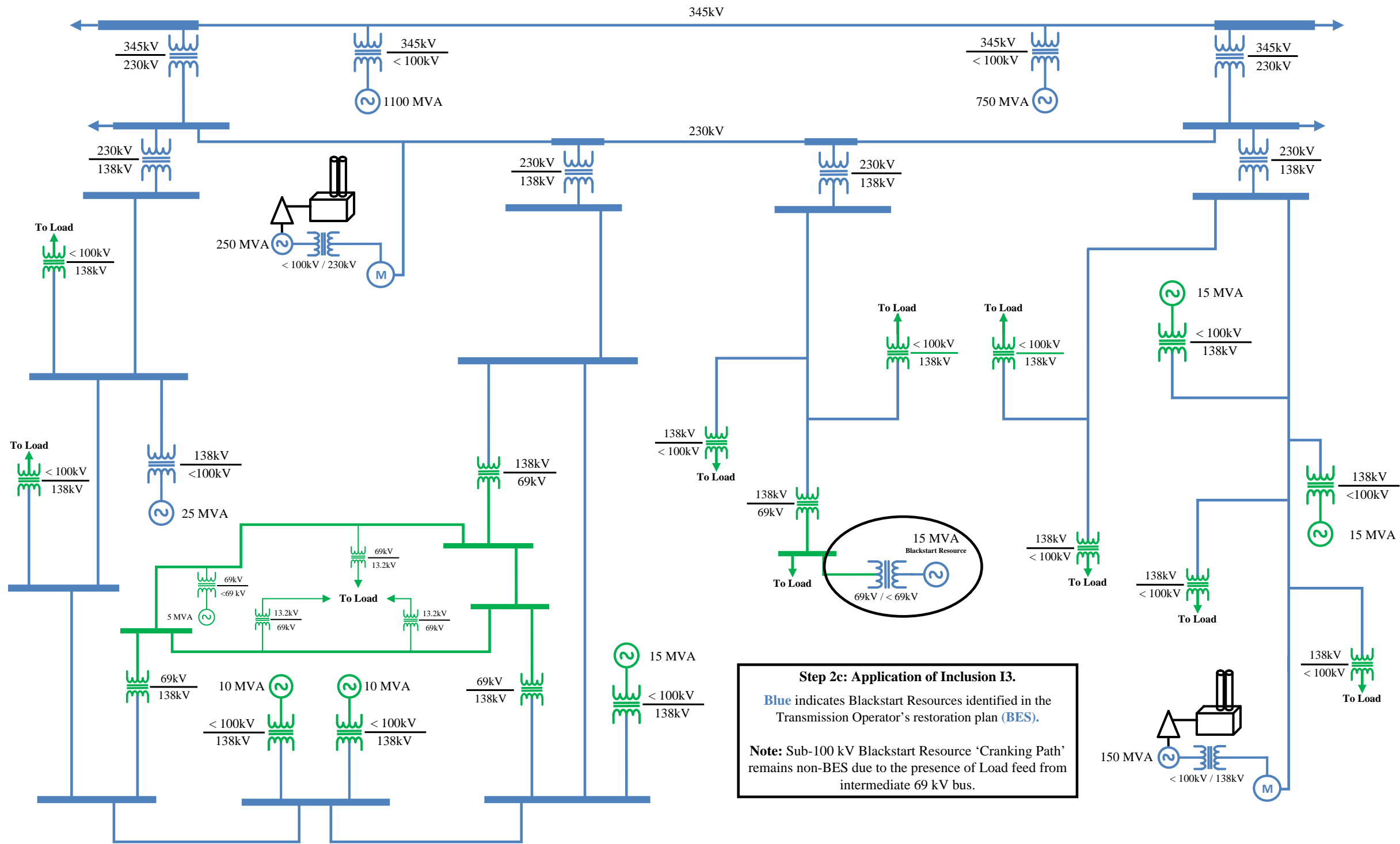


Figure S1.6: System Diagram—Application of Inclusion I3

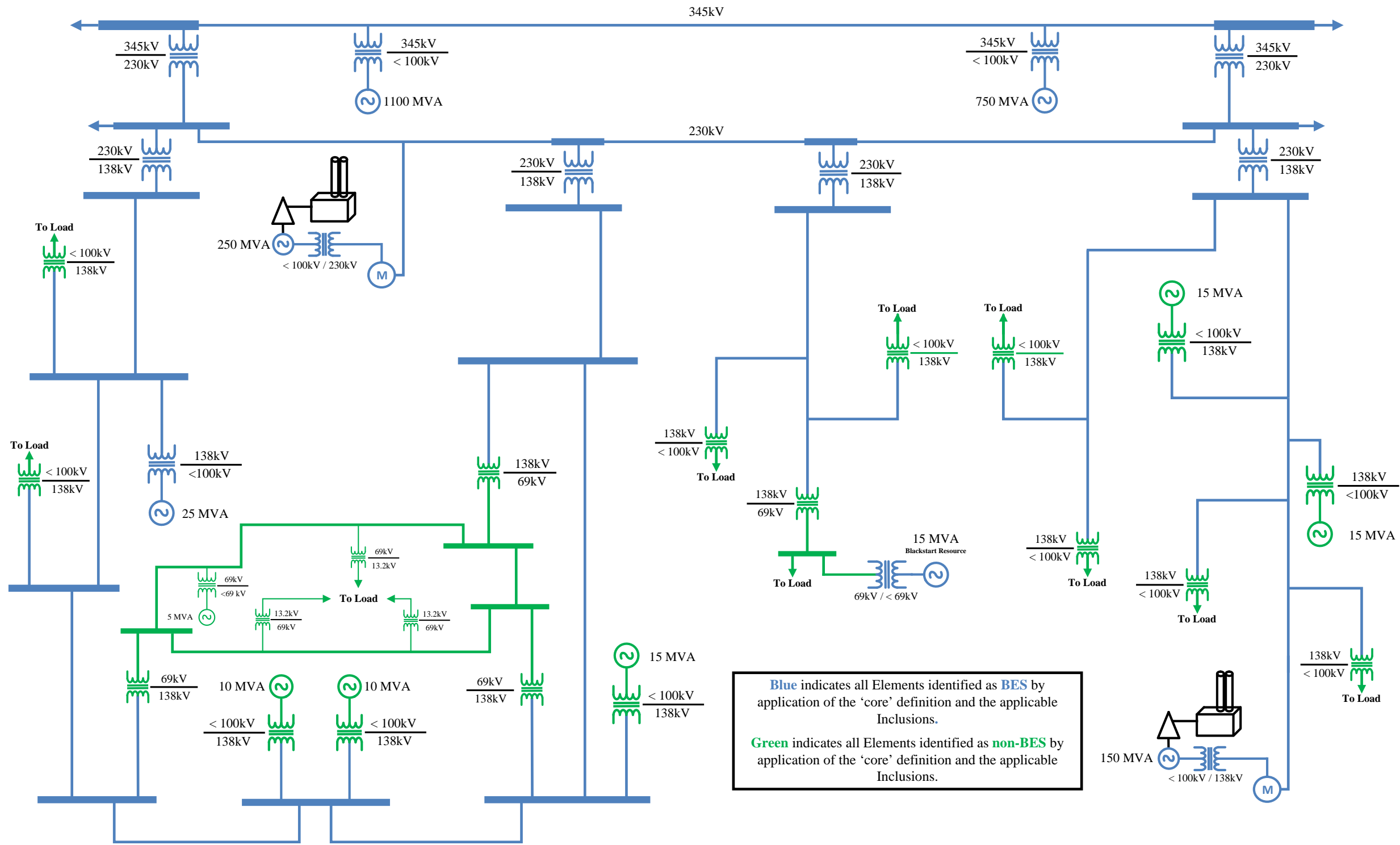


Figure S1-7: System Diagram—Application of 'Core' Definition and Inclusions

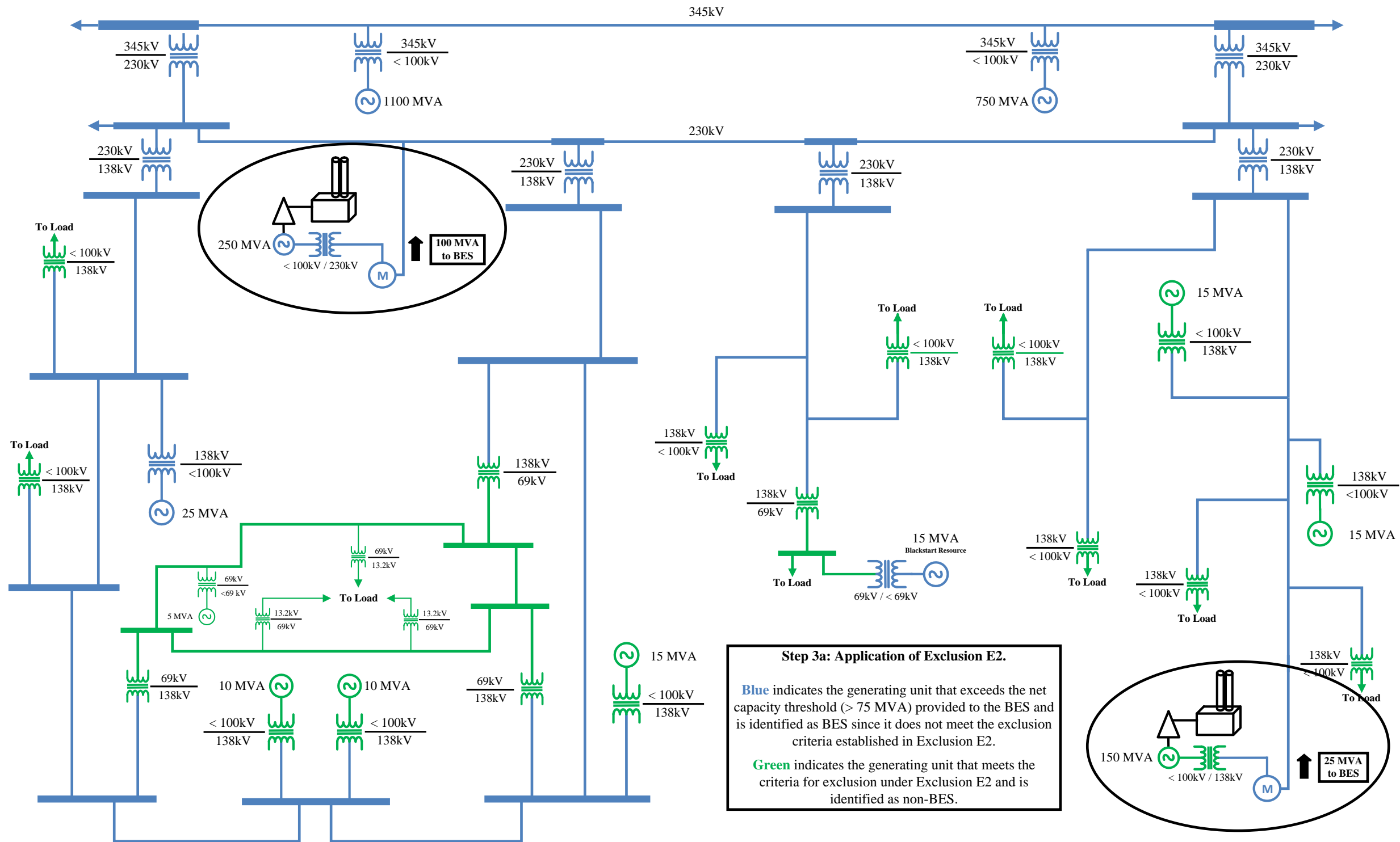


Figure S1-8: System Diagram—Application of Exclusion E2

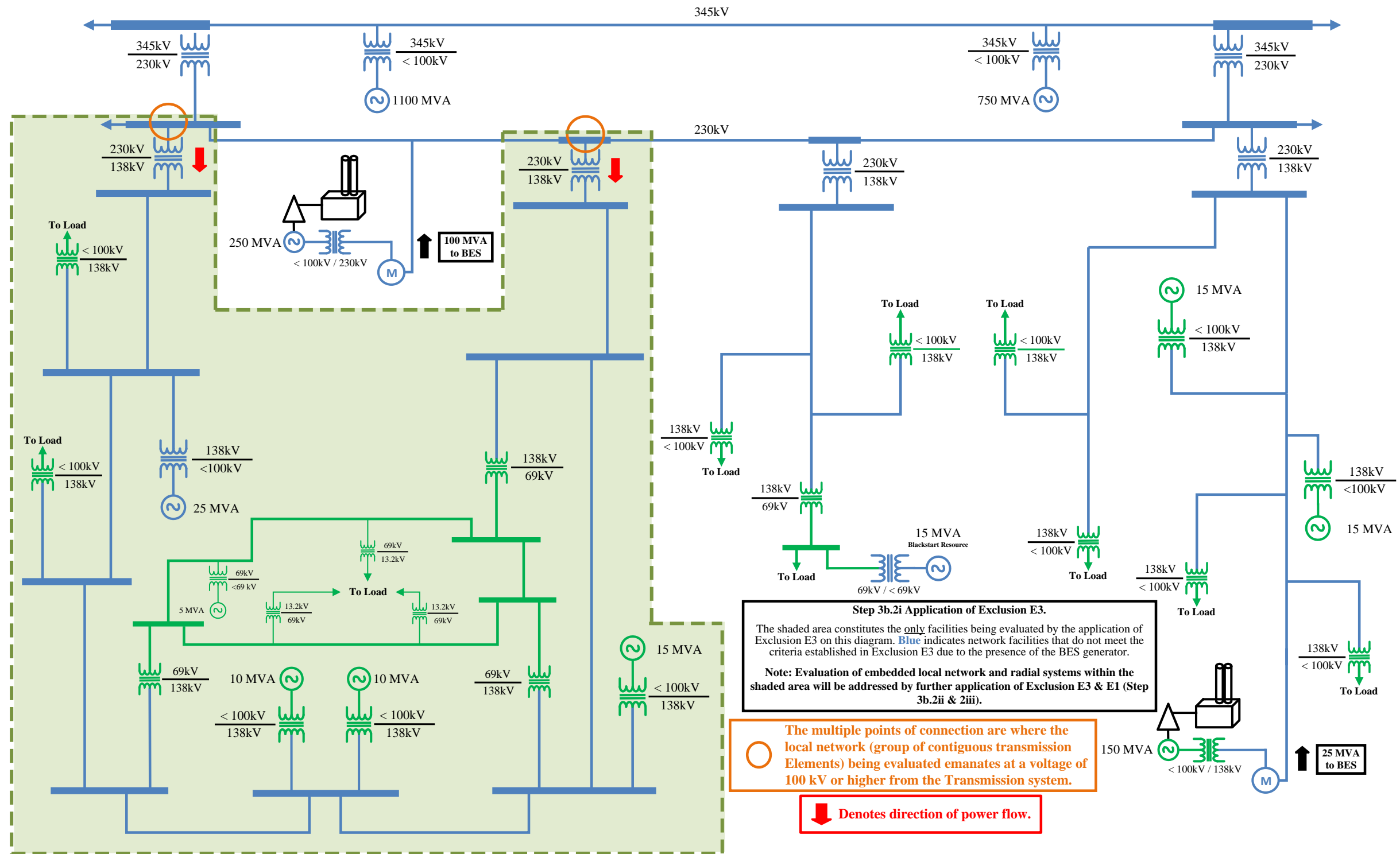


Figure S1_9: System Diagram—Application of Exclusion E3

Formatted: Normal
 Formatted: Border: Top: (Single solid line, Accent 1, 2.25 pt Line width)

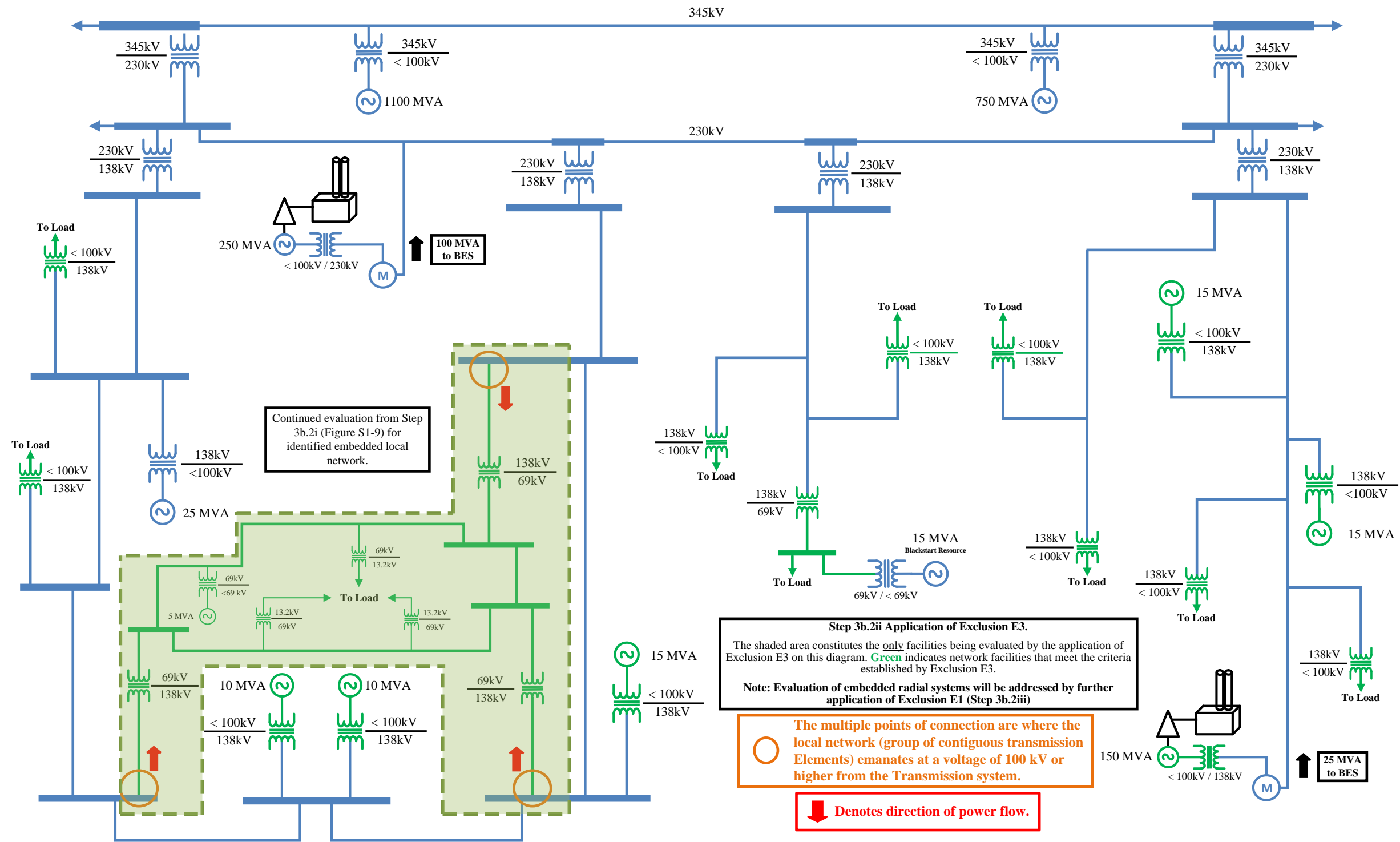


Figure S1-9a: System Diagram—Application of Exclusion E3 (Embedded Local Network)

Formatted: Caption

Formatted: Border: Top: (Single solid line, Accent 1, 2.25 pt Line width)

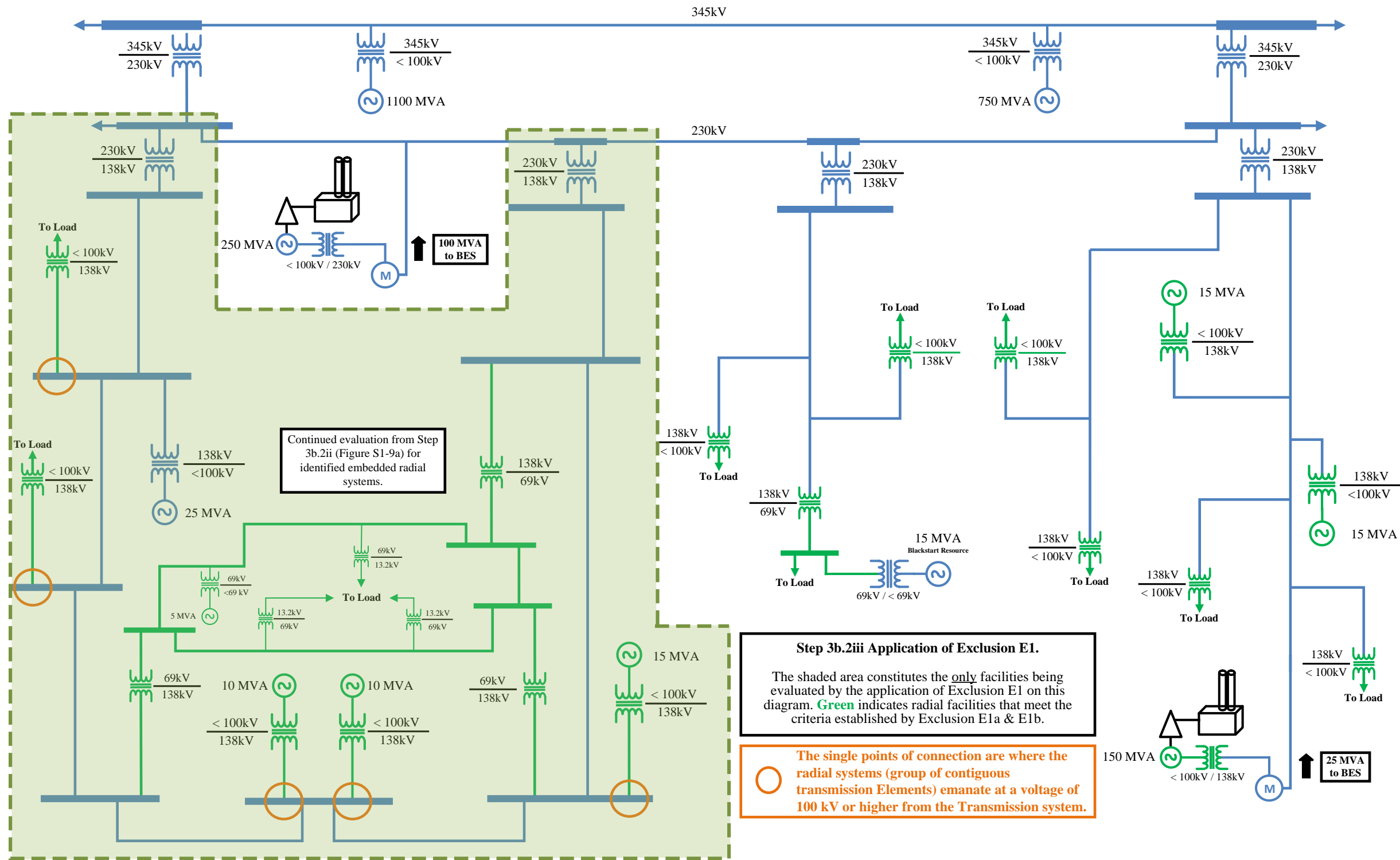


Figure S1-9b: System Diagram—Application of Exclusion E3 (Embedded Radial Systems)

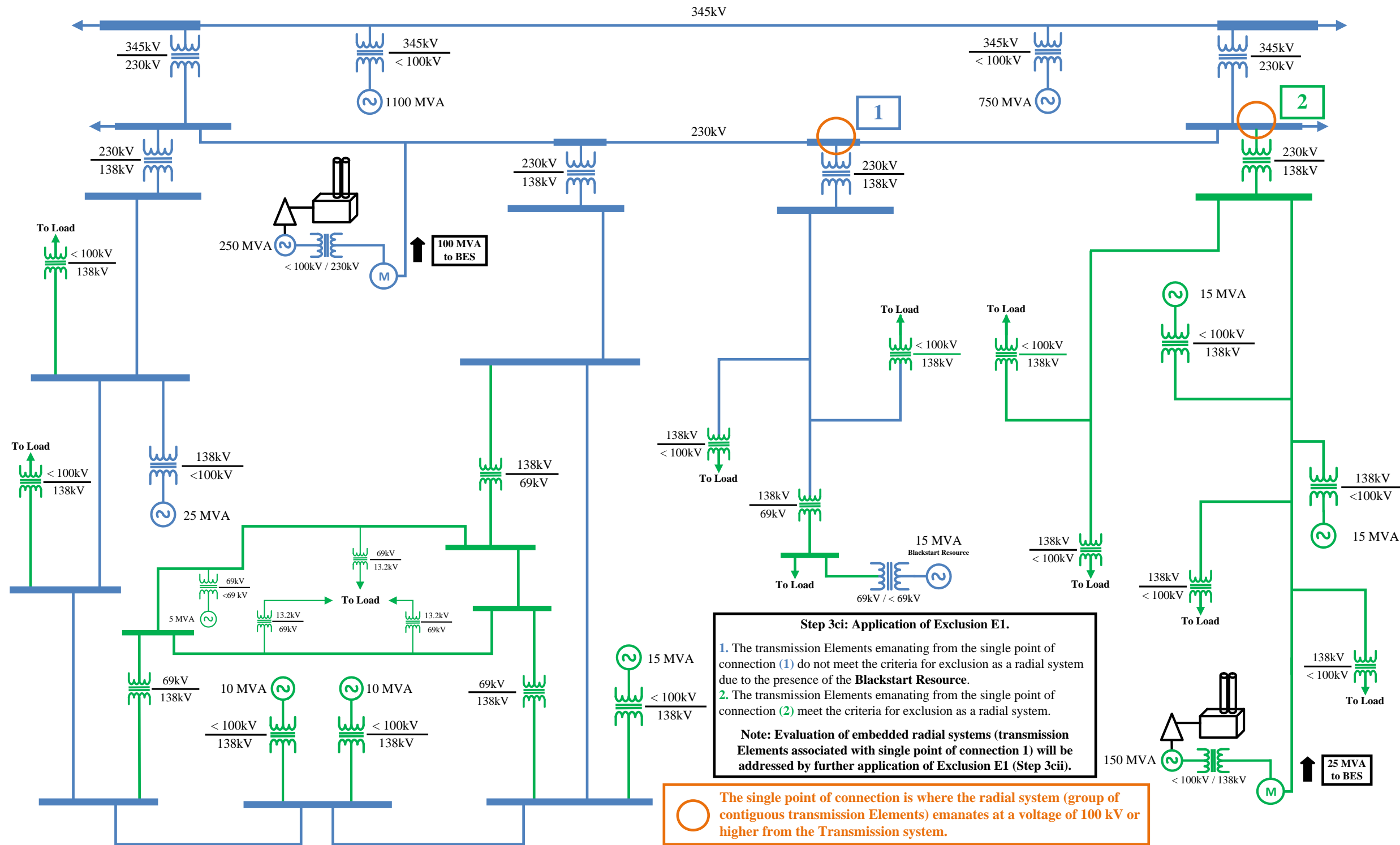


Figure S1_10: System Diagram—Application of Exclusion E1 (Part 1)

Formatted: Border: Top: (Single solid line, Accent 1, 2.25 pt Line width)

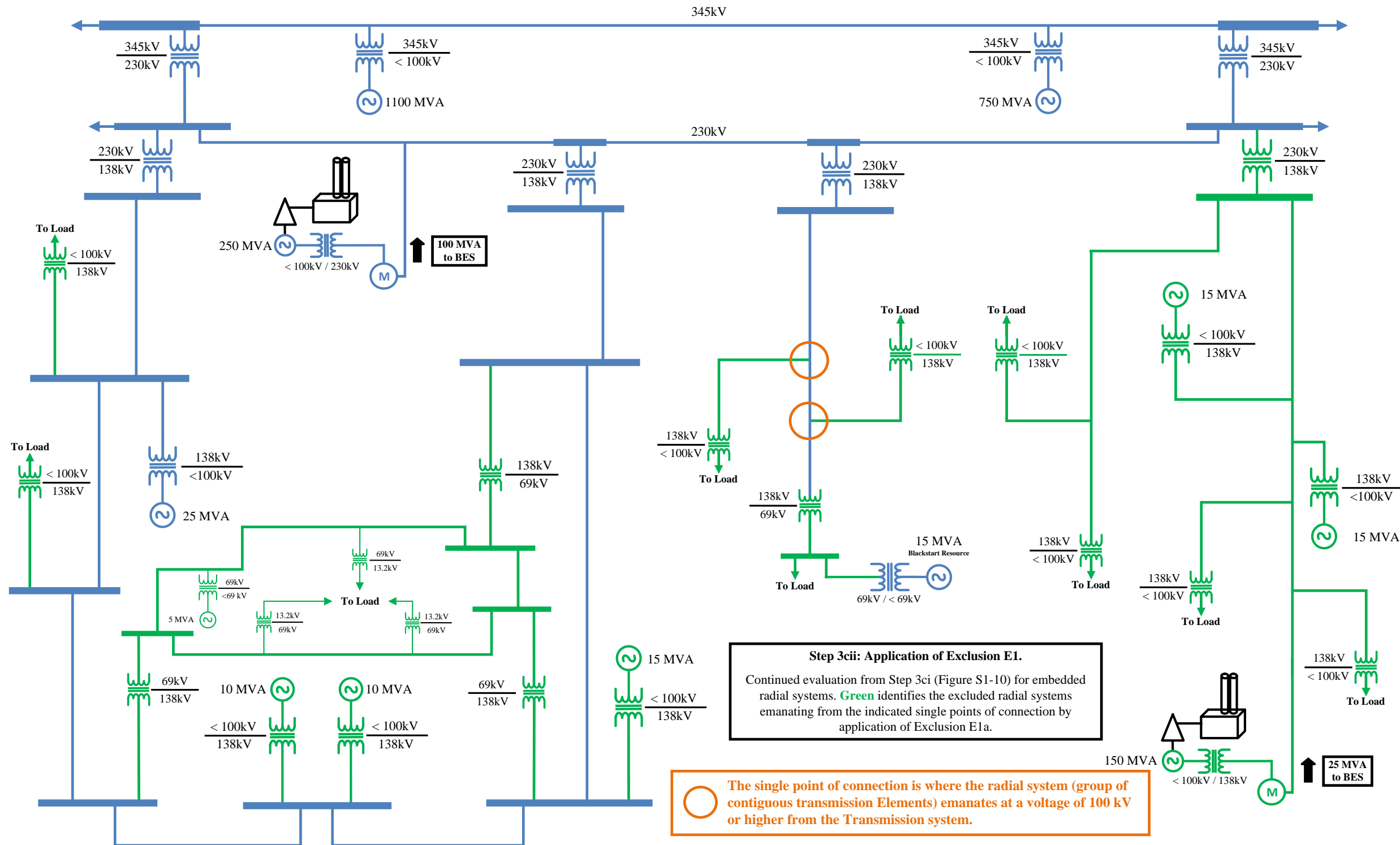


Figure S1-10a: System Diagram—Application of Exclusion E1 (Part 2)

Formatted: Border: Top: (Single solid line, Accent 1, 2.25 pt Line width)

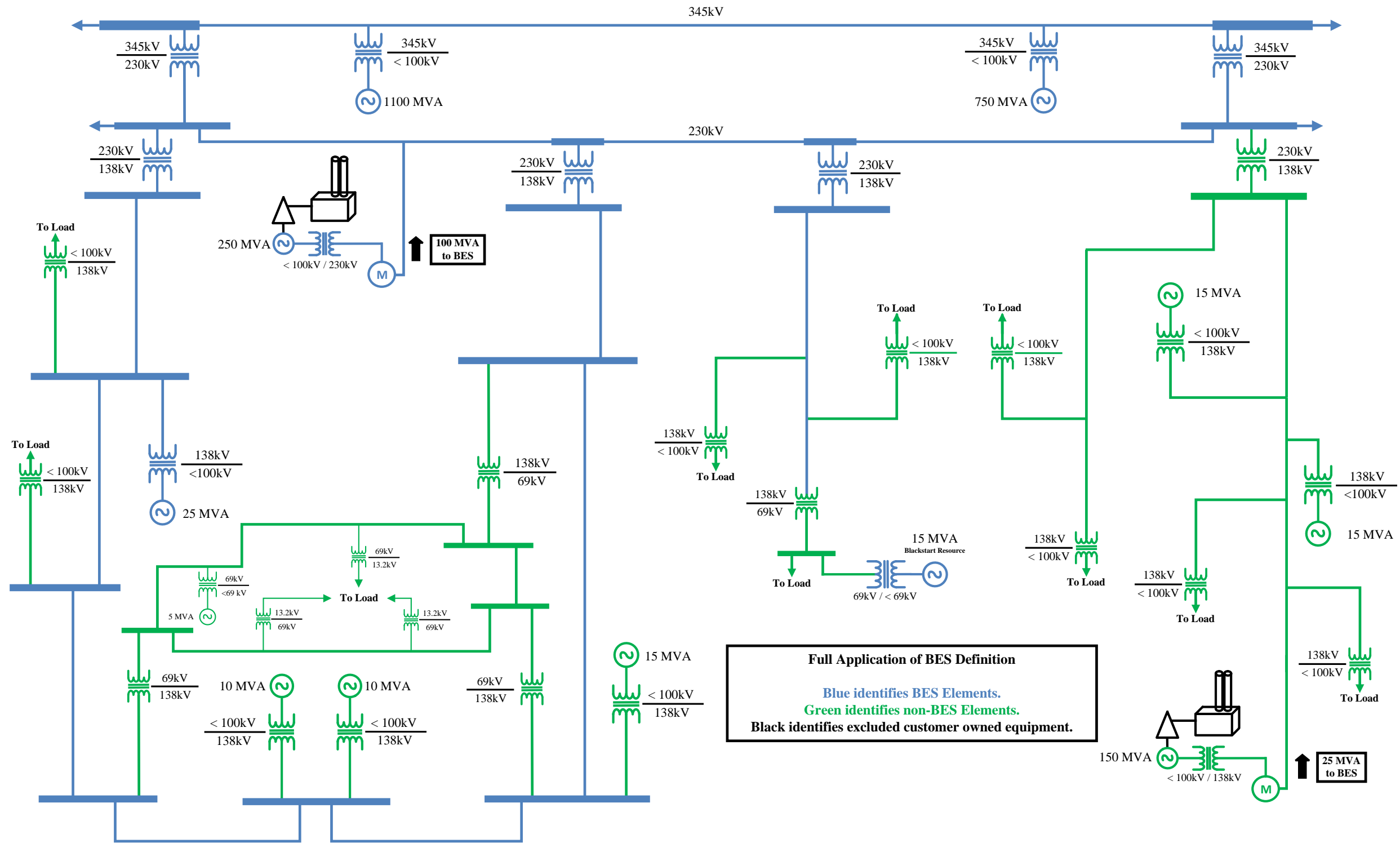


Figure S1-11: System Diagram—Full Application of BES Definition

Chapter 6: Availability of Exception Process

In the event that the BES definition designates an Element as BES that an entity believes is not necessary for the reliable operation of the interconnected Transmission network or designates an Element as non-BES that an entity believes is necessary for the reliable operation of the interconnected Transmission network, the ERO Rules of Procedure exception process may be utilized on a case-by-case basis to either include or exclude an Element.

The exception process can be found in Section 5C of the ERO Rules of Procedure: "Procedure for Requesting and Receiving an Exception from the Application of the NERC Definition of Bulk Electric System."

Formatted: Justified, Space After: 6 pt, No bullets or numbering

Formatted: Justified

Formatted: Font: 16 pt, Bold, Font color: Accent 1

Formatted: Border: Top: (Single solid line, Accent 1, 1.5 pt Line width)

VI. Version History

Version	Date	Action	Change Tracking
1	April 2013	Final Reference Document for Phase 1 BES definition	New
2	April 2014	Updated to reflect definition approved by FERC on March 20, 2014	Revision
3	May 2018	BEPWG updated with revised diagrams and new diagrams based on the initial application of the BES Definition on May 10, 2018	Revision

Formatted: Justified, No bullets or numbering

Formatted: Justified

Formatted Table

Formatted: Justified

Formatted: Justified

Formatted: Justified

Formatted: Justified

Formatted: Justified

Formatted: Justified

Formatted: Justified

Formatted: Justified

Formatted: Justified

Formatted: Justified

Formatted: Justified

Formatted: Justified

Formatted: Justified

Formatted: Border: Top: (Single solid line, Accent 1, 1.5 pt Line width)